

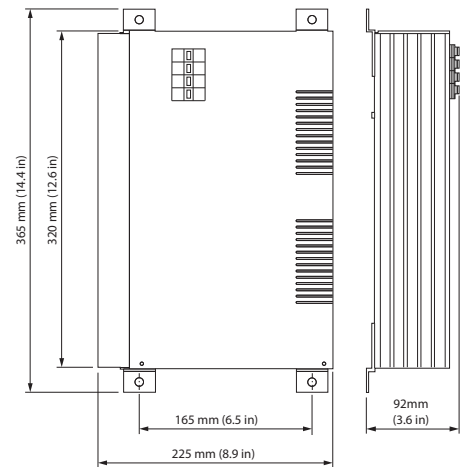


DBC410 Signal Dimmer Controller

Heavy duty driver control

The Philips Dynalite DBC410 is designed for use with electronic dimmable fluorescent drivers, either 1-10V or DSI. It has four heavy duty 10 A relay outputs to switch fluorescent lighting or other loads in a DyNet energy management system.

- Compatible with a range of loads and devices — Including; DSI HF fluorescent drivers, DSI low voltage transformers; 1-10V high frequency fixtures and switched loads.
- Dual control option — Control signals can be operated in tandem with, or separately from, the switched outputs.
- Inbuilt diagnostic functionality — Features Device Online/Offline status indication.
- User controls — Including service override - all channels to 100% and diagnostic status LED.



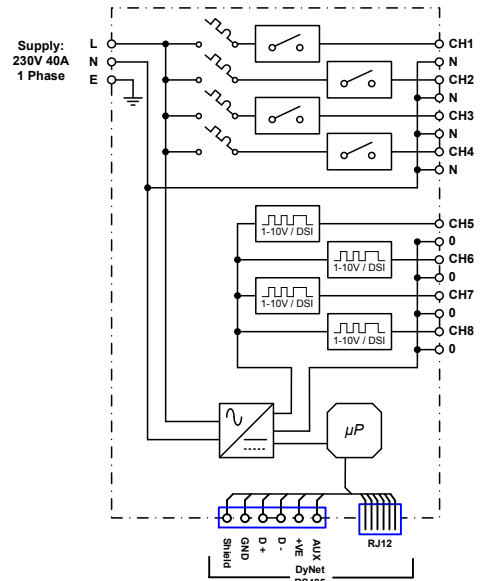
For detailed product information, please refer to the product information pages at www.philips.com/dynalite and follow the links.

Specifications

Due to continuous improvements and innovations, specifications may change without notice.

Item	Specification	Details
Electrical	Input Voltage	230 VAC ± 14% 50 / 60 Hz Single Phase @ 40 A
	DyNet DC Supply	12 V @ 90 mA (supply for approx 4 user interfaces)
	Outputs	4 x switched outputs @ 10 A
	Control Outputs	4 x I-10VDC, 0-10VDC or DSI outputs DSI Mode: 100 DSI drivers per channel I-10 V Mode: 50 mA sink, 50 mA source per channel
	Overload Protection	4 x 10 A 6 kA single pole thermal magnetic circuit breakers
	Switching Device	Relay 16 A nom. (resistive), 165 A surge
	Control	Control Inputs/Outputs
User Controls		Service override switch - all channels to 100% Diagnostic LED
Internal Controls		Programmable Logic Controller
Preset Scenes		170
Diagnostic Functions		Device online/offline status
Physical	Supply Terminals	Line, Neutral 1 x 10 mm ² maximum conductor size Earth Link bar provided
	Output Terminals	Line, Neutral for each channel 2 x 4 mm ² maximum conductor size Earth bar link provided V / DSI, +V / DSI for each channel 1 x 2 mm ² maximum conductor size
	Cable Entries	Mains: One 75 mm x 53 mm removable gland plate Data: One 25 mm dia. knockout
	Dimensions (H x W x D)	320 mm x 225 mm x 92 mm (12.6" x 8.9" x 3.6")
	Packed Weight	4.0 kg
	Construction	Alloy / Steel wall-mount case with epoxy finish
	Operating Conditions	Temperature: 0 to 50° C ambient Humidity: 0 to 95% non-condensing
Storage & Transport	Temperature: -25 to 60° C ambient Humidity: 0 to 90% non-condensing	
Certification	Certification	CE, C-Tick
Options & Ordering	Standard product	DBC410 (Philips 12NC - 913703032009)
	Extra DyNet / DMX512 Port	DBC410-A (Philips 12NC - 913703032109)
	Circuit breaker trip reporting	DBC410-BT (Philips 12NC - 913703032209)
	Neutral disconnect	DBC410-ND (Philips 12NC - 913703032409)

Electrical Diagram



Philips Dyalite
6 / 691 Gardeners Road
Mascot, NSW 2020
Australia
Tel: +61 2 8338 9899
Email: dyalite.info@philips.com
Web: www.philips.com/dyalite

Specifications subject to change without notice. ©WMGD Pty Ltd Trading as Dyalite. Unit 6, 691 Gardeners Road Mascot 2020 Australia. ABN 33 097 246 921. All rights reserved. Dyalite, DyNet and associated logos are the registered trademarks of WMGD Pty Ltd. Not to be reproduced without permission.