



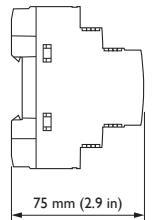
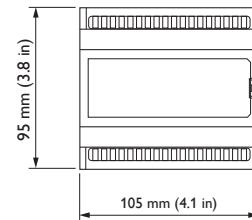
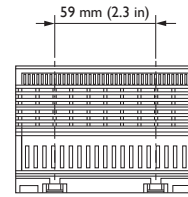
DDBC I20-DALI

MultiMaster DALI Driver Controller

Providing a full universe of 64 DALI addresses

The DDBC I20-DALI delivers cost-effective control of DALI high frequency fluorescent drivers through provision of a full universe of 64 DALI addresses. The device communicates seamlessly with Philips Dynalite DALI user interfaces.

- DALI MultiMaster solution — Compatible with a range of DALI fittings and devices including: DALI HF fluorescent drivers, DALI electronic low voltage transformers, DALI LED fixtures, DALI emergency lighting fixtures and Philips Dynalite DALI user interfaces.
- Fully scalable network solution — Direct mapping from DALI to the Philips Dynalite DyNet network protocol eliminates DALI imposed limits, such as maximum group sizes.
- Dual functionality — Leverage advantages of a true DALI network solution, whilst still allowing full function set of DyNet network control.
- Flexible mounting solution — A DIN-rail mountable device, designed to be installed into the distribution board supplying power to the controlled lighting circuit.
- Integral DALI bus power supply — Removes the need for provision of a separate external power supply and reduces distribution board wiring complexity.
- Inbuilt diagnostic functionality — Features lamp and driver failure reporting, driver run time tracking for each driver, emergency test reporting and Device Online/Offline status indication.



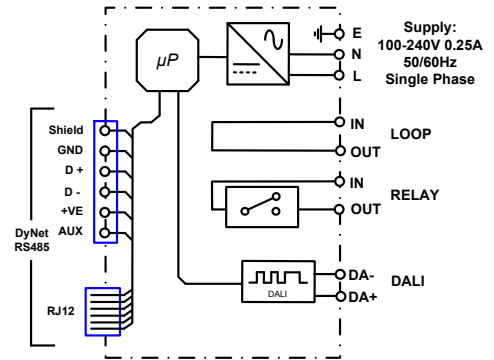
For detailed product information, please refer to the product information pages at www.philips.com/dynalite and follow the links.

Specifications

Due to continuous improvements and innovations, specifications may change without notice.

Item	Specification	Details
Electrical	Input Voltage	100 - 240 VAC 50 / 60 Hz Single Phase @ 0.25 A
	DyNet DC Supply	12 VDC @ 120 mA (supply for approx 6 user interfaces)
	Outputs	1 x DALI control output, supporting one full DALI universe of 64 addresses, including backward channel & communication to Philips Dynalite DALI user interfaces
	Power Relay	1 x feed-through switched circuit rated @ 20 A (500 A surge) for supply to lighting driver
	Bus Power Supply	Inbuilt DALI bus power supply rated 220 mA @ 16 VDC Typical (64 drivers and 10 user interfaces) Current unit maximum 250 mA
Control	DALI Insulation System	Basic
	Control Inputs/Outputs	One RS-485 DyNet serial port One programmable dry contact AUX input
	User Controls	Service switch Diagnostic LED
	Preset Scenes	64
	Diagnostic Functions*	Lamp failure reporting Driver failure reporting Driver run time tracking for each driver and the switched output Emergency test reporting Device online/offline status * EnvisionManager interface required for analyzing diagnostic data. The availability of some diagnostics is dependent on driver type.
Physical	Supply Terminals	Line, Neutral, Earth 1 x 4 mm ² maximum conductor size
	Output Terminals	1 x DALI driver circuit: DA -, DA + 1 x 1.5 mm ² maximum conductor size
	Dimensions (H x W x D)	95 mm x 105 mm x 75 mm (3.8" x 4.1" x 2.9")
	Packed Weight	0.35 kg
	Construction	Polycarbonate DIN-rail enclosure (6 unit)
	Operating Conditions	Temperature: 0 to 40° C ambient Humidity: 0 to 95% non-condensing
	Storage & Transport	Temperature: -25 to 60° C ambient Humidity: 0 to 90% non-condensing
Certification	Certification	CE, C-Tick, IEC62386
Options & Ordering	Standard Product	DDBC120-DALI (Philips 12NC - 913703031609)

Electrical Diagram



Philips Dynalite
6 / 691 Gardeners Road
Mascot, NSW 2020
Australia
Tel: +61 2 8338 9899
Email: dynalite.info@philips.com
Web: www.philips.com/dynalite

Specifications subject to change without notice. ©WMGD Pty Ltd Trading as Dynalite. Unit 6, 691 Gardeners Road Mascot 2020 Australia. ABN 33 097 246 921. All rights reserved. Dynalite, DyNet and associated logos are the registered trademarks of WMGD Pty Ltd. Not to be reproduced without permission.