

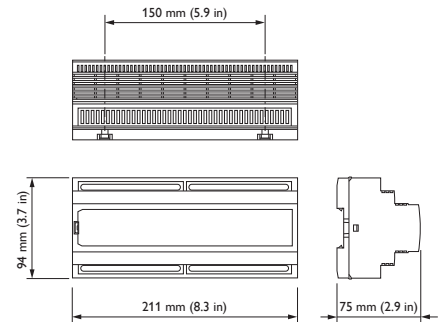


DDMC802GL Multipurpose Modular Controller

Control different load types with one device

The Philips Dynalite DDMC802GL provides eight channels of control, with a maximum load per channel of 2A. The device is available with a variety of output modules to provide control of differing load types. The DDMC802GL can generally be loaded to a total of 10A.

- Single controller solution specifically suited to residential and hotel applications — Control a multitude of load types from one device.
- Trailing edge phase control dimmer module — Suitable for use with most types of dimmable electronic transformers.
- Leading edge phase control dimmer module — Suitable for use with incandescent lamps and some types of dimmable electronic transformers.
- HF driver control module — Suitable for controlling 0-10V and digital drivers and transformers.
- Relay control module — Suitable for controlling most types of switched loads.
- Fan control module — 400 VA fan control module.
- Curtain control module — Provides control of curtains, blinds and other window treatments.
- Flexible mounting solution — A DIN-rail mountable device, designed to be installed into the distribution board supplying power to the controlled circuit.



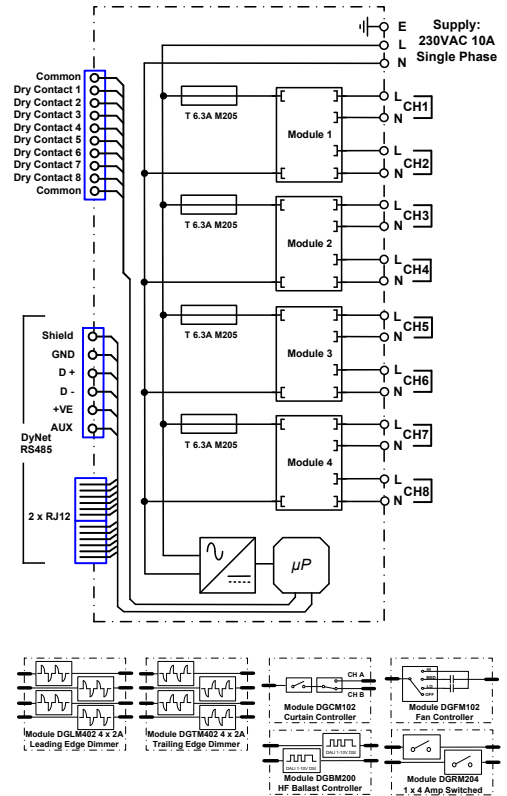
For detailed product information, please refer to the product information pages at www.philips.com/dynalite and follow the links.

Specifications

Due to continuous improvements and innovations, specifications may change without notice.

Item	Specification	Details		
Electrical	Input Voltage	230 V ±14% 50 / 60 Hz Single Phase @ 10 A		
	DyNet DC Supply	12 V @ 120 mA (supply for approx 6 user interfaces)		
Electrical	Outputs	8 x output slots @ 2 A each. Maximum device load 10 A Some modules occupy 2 slots. Available modules include: DGBM200 : 2 channel; DALI Broadcast, 1-10 V or digital HF driver control. Occupies 1 slot DGCM102 : 1 channel 2 A SPDT curtain control. Occupies 1 slot DGFM102 : 1 channel 400 VA fan control. Occupies 1 slot DGLM402 : 4 channel 2 A Leading Edge dimmer. Maximum module load 5 A. Regulating device: Triac 20 A, 600 V. Occupies 2 slots DGLM105 : 1 channel 5 A Leading Edge dimmer. Regulating device: Triac 20 A, 600 V. Occupies 2 slots DGRM204 : 2 channel 4 A relay. Switching device: Relay, 16 A, TV5, 100 A surge. Occupies 1 slot DGLEDM401 : 4 channel 1 A mains rated LED analogue dimmer. MOSFETs 25 A, 500 V, 62 A surge. Occupies 2 slots DGTM402 : 4 channel 2 A Trailing Edge dimmer. Maximum module load 4 A. Regulating device: MOSFETs 25 A, 500 V, 62 A surge. Occupies 2 slots DGTM105 : 1 channel 5 A Trailing Edge dimmer. Regulating device: MOSFETs 25 A, 500 V, 62 A surge. Occupies 2 slots		
		Control Inputs/Outputs	One DMX512 / RS-485 DyNet serial port Eight programmable dry contact AUX input	
		User Controls	Service switch Diagnostic LED	
		Preset Scenes	170	
		Diagnostic Functions	Circuit run time tracking on each channel Device online/offline status	
		Physical	Supply Terminals	Line, Neutral, Earth 2 x 2.5mm ² or 1 x 4 mm ² conductor size
			Output Terminals	Channel, Common for each channel 2 x 2.5mm ² or 1 x 4 mm ² conductor size
			Dry Contact Input Terminals	1 x 10 pole removable terminal socket PTR item code: AK950/10-5-0-GREEN
			Dimensions (H x W x D)	94 mm x 211 mm x 75 mm (3.7" x 8.3" x 2.9")
			Packed Weight	0.94 kg
Construction	Polycarbonate DIN-rail enclosure (12 unit)			
Operating Conditions	Temperature: -0 to 40° C ambient Humidity: 0 to 95% non-condensing			
Storage & Transport	Temperature: -25 to 70° C ambient Humidity: 0 to 90% non-condensing			
Certification	Certification	CE, C-Tick		
Options & Ordering	Standard Product	DDMC802GL (Philips I2NC - 913703026009)		

Electrical Diagram



Philips Dyalite
6 / 691 Gardeners Road
Mascot, NSW 2020
Australia
Tel: +61 2 8338 9899
Email: dyalite.info@philips.com
Web: www.philips.com/dyalite

Specifications subject to change without notice. ©WMGD Pty Ltd Trading as Dyalite. Unit 6, 691 Gardeners Road Mascot 2020 Australia. ABN 33 097 246 921. All rights reserved. Dyalite, DyNet and associated logos are the registered trademarks of WMGD Pty Ltd. Not to be reproduced without permission.