

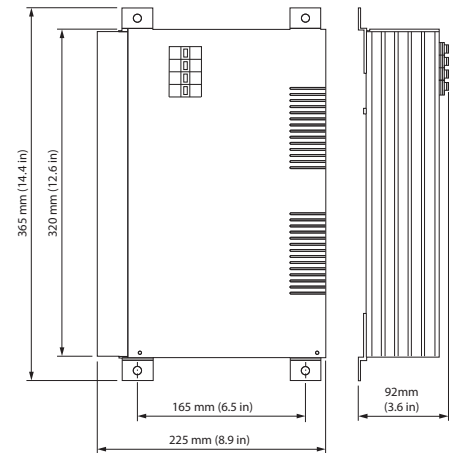


## DLE405 Leading Edge Dimmer Controller

### Dimming control for retail and hospitality applications

The DLE405 is a four channel leading edge dimmer controller with a maximum load per channel of 5A. It is suitable for use with incandescent and neon light sources, as well as iron core and leading edge electronic transformers.

- Suitable for small retail and hospitality applications — Provides robust control in situations where a small number of lighting circuits require control.
- Interference suppression — Iron powder core toroidal choke lessens effects of interference from other equipment, such as transformers.
- Naturally ventilated — Requires no forced cooling or maintenance.
- Soft start and voltage regulation technologies — Protects lamps from over voltage and dramatically improves lamp life, reducing maintenance costs.
- Diagnostic functionality — Device Online/Offline status reporting.
- User controls — Incorporates service override switch - all channels to 100% and a diagnostic LED.
- Options available — Including an additional RS485 DyNet/DMX512 port, circuit breaker trip reporting, neutral disconnect breakers or earth leakage and overload protection on each channel.



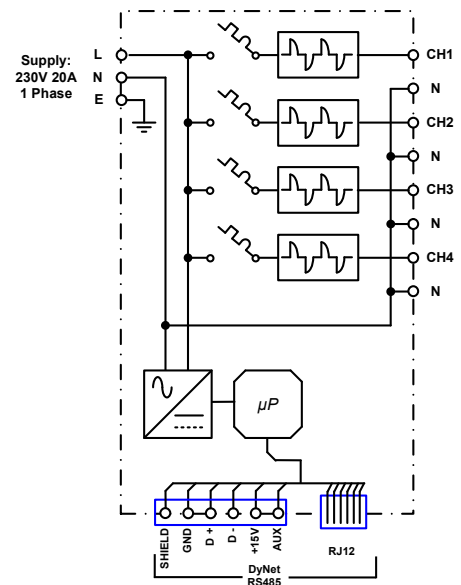
For detailed product information, please refer to the product information pages at [www.philips.com/dynamalite](http://www.philips.com/dynamalite) and follow the links.

## Specifications

Due to continuous improvements and innovations, specifications may change without notice.

Item	Specification	Details
Electrical	Input Voltage	230 VAC $\pm$ 14% 50 / 60 Hz Single Phase @ 20 A
	DyNet DC Supply	12 VDC @ 120 mA (supply for approx 6 user interfaces)
	Outputs	4 x dimmed outputs leading edge phase control @ 5 A.
	Protection	4 x 6 A 6 kA single pole thermal magnetic circuit breakers
	Regulating Device	Triac - 40 A nom., 600 V, 400 A surge
	Power Conditioning	Regulated outputs Over voltage protection Surge protection Brownout / Sag protection Spike protection Soft start 16 bit fade resolution (65,536 steps)
	Interference Suppression	Iron powder toroidal choke
Control	Control Inputs/Outputs	One RS-485 DyNet serial port One programmable dry contact AUX input
	User Controls	Service override switch - all channels to 100% Diagnostic LED
	Preset Scenes	170
	Diagnostic Functions	Device online/offline status
Physical	Supply Terminals	Line, Neutral 2 x 4 mm <sup>2</sup> max conductor size
	Output Terminals	Line, Neutral for each channel 2 x 4 mm <sup>2</sup> max conductor size Earth link bar provided
	Cable Entries	Mains - 1 x 75 mm x 53 mm removable gland plate Data - 1 x 25 mm dia. knockout
	Cooling System	Naturally ventilated, no forced cooling, no maintenance
	Dimensions (H x W x D)	320 mm x 225 mm x 92 mm (12.6" x 8.9" x 3.6")
	Packed Weight	4.2 kg
	Construction	Alloy / Steel wall mount case with epoxy finish
	Operating Conditions	Temperature: -0 to 40° C ambient Humidity: 0 to 95% non-condensing
Storage & Transport	Temperature: -25 to 60° C ambient Humidity: 0 to 90% non-condensing	
Certification	Certification	CE, C-Tick
Options & Ordering	Standard Product	DLE405 (Philips 12NC - 913703004009)
	Extra DyNet / DMX512 Port	DLE405-A (Philips 12NC - 913703004109)
	Circuit breaker trip reporting	DLE405-BT (Philips 12NC - 913703004209)
	Neutral disconnect breakers	DLE405-ND (Philips 12NC - 913703004409)

## Electrical Diagram



Philips Dynalite  
6 / 691 Gardeners Road  
Mascot, NSW 2020  
Australia  
Tel: +61 2 8338 9899  
Email: [dynalite.info@philips.com](mailto:dynalite.info@philips.com)  
Web: [www.philips.com/dynalite](http://www.philips.com/dynalite)

Specifications subject to change without notice. ©WMGD Pty Ltd Trading as Dynalite. Unit 6, 691 Gardeners Road Mascot 2020 Australia. ABN 33 097 246 921. All rights reserved. Dynalite, DyNet and associated logos are the registered trademarks of WMGD Pty Ltd. Not to be reproduced without permission.