

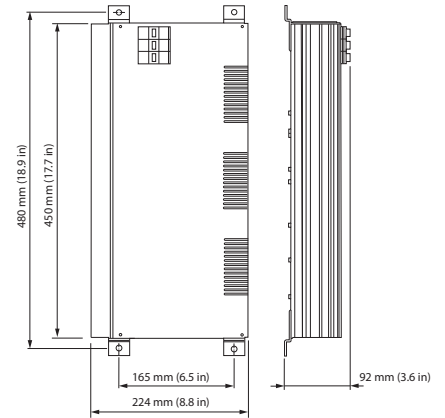


DRC1205 Relay Controller

Robust control of switched loads

The Philips Dynalite DRC1205 is a 12 channel relay controller, featuring a maximum of 5A per channel. It is used for switching both lighting and non-lighting loads.

- Minimize peak demand current — In areas where it is beneficial to sequentially switch on large lighting loads, such as factories and indoor sporting arenas, the devices can be programmed to stagger the switching process.
- Service override switch — Incorporated as standard, forces all channels to 100%.
- Inbuilt diagnostic functionality — Features Device Online/Offline status indication.
- Internal controls — Philips Dynalite accessory module enabled for optional additional functionality. Includes programmable logic controller capable of comprehensive conditional and sequential logic and arithmetic function processing.
- Options available — Including an additional RS-485 DyNet/DMX512 port and combined MCB and RCD protection.



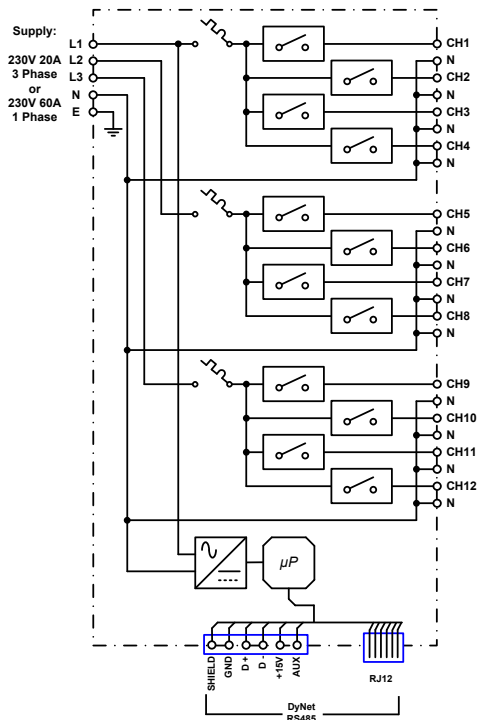
For detailed product information, please refer to the product information pages at www.philips.com/dynalite and follow the links.

Specifications

Due to continuous improvements and innovations, specifications may change without notice.

Item	Specification	Details
Electrical	Input Voltage	230 VAC 50 / 60 Hz 3 Phase Δ @ 20 A per phase or; 230 VAC \pm 14% 50 / 60 Hz Single Phase @ 60 A
	DyNet DC Supply	12 V @ 120 mA (supply for approx 6 user interfaces)
	Outputs	12 x switched outputs @ 5A
	Protection	3 x 20 A 6 kA single pole thermal magnetic circuit breakers
	Switching Device	Relay 10 A nom. (resistive)
Control	Control Inputs/Outputs	One RS-485 DyNet serial port One programmable dry contact AUX input
	User Controls	Service override switch - all channels to 100% Diagnostic LED
	Internal Controls	Programmable Logic Controller Philips Dynalite Accessory Module enabled
	Preset Scenes	120
	Diagnostic Functions	Device online/offline status
Physical	Supply Terminals	L1, L2, L3 1 x 10 mm ² maximum conductor size
	Output Terminals	Line, Neutral for each channel 2 x 4 mm ² maximum conductor size Earth Link bar provided
	Cable Entries	Mains - 1 x 75 mm x 53 mm removable gland plate Data: 1 x 25 mm dia. knockout
	Dimensions (H x W x D)	450 mm x 224 mm x 92 mm (17.7" x 8.8" x 3.6")
	Packed Weight	4.8 kg
	Construction	Alloy / Steel wall-mount case with epoxy finish
	Operating Conditions	Temperature: 0 to 50° C ambient Humidity: 0 to 95% non-condensing
Storage & Transport	Temperature: -25 to 60° C ambient Humidity: 0 to 90% non-condensing	
Certification	Certification	CE, C-Tick
Options & Ordering	Standard Product Extra DyNet / DMX512 Port	DRC1205 (Philips 12NC 913703054009) DRC1205-A (Philips 12NC 913703054109)

Electrical Diagram



Philips Dynalite
6 / 691 Gardeners Road
Mascot, NSW 2020
Australia
Tel: +61 2 8338 9899
Email: dynalite.info@philips.com
Web: www.philips.com/dynalite

Specifications subject to change without notice. ©WMGD Pty Ltd Trading as Dynalite. Unit 6, 691 Gardeners Road Mascot 2020 Australia. ABN 33 097 246 921. All rights reserved. Dynalite, DyNet and associated logos are the registered trademarks of WMGD Pty Ltd. Not to be reproduced without permission.