

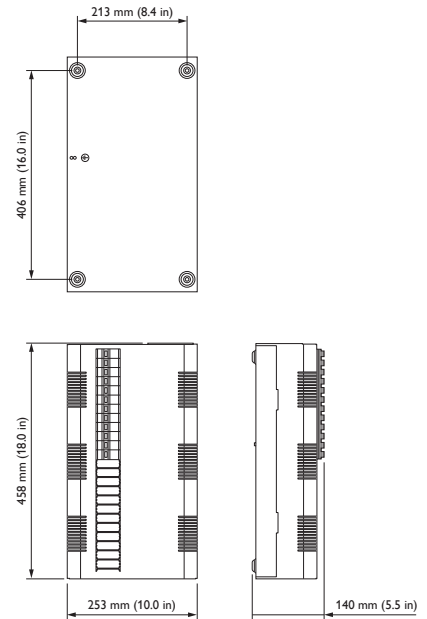


DRC1210 Relay Controller

Heavy-duty switching of lighting and non-lighting loads

The Philips Dynalite DRC1210 is a 12 channel relay controller, featuring a maximum of load of 10A per channel. It is used for switching both lighting and non-lighting loads.

- Minimize peak demand current — In areas where it is beneficial to sequentially switch on large lighting loads, such as factories and indoor sporting arenas, the devices can be programmed to stagger the switching process.
- Service override switch — Incorporated as standard, forces all channels to 100%.
- Inbuilt diagnostic functionality — Features Device Online/Offline status indication.
- Internal controls — Philips Dynalite accessory module enabled for optional additional functionality. Includes programmable logic controller capable of comprehensive conditional and sequential logic and arithmetic function processing.
- Options available — Including an additional RS485 DyNet/DMX512 port or earth leakage and overload protection on each channel.



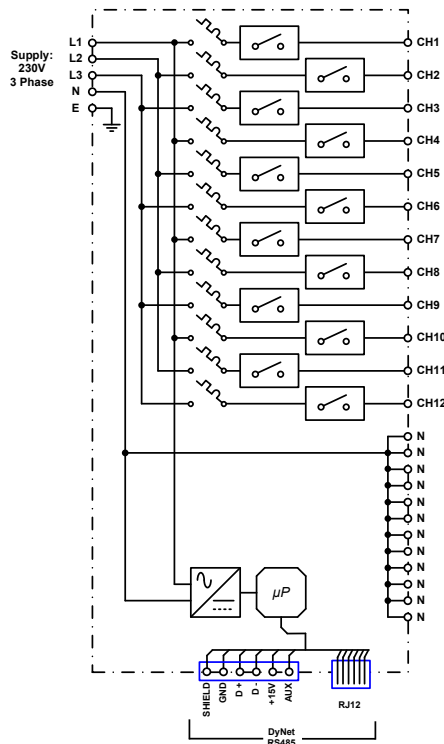
For detailed product information, please refer to the product information pages at www.philips.com/dynalite and follow the links.

Specifications

Due to continuous improvements and innovations, specifications may change without notice.

Item	Specification	Details	
Electrical	Input Voltage	230 VAC ± 14% 50 / 60 Hz Single Phase @ 40 A or; 230 V ± 14% 50 / 60 Hz 3 Phase Δ @ 30 A per phase	
	DyNet DC Supply	12 V @ 200 mA (supply for approx 10 user interfaces)	
	Outputs	12 x switched outputs @ 10 A Maximum device load is 120 A	
	Protection	2 x 10 A 6 kA single pole thermal magnetic circuit breakers	
	Switching Device	Relay 50 A, 230 VAC resistive (5000 W lighting load rated)	
Control	Control Inputs/Outputs	One DMX512 / RS-485 DyNet serial port One programmable dry contact AUX input	
	User Controls	Service override switch - all channels to 100% Diagnostic LED	
	Internal Controls	Programmable Logic Controller	
	Preset Scenes	170	
	Diagnostic Functions	Device online/offline status	
Physical	Supply Terminals	L1, L2, L3, 1 x 16 mm ² maximum conductor size	
	Output Terminals	Line for each channel 1 x 10 mm ² maximum conductor size Neutral Link bar provided Earth Link bar provided	
	Cable Entries	Mains - 4 x 25 mm dia, knockouts mounted on 100 mm x 50 mm removable gland plate Data: 1 x 25 mm dia, knockout Outputs: 6 x 25 mm	
	Dimensions (H x W x D)	Std: 458 mm x 253 mm x 140 mm (18.0" x 10.0" x 5.5") -RCBO: 585 mm x 252 x 126 (23.0" x 9.9" x 5.0")	
	Packed Weight	10.25 kg	
	Construction	Alloy / Steel wall-mount case with epoxy finish	
	Operating Conditions	Temperature: 0 to 50° C ambient Humidity: 0 to 95% non-condensing	
	Storage & Transport	Temperature: -25 to 60° C ambient Humidity: 0 to 90% non-condensing	
	Certification	Certification	CE, C-Tick
	Options & Ordering	Standard Product	DRC1210 (Philips 12NC 913703056009)
Extra DyNet / DMX512 Port (-A)		DRC1210-A (Philips 12NC 913703056109)	
Earth leakage and overload protection on each channel (-RCBO)		DRC1210-RCBO (Philips 12NC 913703056509) Note: Necessitates larger enclosure	

Electrical Diagram



Philips Dyalite
6 / 691 Gardeners Road
Mascot, NSW 2020
Australia
Tel: +61 2 8338 9899
Email: dyalite.info@philips.com
Web: www.philips.com/dyalite

Specifications subject to change without notice. ©WMGD Pty Ltd Trading as Dyalite. Unit 6, 691 Gardeners Road Mascot 2020 Australia. ABN 33 097 246 921. All rights reserved. Dyalite, DyNet and associated logos are the registered trademarks of WMGD Pty Ltd. Not to be reproduced without permission.