

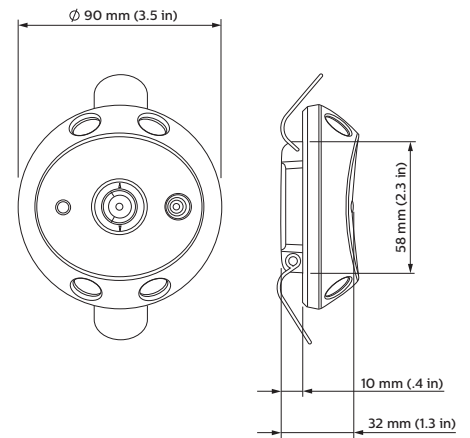


DUS804C-UP Multifunction Sensor

Surface mount ceiling sensor with ultrasonic capability

The DUS804C-UP is a surface mountable 360 degree multifunction sensor that combines ultrasonic (UP), motion detection (PIR), Infrared remote control reception (IR) and ambient light level detection (PE) into one device in applications such as offices, lecture theaters and homes.

- Motion detection feature — Detection of motion within scanned area triggers a programmed lighting action.
- Ambient light level detection and daylight harvesting — In applications where it is critical to maintain precise light, the PE function reads ambient levels and adjusts artificial light accordingly.
- Infrared receive capability — Manually adjust light levels using a hand-held remote control, via the inbuilt IR receive sensor of the DUS804C-UP.
- Daylight Harvesting mode — Delivers automatic energy savings.



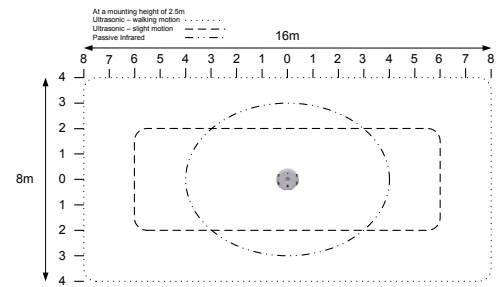
For detailed product information, please refer to the product information pages at www.philips.com/dynalite and follow the links.

Specifications

Due to continuous improvements and innovations, specifications may change without notice.

Item	Specification	Details
Hardware	Motion Detector	<p>PIR</p> <p>Maximum detection range: 5 m Detection area: 7.4 m to 5.6 m ellipse (at a height of 2.5 m) Detection speed: 1.0 m/s Detection object: 700 mm x 500 mm Detection zones: 64 LED activation indicator Adjustable Pulse Count & Sensitivity Sensor: Quad element pyroelectric RFI Immunity: >15 V/m @ 10-1000 MHz</p> <p>Ultrasonic</p> <p>Normal motion detection area: 8 m x 16 m (128² coverage) Slight motion detection area: 4 m x 12 m (48² coverage) Transducer pairs: 2 Operating frequency: 32 KHz</p>
	PE Cell	Range <5 lux to >5000 lux (reflected) Automatic 'Daylight Harvesting' mode
	Infrared Remote Control Receiver	Range up to >6 m LED activation indicator Can be used with DTK500 series infrared remotes or other learning IR remote control
	Terminals	5 way terminal strip, 1 x 2.5 mm ² max conductor size
	Controls	Walk test/IR received LED indicator Tamper switch
Network	Control Inputs/Outputs	One RS-485 DyNet serial port IR window used as network sign on
	DyNet DC Load	80 mA
	Configurations	All functions remotely programmable
Physical	Dimensions (H x W x D)	90 mm dia. x 32 mm (3.5" x 1.3")
	Packed Weight	0.25 kg
	Construction	ABS plastic enclosure
	Mounting	Recessed spring clip or adjustable surface mounting ring Shipped with surface mounting ring as standard
	Operating Conditions	Temperature: -0 to 45° C ambient Humidity: 10 to 90% non-condensing
	Storage & Transport	Temperature: -25 to 60° C ambient Humidity: 0 to 90% non-condensing
Certification	Certification	CE, C-Tick
Options & Ordering	Standard Product	DUS804C-UP (Philips I2NC - 913703070409)

Lens Pattern



Philips Dynalite
 6 / 691 Gardeners Road
 Mascot, NSW 2020
 Australia
 Tel: +61 2 8338 9899
 Email: dynalite.info@philips.com
 Web: www.philips.com/dynalite

Specifications subject to change without notice. ©WMGD Pty Ltd Trading as Dynalite. Unit 6, 691 Gardeners Road Mascot 2020 Australia. ABN 33 097 246 921. All rights reserved. Dynalite, DyNet and associated logos are the registered trademarks of WMGD Pty Ltd. Not to be reproduced without permission.