

Fixture MOL=6 3/4"

Ordering Information

Catalog No.	Finishes	Track Mountings	Lamps
6278 WH	Matte White	All Lytespan Track Systems	PAR20 50W Max. (Tungsten-Halogen)
6278 BK	Matte Black		

Features

- Lytespan Attachment Fitting:** Molded polycarbonate. Integral color. Fitter twists onto track, locks on.
- Trunion Mounting:** Tensioned with internal spring washer and vibration-resistant nut. Adjusts vertically up to 90°.
- Pivot Mounting:** Tensioned; adjust horizontally 350° stop.
- PBTB (Valox®) Socket Cup**
- Movable Brass Contact:** Extends for connection to 2nd circuit in Advent Lytespan track.
- Polarity Keyway**
- Push Tab:** Molded polycarbonate. Detaches unit.
- Porcelain Socket**
- Housing:** .040" aluminum
- Lamp Retaining Spring:** .024 Stainless Steel
- 1 1/8" Steel Yoke**

Electrical

Porcelain socket, medium base, nickel plated screw shell. No. 18 braided SF-1 leads.

Finish

All painted finishes baked enamel.

Labels

UL, I.B.E.W.

Valox® is a trademark of General Electric.

Job Information	Type:
Job Name:	
Cat. No.:	
Lamp(s):	
Notes:	

Lightolier a Genlyte Thomas Company www.lightolier.com
 631 Airport Road, Fall River, MA 02720 • (508) 679-8131 • Fax (508) 674-4710
 We reserve the right to change details of design, materials and finish.
 © 2002 Genlyte Thomas Group LLC (Lightolier Division) • A0902

LIGHTOLIER®

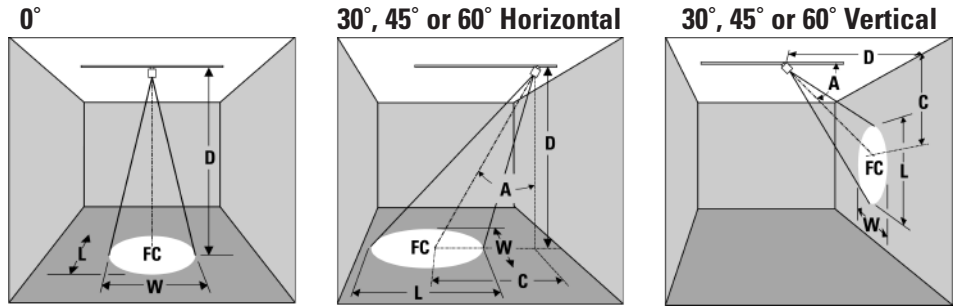


Lighting Data

Aiming Angle

- L** Beam Length
- W** Beam Width
- C** Distance to center beam
- D** Distance
- A** Aiming Angle
- FC** Footcandles

L and W are the outer points where the candle power drops to 50% of the maximum. FC are the initial footcandles at the center of the beam.



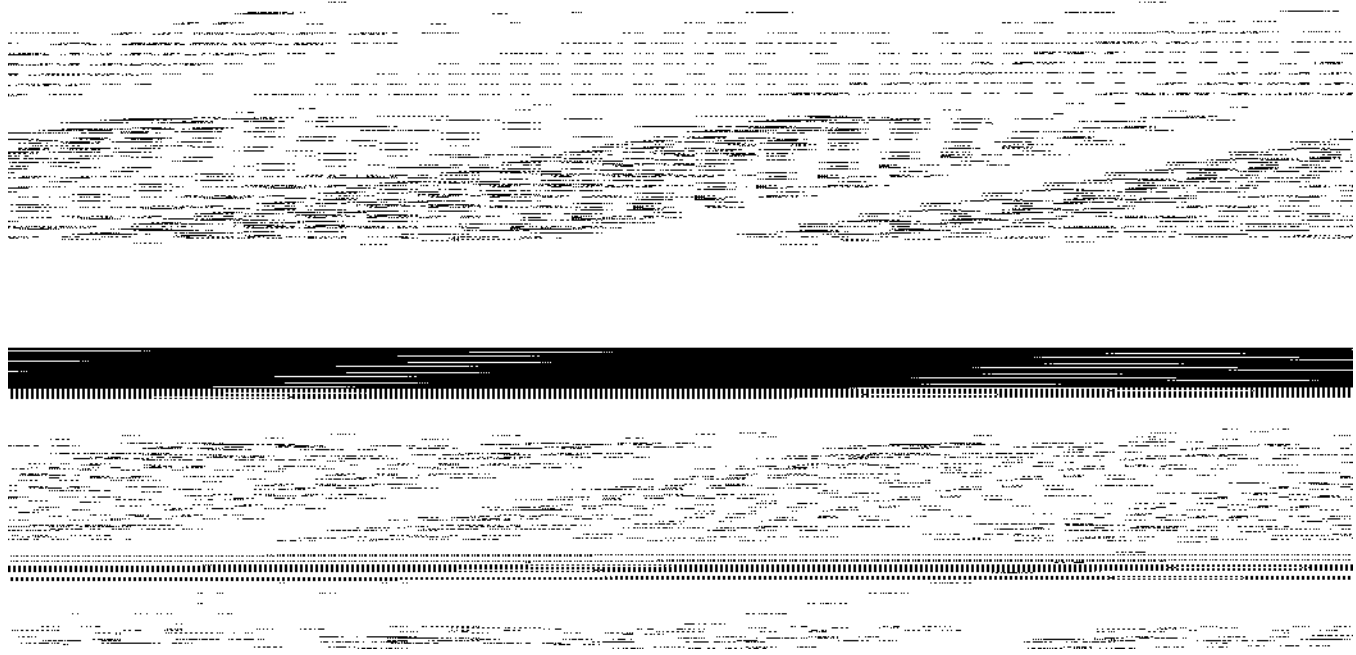
LAMP

0° AIMING ANGLE

A=30° AIMING ANGLE

A=45° AIMING ANGLE

A=60° AIMING ANGLE



LIGHTOLIER®

Job Information	Type:
------------------------	--------------

Lightolier a Genlyte Thomas Company www.lightolier.com
 631 Airport Road, Fall River, MA 02720 • (508) 679-8131 • Fax (508) 674-4710
 We reserve the right to change details of design, materials and finish.
 © 2002 Genlyte Thomas Group LLC (Lightolier Division) • A0902