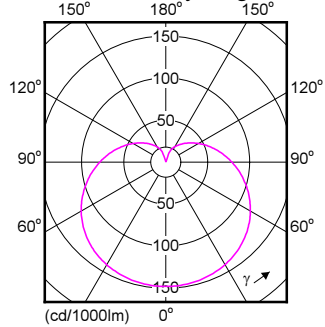


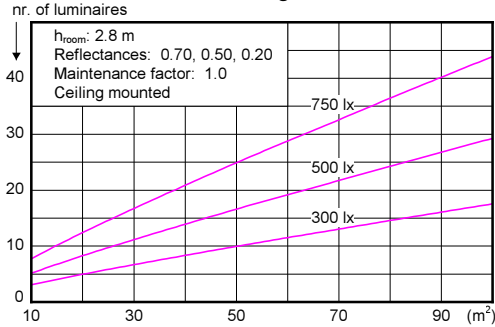
LEDBulb 19-160W E27 6500K W A95

1 x 2300 lm

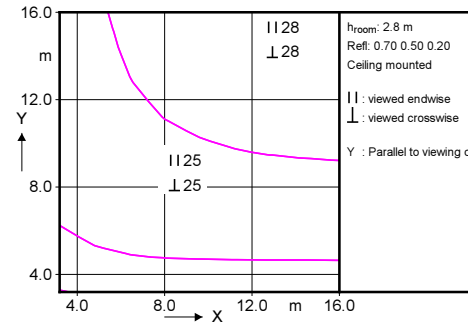
Polar intensity diagram



Quantity estimation diagram



UGR diagram



Light output ratio 1.00
 Service upward 0.28
 Service downward 0.72
 CIE flux code 31 58 81 72 100
 UGRcen (4Hx8H, 0.25H) 25

Utilisation factor table

Room Index k	Reflectances (%) for ceiling, walls and working plane (CIE)											
	0.80			0.70			0.50			0.30		
0.60	0.80	0.80	0.36	0.70	0.70	0.35	0.50	0.50	0.22	0.30	0.30	0.14
0.80	0.47	0.44	0.45	0.43	0.42	0.34	0.31	0.26	0.28	0.24	0.24	0.19
1.00	0.55	0.51	0.52	0.50	0.48	0.40	0.37	0.32	0.33	0.29	0.23	0.23
1.25	0.63	0.57	0.59	0.57	0.55	0.47	0.43	0.37	0.39	0.34	0.28	0.28
1.50	0.69	0.62	0.65	0.62	0.59	0.52	0.47	0.42	0.43	0.38	0.32	0.32
2.00	0.78	0.70	0.73	0.70	0.66	0.60	0.54	0.49	0.49	0.45	0.38	0.38
2.50	0.85	0.75	0.79	0.75	0.71	0.65	0.59	0.55	0.54	0.50	0.42	0.42
3.00	0.89	0.78	0.84	0.79	0.75	0.69	0.63	0.59	0.57	0.54	0.45	0.45
4.00	0.96	0.83	0.90	0.84	0.79	0.74	0.68	0.64	0.62	0.59	0.50	0.50
5.00	1.00	0.86	0.94	0.88	0.82	0.78	0.71	0.68	0.65	0.62	0.53	0.53

Ceiling mounted

Luminance Table

Plane Cone	0.0	15.0	30.0	45.0	60.0	75.0	90.0
45.0	11153	11153	11153	11153	11153	11153	11153
50.0	10976	10976	10976	10976	10976	10976	10976
55.0	10829	10829	10829	10829	10829	10829	10829
60.0	10715	10715	10715	10715	10715	10715	10715
65.0	10639	10639	10639	10639	10639	10639	10639
70.0	10611	10611	10611	10611	10611	10611	10611
75.0	10642	10642	10642	10642	10642	10642	10642
80.0	10751	10751	10751	10751	10751	10751	10751
85.0	10962	10962	10962	10962	10962	10962	10962
90.0	11322	11322	11322	11322	11322	11322	11322

(cd/m²)

SL22474

2016-05-13