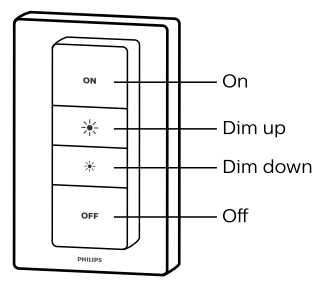


EN Hue dimmer switch is a battery-powered dimmer for the Hue system that controls your preferred light setting that you have configured in the Hue app.

Important note Requires Hue bridge and the latest Hue software.



3222 638 27801

FR Le gradateur Hue est un dispositif alimenté par piles pour le système Hue qui contrôle le paramètre d'éclairage préféré que vous avez configuré dans l'application Hue.

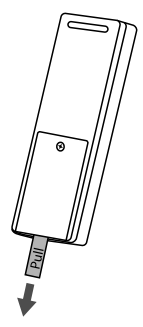
Remarque importante Requiert le pont Hue et le dernier logiciel Hue en date.

ES Hue dimmer switch es un atenuador alimentado por baterías para el sistema Hue que controla la configuración de iluminación preferida que haya configurado en la aplicación Hue.

Nota importante Requiere un Hue bridge y el software Hue más reciente.

1 Pull off the lid sticking out of the battery compartment You can configure your dimmer switch in the Hue app.

For more information on installation and use, please visit www.meethue.com.



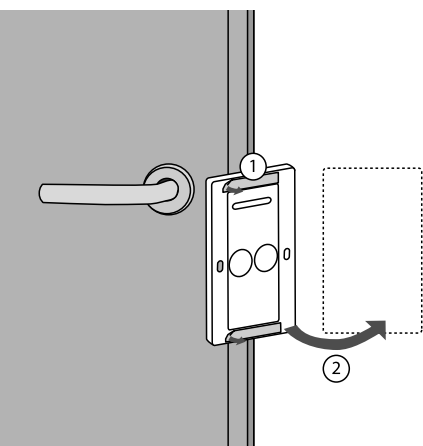
1 Retirez le couvercle qui dépasse du compartiment à piles. Vous pouvez configurer votre gradateur dans l'application Hue.

Pour plus d'informations sur l'installation et l'utilisation, visitez www.meethue.com.

1 Retire la lengüeta que sobresale del compartimento de las baterías. Puede configurar el interruptor del atenuador en la aplicación Hue.

Para obtener más información sobre la instalación y el uso, sírvase visitar www.meethue.com.

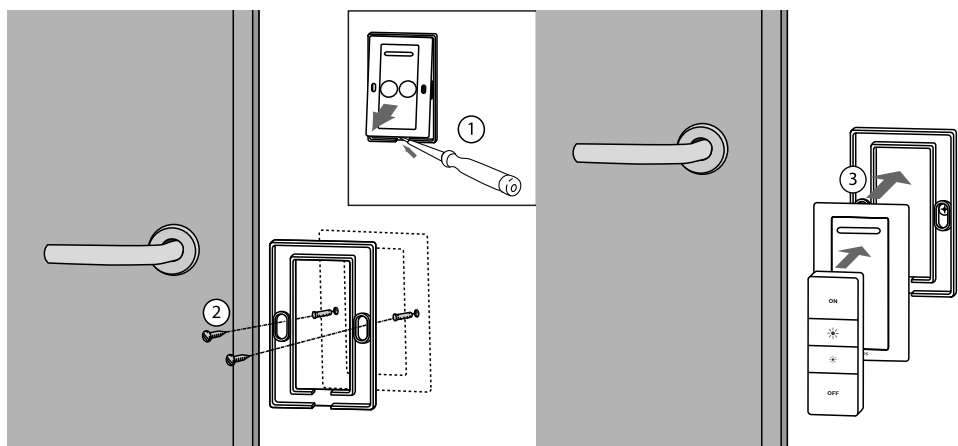
Optional Mount the switch on any wall using adhesive tape



Facultatif : Montez l'interrupteur sur n'importe quel mur au moyen d'un ruban adhésif

Optional: monte el interruptor en cualquier pared mediante cinta adhesiva

Optional Mount the switch on any wall using screws



Facultatif : Montez l'interrupteur sur n'importe quel mur au moyen de vis

Optional: monte el interruptor en cualquier pared mediante tornillos

EN Please go to www.meethue.com to learn more about Hue and how to use it.

APPROBATIONS FCC, ICC, UL, Zigbee

FCC Statement: Contains FCC ID: CIW-929001736X This device complies with Part 15 of the FCC Rules and with RDO-210 of Industry Canada.

IC Certification: Contains transmitter module IC: 1352-1736X

This Class B digital apparatus complies with Canadian ICES-003. This digital apparatus does not exceed the class B limits for radio-noise emission from digital apparatus as set out in the Radio Interference Regulations of the Canadian Department of Communications.

NOTICE: Changes or modifications made to this device not expressly approved by Philips Lighting North America Corporation ("Philips") may void the U.S. FCC and Canadian authorization to operate this device.

NOTE: This equipment has been tested and found to comply with the limits for a CLASS B digital device. These limits are designed to provide reasonable protection against harmful interference in a residential installation.

However, there is no guarantee that interference will not occur in a particular installation. If this equipment causes harmful interference to radio or television reception, which can be determined by turning the equipment off and on, the user is encouraged to try to correct the interference by one or more of the following measures:

- Reorient or relocate the receiving antenna
Increase the separation between the equipment and receiver
Connect the equipment into an outlet on a circuit different from that to which the receiver is connected

REMARQUE: Toute modification apportée à cet appareil sans l'approbation expresse de Philips Lighting North America Corporation (« Philips ») pourrait annuler le droit d'utilisation de l'appareil octroyé par la FCC aux États-Unis et au Canada.

REMARQUE: Cet appareil a fait l'objet de tests et il a été trouvé conforme aux limites établies pour un appareil numérique de CLASSE B, comme il est indiqué à l'alinéa 15 du règlement de la FCC.

Cet appareil numérique de classe B est conforme à la norme NMB-003 du Canada. Cet appareil numérique ne dépasse pas les limites de bruit radioélectrique établies pour les appareils de classe B, indiquées dans le règlement sur le matériel brouilleur du ministère des Communications du Canada.

AVERTISSEMENTS ET MISES EN GARDE: Évitez tout contact avec des liquides ou l'humidité.

Ce produit est conçu pour un usage à l'intérieur seulement. Ne l'utilisez pas dans des endroits mouillés, par exemple dans une salle de bain ou à l'extérieur.

Ce produit n'est pas un jouet et n'est pas conçu pour être utilisé par des enfants.

Évitez tout contact avec des surfaces chaudes.

Pour des raisons de sécurité et conformément aux conditions de la garantie, les appareils inclus doivent pas être ouverts.

Le remplacement de la pile par un mauvais type de pile peut causer une explosion.

GARANTIE LIMITÉE: Philips garantit que cet appareil est exempt de défaut de matériaux ou de fabrication et qu'il fonctionnera pendant deux (2) ans s'il a été utilisé conformément aux directives.

Philips garantit que cet appareil est exempt de défaut de matériaux ou de fabrication, et que fonctionnera pendant deux (2) ans s'il a été utilisé conformément aux directives.

Philips garantit que ce produit sera libre de défauts de matériaux et de fabrication, et que fonctionnera pendant deux (2) ans s'il a été utilisé conformément aux directives.

AVISO: Los cambios o modificaciones realizados a este dispositivo sin la aprobación expresa de Philips Lighting North America Corporation ("Philips") pueden anular la autorización de la FCC de los EE. UU. y de Canadá para operar este dispositivo.

NOTA: Este equipo fue probado y se encontró que cumple con los límites de un dispositivo digital de CLASE B conforme a la Parte 15 de las reglas de la FCC.

Este dispositivo digital de clase B cumple con el ICES-003 canadiense. Este aparato digital no excede los límites de la clase B para la emisión de ruido de radio establecido por el Reglamento de radiocomunicaciones del Departamento de comunicaciones de Canadá.

WARNINGS AND CAUTIONS: Keep away from liquids and humidity. This product is for indoor use only.

This product is not a toy and is not designed or intended for use by children. Do not place on hot surfaces.

For safety reasons and under the terms of the warranty, none of the enclosed devices should be opened.

Risk of explosion if battery is replaced by an incorrect type of battery.

LIMITED WARRANTY: Philips warrants that this device will be free from defects in material and workmanship and will operate for two (2) years when used as directed.

Philips warrants that this device will be free from defects in material and workmanship and will operate for two (2) years when used as directed.

Philips will send you, at its election, a replacement device or refund your original purchase price upon receipt of the returned device, register receipt and proof of purchase.

Philips warrants that this device will be free from defects in material and workmanship and will operate for two (2) years when used as directed.

Philips warrants that this device will be free from defects in material and workmanship and will operate for two (2) years when used as directed.

Philips warrants that this device will be free from defects in material and workmanship and will operate for two (2) years when used as directed.

Philips warrants that this device will be free from defects in material and workmanship and will operate for two (2) years when used as directed.

Philips warrants that this device will be free from defects in material and workmanship and will operate for two (2) years when used as directed.

Philips warrants that this device will be free from defects in material and workmanship and will operate for two (2) years when used as directed.

Philips warrants that this device will be free from defects in material and workmanship and will operate for two (2) years when used as directed.

Philips warrants that this device will be free from defects in material and workmanship and will operate for two (2) years when used as directed.

Philips warrants that this device will be free from defects in material and workmanship and will operate for two (2) years when used as directed.

Philips warrants that this device will be free from defects in material and workmanship and will operate for two (2) years when used as directed.

Philips warrants that this device will be free from defects in material and workmanship and will operate for two (2) years when used as directed.

Philips warrants that this device will be free from defects in material and workmanship and will operate for two (2) years when used as directed.

Philips warrants that this device will be free from defects in material and workmanship and will operate for two (2) years when used as directed.

Philips warrants that this device will be free from defects in material and workmanship and will operate for two (2) years when used as directed.

Philips warrants that this device will be free from defects in material and workmanship and will operate for two (2) years when used as directed.

Philips warrants that this device will be free from defects in material and workmanship and will operate for two (2) years when used as directed.

Philips warrants that this device will be free from defects in material and workmanship and will operate for two (2) years when used as directed.

WARRANTY, LIABILITY FOR INCIDENTAL OR CONSEQUENTIAL DAMAGES IS HEREBY EXPRESSLY EXCLUDED.

Some states and provinces do not allow exclusion of incidental or consequential damages, so the above limitation or exclusion may not apply to you.

This warranty gives you specific legal rights, and you may also have other rights which vary from state to state and province to province.

CLEANING AND MAINTENANCE: To avoid scratching, the product should only be cleaned with a soft dry cloth.

Remove the batteries when you discard the remote control. Do not throw the batteries away with normal household waste.

They must be handed in at an official collection point or at a Philips Dealer, both of which will dispose of the batteries in an environmentally friendly way.

Specifications Hue dimmer switch: Weight: 67 gram Size: Remote only: 1.38 x 3.6 x 0.43 inch.

Dimensions: Télécommande seulement: 3,5 x 9,1 x 1,1 cm (1,38 x 3,6 x 0,43 po) Avec pile: 2,76 x 4,5 x 0,55 po

Nombre de boutons: 4 boutons de commande et 1 bouton de configuration

Piles: 1 pile Panasonic CR2450

Nombre maximal de gradateurs dans un système Hue: 10, si le système ne comporte aucun autre gradateur

Protocole de communication sans fil: IEEE 802.15.4

Portée du gradateur Hue: 12,7 m (500 po) à l'intérieur

Caractéristiques environnementales: Température de fonctionnement: de -5 °C à 45 °C

Température d'entreposage: de -40 °C à 70 °C

Humidité relative: de 5 % à 95 % sans condensation

Humidité relative: de 5 % à 95 % sans condensation

Humidité relative: de 5 % à 95 % sans condensation

Humidité relative: de 5 % à 95 % sans condensation

Humidité relative: de 5 % à 95 % sans condensation

Humidité relative: de 5 % à 95 % sans condensation

Humidité relative: de 5 % à 95 % sans condensation

Humidité relative: de 5 % à 95 % sans condensation

Humidité relative: de 5 % à 95 % sans condensation

Humidité relative: de 5 % à 95 % sans condensation

Humidité relative: de 5 % à 95 % sans condensation

Wireless specification: Wireless RF mode frequency band: 2400–2483.5 MHz

Wireless communications protocol: IEEE 802.15.4

Operating channels: channels 11 – 26

Relative humidity: 5–95% non-condensing

Product is designed for indoor use only

CUSTOMER SUPPORT: For more information, please visit our website at www.meethue.com/support, or call our customer service (1-800-555-0050).

Philips Lighting North America Corporation 200 Franklin Square Drive Somerset, NJ 08873

Philips Electronics Ltd. 281 Hillmount Road Markham, ON L6C 2S3

« Hue Personal Wireless Lighting » is a trademark owned by Koninklijke Philips NV.

SEVICE À LA CLIENTÈLE: Pour obtenir de plus amples renseignements, visitez notre site Internet à www.meethue.com/support, ou appelez notre service à la clientèle (1-800-555-0050).

Philips Lighting North America Corporation 200 Franklin Square Drive Somerset, NJ 08873, États-Unis

Philips Electronics Ltd. 281 Hillmount Road Markham (Ontario) L6C 2S3

« Hue Personal Wireless Lighting » est une marque de commerce appartenant à Koninklijke Philips NV.

Philips Lighting North America Corporation 200 Franklin Square Drive Somerset, NJ 08873

Philips Electronics Ltd. 281 Hillmount Road Markham, ON L6C 2S3

« Hue Personal Wireless Lighting » is a trademark owned by Koninklijke Philips NV.

SEPORTE AL CLIENTE: Para obtener más información, sírvase visitar nuestro sitio de Internet en www.meethue.com/support o llame a nuestro servicio al cliente al (1-800-555-0050).

Philips Lighting North America Corporation 200 Franklin Square Drive Somerset, NJ 08873

Philips Electronics Ltd. 281 Hillmount Road Markham, ON L6C 2S3

« Hue Personal Wireless Lighting » is a trademark owned by Koninklijke Philips NV.

SEPORTE AL CLIENTE: Para obtener más información, sírvase visitar nuestro sitio de Internet en www.meethue.com/support o llame a nuestro servicio al cliente al (1-800-555-0050).

Philips Lighting North America Corporation 200 Franklin Square Drive Somerset, NJ 08873

Philips Electronics Ltd. 281 Hillmount Road Markham, ON L6C 2S3

« Hue Personal Wireless Lighting » is a trademark owned by Koninklijke Philips NV.

SEPORTE AL CLIENTE: Para obtener más información, sírvase visitar nuestro sitio de Internet en www.meethue.com/support o llame a nuestro servicio al cliente al (1-800-555-0050).

Philips Lighting North America Corporation 200 Franklin Square Drive Somerset, NJ 08873

Philips Electronics Ltd. 281 Hillmount Road Markham, ON L6C 2S3

« Hue Personal Wireless Lighting » is a trademark owned by Koninklijke Philips NV.