

41007/\*\*/U7



User manual  
Notice d'emploi  
Manual de usuario

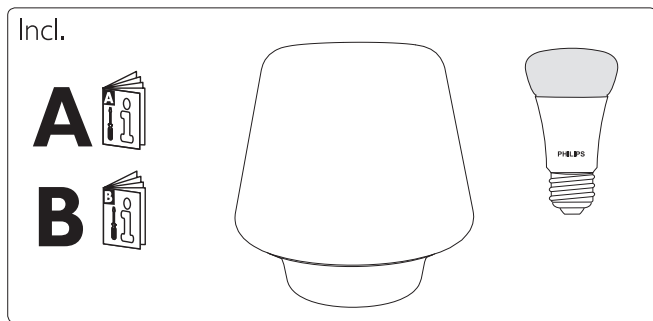


**PHILIPS**

# IMPORTANT SAFETY INSTRUCTIONS

THIS PORTABLE LUMINAIRE HAS A POLARIZED PLUG (ONE BLADE WIDER THAN THE OTHER) AS A FEATURE TO REDUCE THE RISK OF ELECTRIC SHOCK. THIS PLUG WILL FIT IN A POLARIZED OUTLET ONLY ONE WAY. IF THE PLUG DOES NOT FIT FULLY IN THE OUTLET, REVERSE THE PLUG. IF IT STILL DOES NOT FIT, CONTACT A QUALIFIED ELECTRICIAN. NEVER USE WITH AN EXTENSION CORD UNLESS PLUG CAN BE FULLY INSERTED. DO NOT ALTER THE PLUG.

Pour éviter les chocs électriques, introduire la lame la plus large de la fiche dans la fente la plus large.



Philips lamp  
UL certified

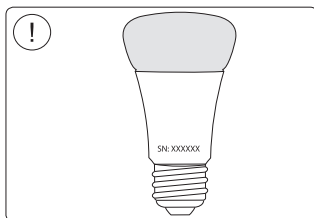
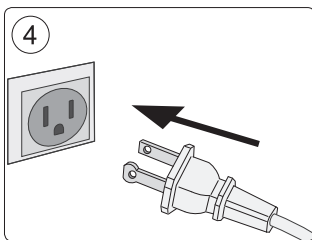
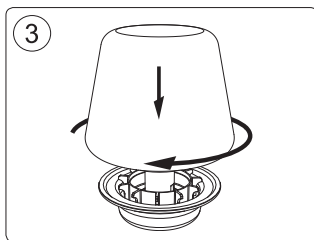
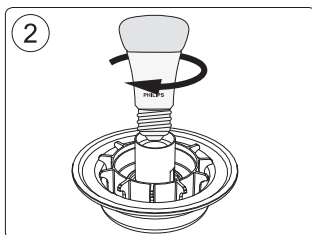
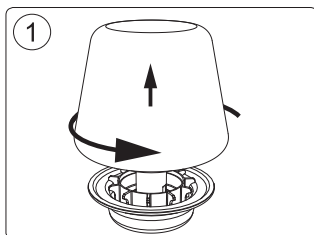
[www.meethue.com/getstarted](http://www.meethue.com/getstarted)



English:  
Product finishing may vary from image shown.

Français:  
L'apparence du produit peut différer de l'image montrée.

Español:  
La apariencia del producto puede variar de la imagen mostrada.





United States  
Philips Lighting Company  
200 Franklin Square Drive  
Somerset, NJ 08873  
1-800-555-0050  
[philipsinquiries@philips.com](mailto:philipsinquiries@philips.com)

Canada  
Philips Lighting/ Philips Éclairage Canada Ltée  
281 Hillmount Road  
Markham  
ON, Canada L6C 2S3  
1-800-555-0050  
[www.philips.com](http://www.philips.com)

Mexico  
Philips Mexicana S.A de C.V.  
Avenida La Palma no. 6 Col. San Fernando La Herradura  
Huixquilucan Estado de México, México C.P. 52784  
Atención a clientes: 01 800 508 9000 / 52699139  
[smartlight.mexico@philips.com](mailto:smartlight.mexico@philips.com)

© Philips Lighting Holding B.V. 2017

440402906831  
Last update: 30/01/2017