

LED Downlight

Mounting instruction



AS/NZS
60598



IP20



Type Number	Power	Voltage	Frequency	Color temperature	Lifespan	
DN035B D100 LED6	7W	220-240V~	50/60 Hz	3000K/4000K	30000H	0.152
DN035B D150 LED8	9W	220-240V~	50/60 Hz	3000K/4000K	30000H	0.282
DN035B D175 LED12	14W	220-240V~	50/60 Hz	3000K/4000K	30000H	0.366
DN035B D200 LED15	16W	220-240V~	50/60 Hz	3000K/4000K	30000H	0.498

Unit : mm

Type	A	B
DN035B D100 LED6	Ø116	78
DN035B D150 LED8	Ø173	100
DN035B D175 LED12	Ø203	112
DN035B D200 LED15	Ø233	120

1

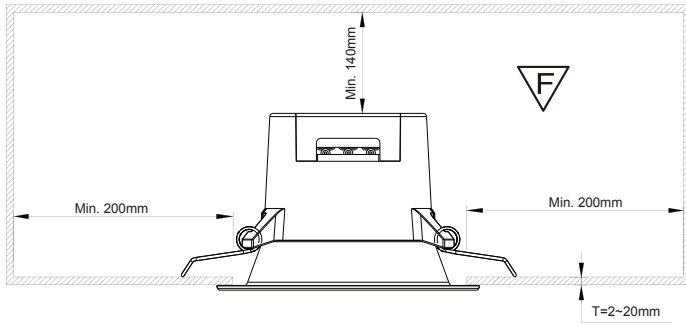
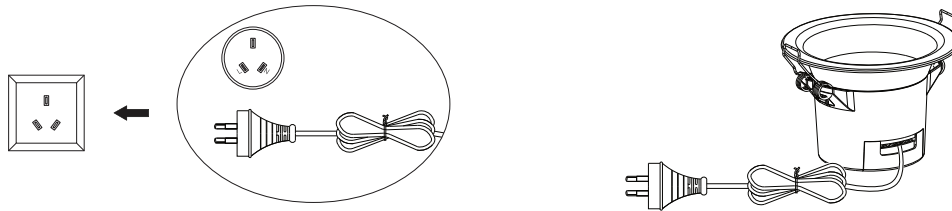
Type	Cut-out size
DN035B D100 LED6	Ø100-105mm
DN035B D150 LED8	Ø150-155mm
DN035B D175 LED12	Ø175-180mm
DN035B D200 LED15	Ø200-205mm

2

Lum. Into Ceiling

3

Connect Power Supply Cable



RISK OF FIRE – Required clearance from structural members and building elements

SCB=200mm HCB=140mm

(i) HCB (Height clearance to building element)

(ii) SCB (Side clearance to building element)

WARNING — RISK OF OVERHEATING OR FIRE IF THE CLEARANCE DISTANCES ARE COMPROMISED.

Model	Run Current (A)(@230V)	Start (Inrush) Current(A) / Ipeak (A)	Start Current Duration (µs) / T(@50% of Ipeak) (µs)	* Touch current or protective conductor current (mA)	MCB (Type B 16A) Max no. fitting (pcs)
DN035B LED6	0.035	6.6	2	0.0245	48
DN035B LED8	0.045	11.3	1	0.0245	48
DN035B LED12	0.07	12.2	2	0.0245	48
DN035B LED15	0.082	17	1.6	0.0246	48

The leakage current *(touch current or protective conductor current) of electrical circuit may be greatly dependent upon electrical supply cables used such as its rating and length, proper connection of electrical supply cables to luminaires and wiring connection topology of luminaires to the supply electrical circuit amongst other site conditions.

* In some cases referred to as Earth Leakage Current



1. The luminaire must be installed by a qualified electrician and wired in accordance with the local wiring regulations.
2. For indoor use only.
3. Do not switch on before complete installation.
4. If the external flexible cord of this luminaire is damaged , it shall be exclusively replaced by the manufacturer or his service agent or a similar qualified person in order to avoid a hazard.
5. The light source of this luminaire is not replaceable; when the light source reaches its end of life the whole luminaire shall be replaced
6. The supply cord and cable provided with the luminaire is intended is for indoor use only.
7. Luminaire must not be used or stored in corrosive environment where hazardous materials such as Sulphur, Chlorine, phthalates, etc, are present