

# The decorative, easy to install LED replacement batten

The FastSet LED decorative batten is the perfect 1:1 replacement for conventional battens. With a wide profile and easy installation it easily fits into all different indoor applications. FastSet can be installed as a standalone luminaire or in a line configuration.

## Features & benefits

- One luminaire which is suitable for standalone or line configuration
- Good light quality and comfort thanks to its wide distribution
- With three push-in terminal blocks to choose from and two different mounting methods it's a breeze to install
- IP44 rating makes the FastSet resilient against moisture and dust
- Three year warranty

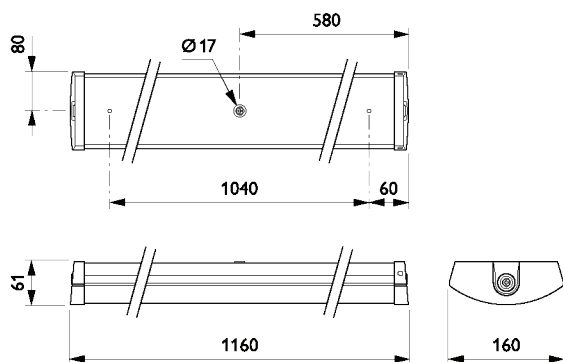
# Product data

<b>Model</b>	FastSet Surface Mount (SM150)	
<b>Type</b>	LED48	LED60
<b>Equivalent of</b>	2x36W Fluorescent	2x58W Fluorescent
<b>Power</b>	45W	55W
<b>System Lumen</b>	4800lm	6000lm
<b>Power factor</b>	>0.9	
<b>Type</b>	Fixed output (PSU)	
<b>Diffuser</b>	Ribbed Opal Diffuser	
<b>Electrical Class</b>	Class I	
<b>Input Voltage</b>	220V-240V, 50/60Hz	
<b>CCT</b>	3000K (WW) and 4000K (NW)	
<b>CRI</b>	>80	
<b>Beam Angle</b>	116°	
<b>Operating Temperature</b>	0°C - 35°C	
<b>Lifetime (L70)*</b>	50,000 hours	
<b>IP/ IK Rating</b>	IP44/IK03	
<b>Mounting Type</b>	Direct to Ceiling or via Mounting clips, suitable also for Wall Mount	
<b>Electrical Connection</b>	End and rear access point, through-wiring, 3 x Push in terminal blocks	
<b>Housing Colour</b>	RAL 9003	
<b>Material</b>	Diffuser: PC Housing: Metal housing	
<b>Application</b>	Office, Education, Carparks, Laboratory, Kitchens and Stairwells	

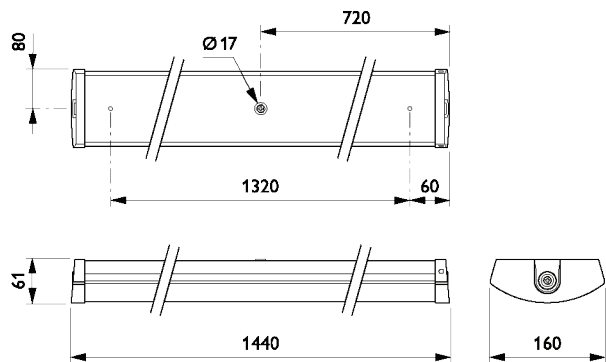
\*When a new fitting reaches 70% of full potential

## Dimensions

FastSet Surface Mounted SM150C L1160



FastSet Surface Mounted SM150C L1440



## Order placement information

12NC	Descriptions	Specification
912401483057	SM150C LED48S/840 PSU TW3 PI5 L1160	45W, 4800lm, 4000K, fixed output, 4ft
912401483058	SM150C LED48S/830 PSU TW3 PI5 L1160	45W, 4800lm, 3000K, fixed output, 4ft
912401483059	SM150C LED60S/840 PSU TW3 PI5 L1440	55W, 6000lm, 4000K, fixed output, 5ft
912401483060	SM150C LED60S/830 PSU TW3 PI5 L1440	55W, 6000lm, 3000K, fixed output, 5ft

© 2017 Koninklijke Philips N.V.  
All rights reserved. Reproduction in whole or in part is prohibited without the prior written consent of the copyright owner.  
The information presented in this document does not form part of any quotation or contract, is believed to be accurate and reliable and may be changed without notice. No liability will be accepted by the publisher for any consequence of its use. Publication thereof does not convey nor imply any license under patent or other industrial or intellectual property rights.

Version: July 2018



**Philips Lighting New Zealand**  
Level 3, 123 Carlton Gore Road  
Newmarket, Auckland 1023  
New Zealand  
Ph: 0800 454 448 / 0800 4 LIGHT  
connected.nz@philips.com  
www.philips.co.nz/lighting