

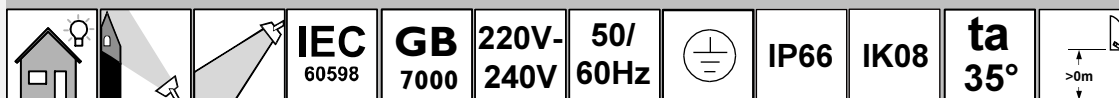
TANGO G3 LED

BVP381/382/383

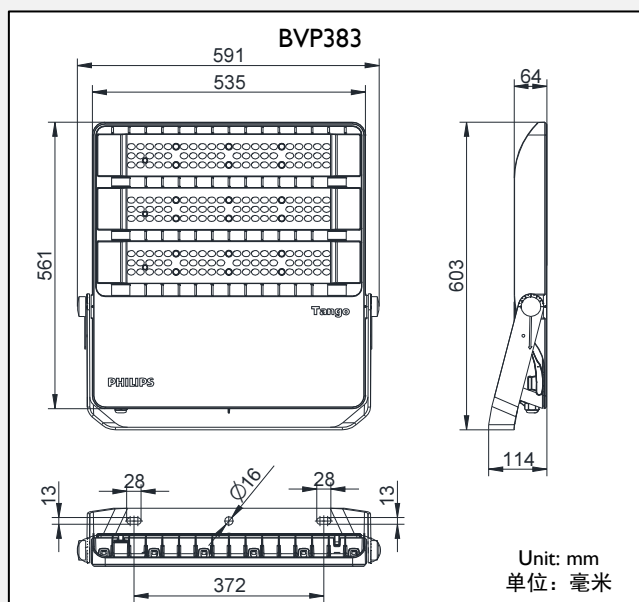
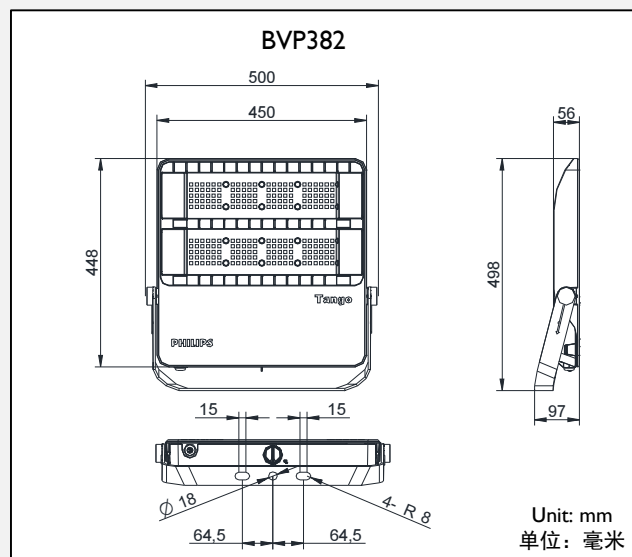
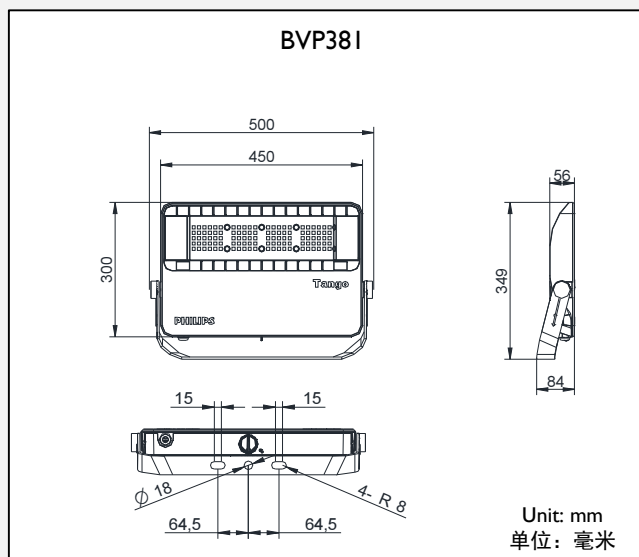
Mounting instruction/安装说明书



4441 000 99712



| Type 型号 | LEDs 颗粒数 | Power 功率(W) | Beam 配光 | CCT 色温 | LxWxH(mm) 长x宽x高 | Project Area 风压面积m ² | kg |
|------------------|-------------|----------------|----------------------------------|----------------------|--------------------|------------------------------------|-------|
| BVP381 55LED140 | 55 | 50 | AMB SMB SWB | 3000 4000 5700 | 500x349x84 | 0.12 | 5.5kg |
| BVP381 75LED140 | 75 | 70 | | | | | |
| BVP381 110LED140 | 110 | 100 | | | | | |
| BVP382 130LED140 | 130 | 120 | | | | | |
| BVP382 165LED140 | 165 | 150 | | | | | |
| BVP382 220LED140 | 220 | 200 | NB AMB SMB AWBE SWBE | 3000 4000 5700 | 500x498x97 | 0.17 | 8kg |
| BVP383 108LED700 | 108 | 240 | | | | | |
| BVP383 144LED700 | 144 | 320 | | | | | |
| BVP383 180LED700 | 162 | 360 | | | | | |
| BVP383 180LED700 | 180 | 400 | | | | | |



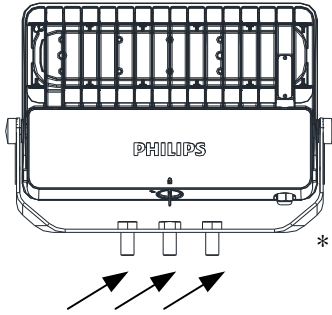
| 产品中有害物质的名称及含量 | | | | | | |
|-------------------|--------|--------|--------|--------------|------------|--------------|
| 12NC:444100099181 | | | | | | |
| 部件名称 | 有害物质 | | | | | |
| | 铅 (Pb) | 汞 (Hg) | 镉 (Cd) | 六价铬 (Cr(VI)) | 多溴联苯 (PBB) | 多溴二苯醚 (PBDE) |
| LED灯板 | ○ | ○ | ○ | ○ | ○ | ○ |
| 驱动器(板), 铜制及电子零部件 | × | ○ | ○ | ○ | ○ | ○ |
| 透镜光学部件 | ○ | ○ | ○ | ○ | ○ | ○ |
| 外壳及其它零部件 | ○ | ○ | ○ | ○ | ○ | ○ |

本表格依据SJ/T 11364的规定编制
 ○:表示该有害物质在该部件所有均质材料中的含量均在GB/T 26572规定的限量要求以下。
 ×:表示该有害物质至少在该部件的某一均质材料中的含量超出GB/T 26572规定的限量要求。

Applicable to China Only

1

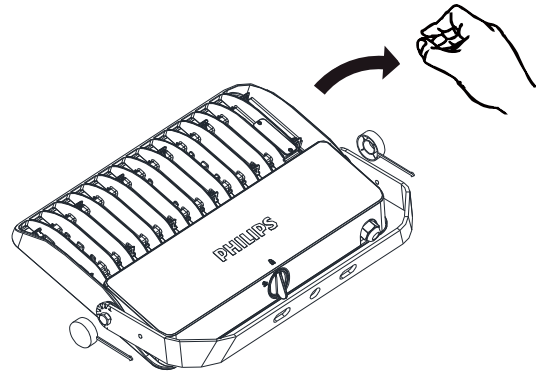
Installation 安装灯具



Install the luminaire according to the national regular and make sure it will not fall off.
按照国家标准安装固定好灯具，确保其不会掉落。

* No Supplied Install bolt and washer
本灯具不提供固定螺栓和垫片

固定螺栓应不小于M12，平垫片不小于D12 (外径不小于24mm)
Install bolt \geq M12, washer \geq D12 (external diameter \geq 24mm)

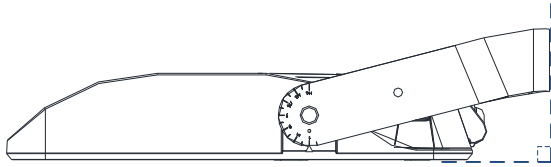


Unpack caps and put them back after adjusted install angle.

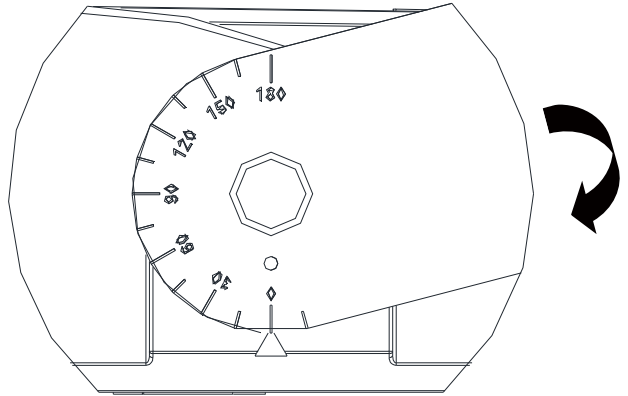
取下塑料盖帽，调整完安装角度后装回盖帽。

2

Adjust mounting angle 调整安装角度



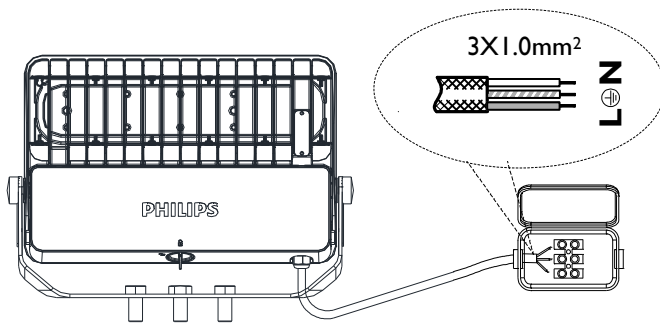
Mounting surface is perpendicular to out-light surface when triangle mark points 0°
当指示标记对准刻度盘 0° 时，支架安装面与玻璃发光面垂直



Fasten the bolts after adjustment.
调整角度后锁紧两侧螺栓M10 (2x)
BVP381/382/383 50N.m

3

Connect the power cord 接电源线



蓝色线: N (Blue: N)
黄绿线: 接地 (Yellow-Green: GND)
棕色线: L (Brown: L)

← Watertight IP66
防水接线盒 IP66

* No Supplied Watertight Box
本灯具不提供防水接线盒

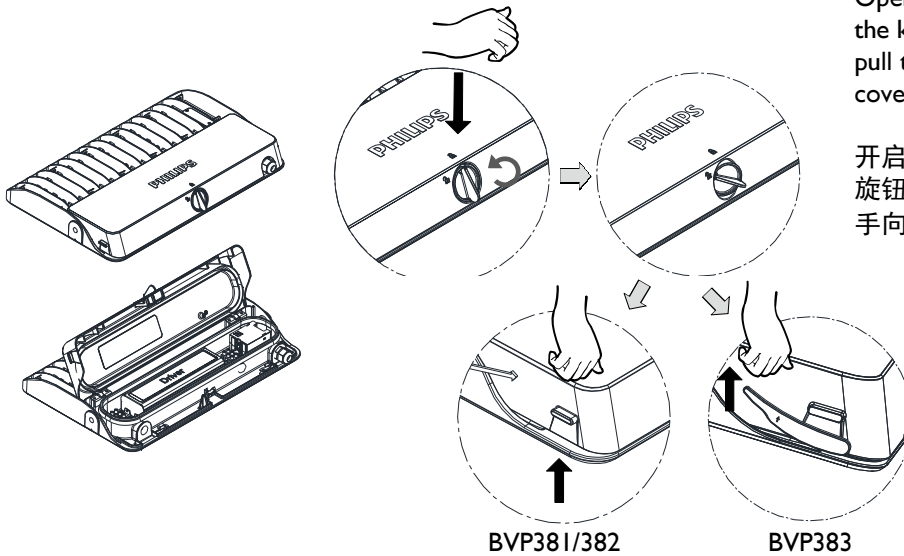


Notice: Correct connection for polarities
注意: 正确的极性连接

单位: 毫米
Unit: mm

4

Gear cover unlock 维护灯具打开后盖



Open: Press the gear cover and rotate the knob to unlock place, then open it by pull the handle on both sides of gear cover.

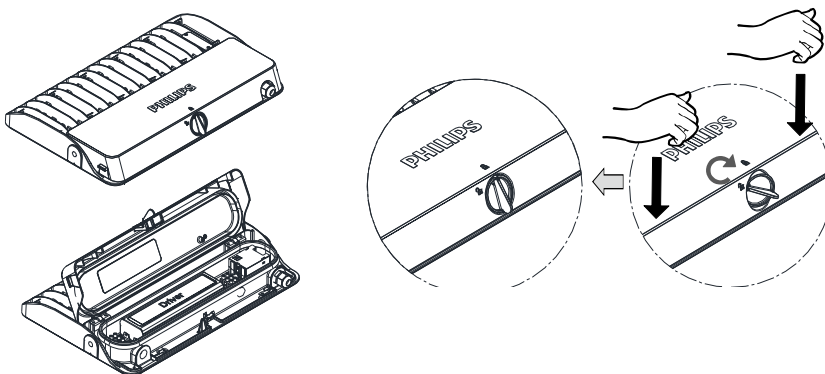
开启：向下按住后盖，同时逆时针旋转旋钮至开启位置，然后双手抓住两侧把手向上即可打开。

For BVP383, rotate two assistant handlers on both sides of gear cover could help to open cover

对于BVP383，向上扳动两侧的辅助把手可以轻松打开后盖。

5

Gear cover lock 后盖关闭



Close: Put gasket in order then press the gear cover and rotate the knob to LOCK place.

关闭：先整理好密封带，然后向下按住后盖，同时顺时针旋转旋钮至闭合位置即可关闭。



1. Caution, risk of electric shock. Switch off power before operation.

警告，有触电危险。操作前请务必关闭电源。



2. The luminaire should be positioned so that prolonged staring into the luminaire at a distance closer than 0.33 m is not expected.

应将灯具放在预期不会在近于0.33米的距离持续盯着看灯具的位置。



3. The light source contained in this luminaire shall only be replaced by the manufacturer or his service agent or a similar qualified person.

此灯具内的光源应由制造商或其服务代理商或一个类似的有资格的人来更换。

4. The connection of power cable on luminaire is type Y. If the external flexible cable or cord of this luminaire is damaged, it shall be exclusively replaced by the manufacturer or his service agent or a similar qualified person in order to avoid a hazard.

该灯具上的电源线缆属Y型连接。如果此灯具的外部软缆或软线损坏了，该线要由制造商或其服务代理商或一个类似的有资格的人更换，以避免发生危险。

5. Do not put this product under water.

请勿将产品浸泡在水中。