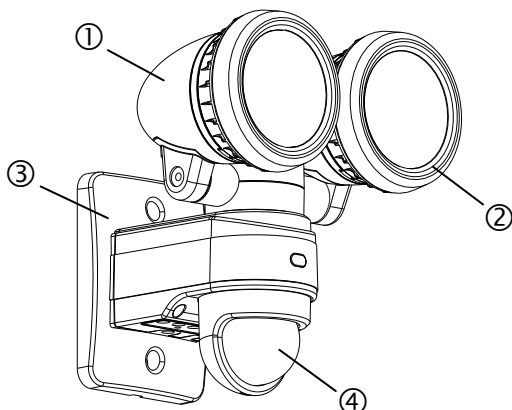


PHILIPS EH313L

7.5W x 2 LED FLOODLIGHT



- ① LED Light
- ② Lampshade
- ③ Wall Box
- ④ PIR (Motion Sensor)

INTRODUCTION

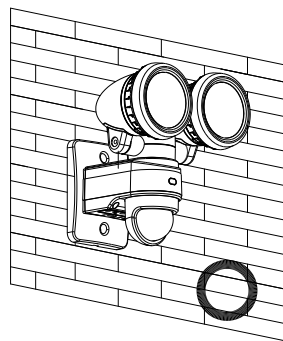
This 7.5W x 2 LED FLOODLIGHT is a unique indoor or outdoor lighting system for your home or business place:

1. Prior to normal operation, test the light no matter in the daytime or nighttime.
2. Determine how long the light will be on after motion is detected.
3. Manual override feature enables the light to stay on continuously both day and night.
4. Two adjustable lights allow you to provide the optimum lighting coverage.

Note: Read this entire manual before you start to install the system.

SAFETY PRECAUTIONS

- DO NOT install this fitting when it is raining.
- DO isolate the power supply during installation or maintenance.
- DO ensure that the power supply circuit is protected by a 16 amp circuit breaker or suitable equivalent fuse.
- The fixing screw should not be removed after installation. Secure the connection of the light head assembly and motion sensor to the base, so as to avoid any unsteadiness.
- The unit can be installed vertically, not horizontally as shown in the below drawing. (FIGURE 1)



Wall Mount Recommended (FIGURE 1)

IMPORTANT

Installation must be performed by skilled technicians who are informed about the standards and technical requirements of the appliance and its proper installation.

Check your local codes as they apply to your situation. If the house wiring is of aluminum, consult with an electrician about proper wiring methods.

Before proceeding with the installation, **TURN OFF THE POWER TO THE LIGHTING CIRCUIT AT THE CIRCUIT BREAKER OR FUSE BOX TO AVOID ELECTRICAL SHOCK.**

CHOOSING A MOUNTING LOCATION

- For safety and the best results, fix the unit on a solid wall, 2.5m above the ground.
- For outdoor installation, a location under eaves is preferable.
- Avoid aiming the motion sensor at pools, heating vents, air conditioners or objects which may change temperature rapidly.
- Do not allow sunlight to fall directly on the front of unit.
- Try to avoid pointing the unit at trees or shrubs or where the motion of pets may be detected.
- The motion sensor is more sensitive to objects moving across its field of view. It is less sensitive to objects moving directly towards the sensor head. (FIGURE 2)

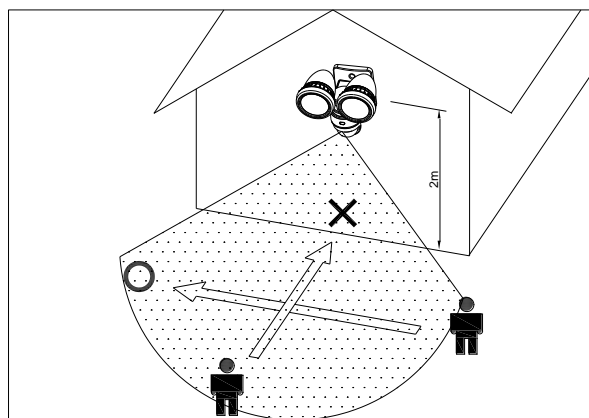
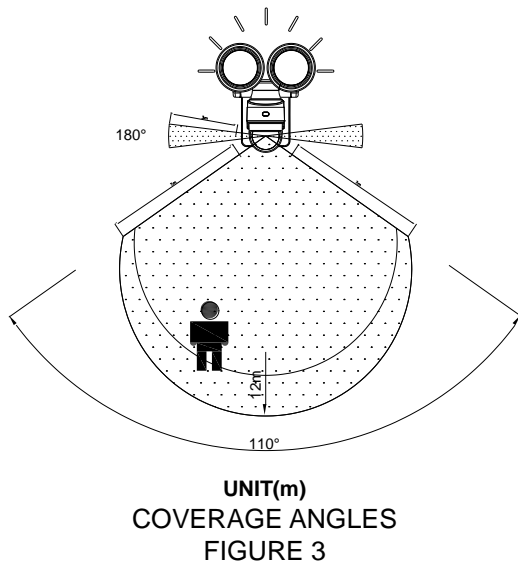


FIGURE 2

INSTALLATION

A drill and a screwdriver are needed for installation. Select a location for the unit based on the coverage angles shown in FIGURE 3.



WIRING INSTRUCTION

- (1) Switch off the power source.
- (2) Detach the wall box by unscrewing the screw adjacent to the control knobs (retain the screw for later use). (FIGURE 4)

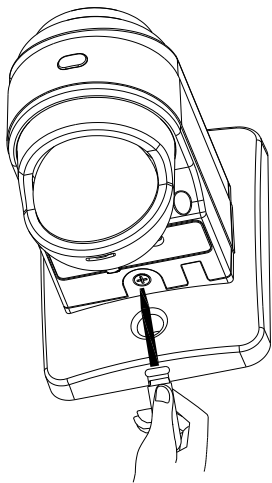
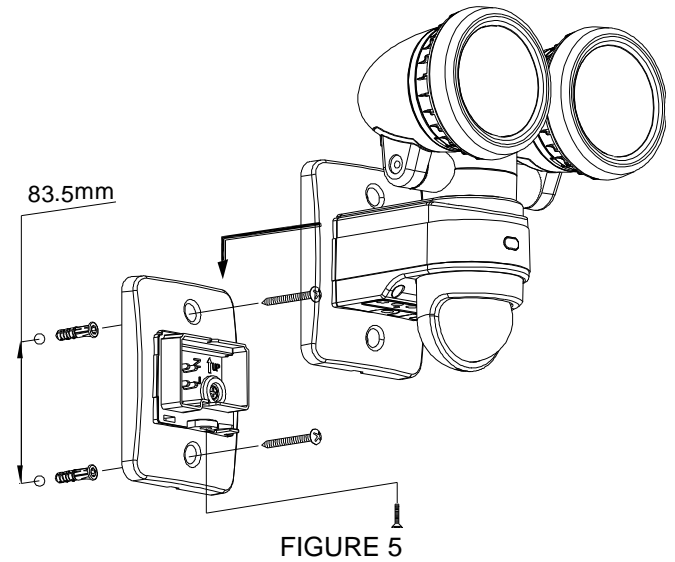


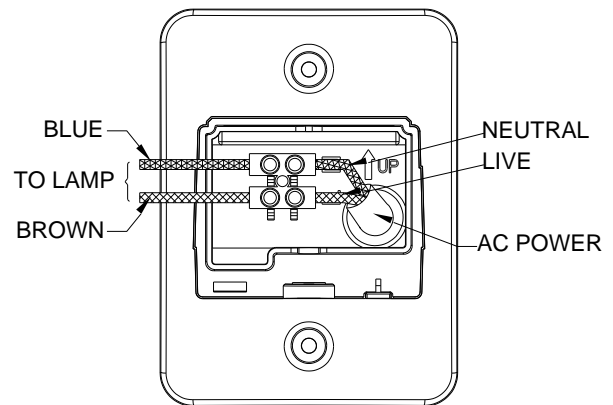
FIGURE 4

- (3) Use a screwdriver to break a small hole on the cable gasket, enabling the power cord to enter the wall box.
- (4) Route the power cord through the cable gasket.
- (5) Determine the proper location to mount the light. Use the wall box as a template to mark the fixing holes on the wall. Drill the holes and insert the plastic wall plugs supplied. Fix the wall box using two screws provided. (FIGURE 5)



- (6) Strip approximately 6-8mm insulating part of the wires from the power cord.
- (7) Connect the BROWN wire (Live wire) to the terminal block "L" mark.

Connect the BLUE wire (Neutral wire) to the terminal block "N" mark. (FIGURE 6)



- (8) Replace the unit to the wall box by fastening the screw retained.

ADJUST ANGLE

The lights can be adjusted up to 45° leftward and rightward respectively; the PIR sensor can be adjusted 90° leftward and 90° rightward. (FIGURE 7a)

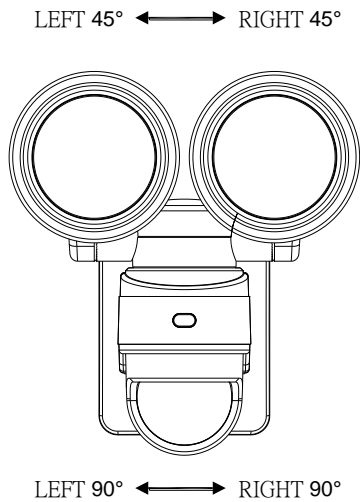


FIGURE 7a

The lights can be adjusted 37.5° downward. For the PIR sensor, on the rear side of motion sensor is an adjustment bar which can be used to adjust the angle of PIR sensor to up to 30° downward. (FIGURE 7b)

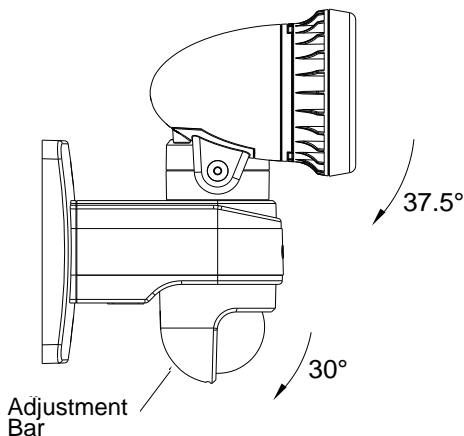


FIGURE 7b

SETTING THE LIGHTING SYSTEM

(1) TEST MODE

- Turn the LUX control and the TIME control counterclockwise to the edge – the TEST position. (FIGURE 8)

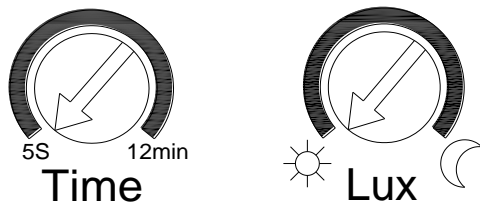


FIGURE 8

- Turn on the wall switch. The unit will start warming up for about 60 seconds. After warm-up it will automatically revert to normal operation. During the warm-up period the lights will stay on.
- Walk through the detection area. The lights turn on when you move and turn off when you stop. Wait until the lights turn off and then move again to test

the sensor.

- Adjust the motion sensor to cover the desired detection area. For a smaller coverage area, point the sensor down; for a larger coverage area, point the sensor up.

(2) TIME ADJUSTMENT

The TIME adjustment controls how long the light will stay on after motion has been detected.

Turn the TIME control knob clockwise to increase (up to 12 minutes) the period the lights stay on or counterclockwise to decrease (down to 5 seconds) the time delay (FIGURE 9).

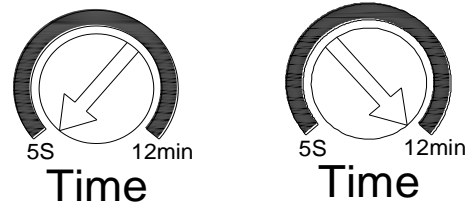


FIGURE 9

(3) LUX ADJUSTMENT

The LUX control knob determines at which ambient Lux level the lights will turn on when the sensor is in Automatic Operation mode.

The adjustable Lux range is between 30 and 200 Lux. Turn the LUX control knob clockwise to the MOON position and the lights will only turn on at night (below 30 Lux). Turn the LUX control knob counterclockwise to increase the Lux setting. Adjust the control knob depending on your requirements.

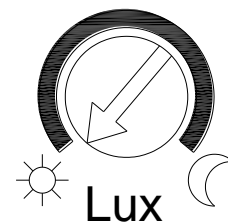


FIGURE 10

OPERATION

Depending on your needs, you can switch the unit between the following operation modes: Automatic Operation and Manual Override.

(1) Automatic Operation

Turn on the wall switch. After about 60 seconds warm-up the sensor will enter Automatic Operation. When the sensor detects motion and the ambient light level is lower than the LUX setting, the lights will automatically turn on. The lights will stay on for the duration of TIME setting and then turn off. Note that if motion is detected again while the lights are still on, the time counting will be reset.

(2) Manual Override

To keep the lights on regardless of the motion, you can override the automatic operation. To enable Manual Override mode, first ensure that the lights are on and then turn the wall switch off and on twice (off-on, off-on) within 3 seconds. The interval between the first and second operation must be within 0.5 - 2 seconds.

In Manual Override mode, the lights will remain on for around 5 hours. After 5 hours the lights will turn off and the motion sensor will revert to Automatic Operation.

Users can also manually set the motion sensor back to Automatic Operation by: 1) turning the wall switch off and on twice within 3 seconds; or 2) turning off the wall switch for at least 10 seconds and then turning it back on.

TROUBLESHOOTING

Light does not turn on

- Confirm that you have made a correct "wiring connection".
- Ensure that the load is within normal range. Change the load if necessary.
- Adjust the LUX control knob by turning it counterclockwise.

Light remains on

- Make sure the wiring connection is correct.
- Adjust the TIME control knob by turning it counterclockwise.
- Make sure that the unit is not in Manual Override mode.

Others

- The specification of protective shield shall consult to local service agent.

SPECIFICATIONS

Power Requirement	AC 220 - 240V / 50Hz
Lighting Load	15W (7.5W x 2)
Color Temperature (K)	5000K
CRI	>75
Lumen (lm)	800lm (400lm x 2)
L70 Life Span (hours)	30000 hr
Detection Angle	Up to 180° at 2m Height
Detection Range	Up to 12m (39.4ft) at 2m Height
Projection Area	7m ²
Sensor Swiveling Angle	Up to 90° Leftward Up to 90° Rightward Up to 30° Downward
Light Adjustable Angle	Up to 45° Leftward Up to 45° Rightward Up to 37.5° Downward

Mounting Height	Recommended 2.5m (8.2ft) Wall Mount
Time Adjustment	5 seconds - 12 minutes
Lux Adjustment	30 - 200 Lux
Operation Mode	Off/Auto/Manual override
Warm Up Time	About 60 seconds
Working Temperature	-20°C - +40°C
Dimension	201 x 185 x 167(mm)
Weight	796±10g
Protection Class	Class II
Protection Degree	IP44
Safety	CE

*Specifications are subject to change without notice.

A501112090R



Warning:

Do not dispose of electrical appliances as unsorted municipal waste, use separate collection facilities.

Contact your local government for information regarding the collection systems available.

If electrical appliances are disposed of in landfills or dumps, hazardous substances can leak into the groundwater and get into the food chain, damaging your health and well-being.