

The Philips Dynamalite DDNG485 is a flexible network communications gateway designed for DyNet RS485 networks. The two opto-isolated RS485 ports enable the DDNG485 to implement a trunk and spur topology on large project sites, with the device providing a high-speed backbone opto-coupled to many lower speed spurs. It also provides isolation of electrical faults to individual spurs. The device is also designed to enable cost effective integration between the Philips Dynamalite control system and third-party devices. The onboard Programmable Logic Controller can assemble and transmit user-defined data strings. The DDNG485 has a DMX mode that can transmit or receive up to 64 channels of DMX512, with automatic DyNet conversion and task triggering. This is a popular method of allowing a lighting operator temporary control of the house lights from the DMX lighting console in an auditorium scenario.

The gateway can also be used for integration directly to the SOMFY blind control system. Includes built-in drivers that map to SOMFY intermediate positions and automatically control the direction of the blind motors, without the need for complex commissioning.

technical data >>>



Supply

12V DC max. 375mA from the DyNet Network, fed via Port 1

Control Ports

2 x RS485 DyNet/DyNet II serial ports

Serial Port Isolation

3.75KV RMS optical isolation between ports

User Controls

Service switch
Diagnostic LED

DMX Functions

- DMX receive: 64 channels
- DMX transmit: 64 channels

Internal Controls

Programmable Logic Controller - 64 Tasks

Serial Port Terminals

Port 1:
SHIELD, GND, D+, D-, +12V, AUX
1 x 2.5mm² max conductor size

Port 2:
SHIELD, GND, D+, D-, +12V
1 x 2.5mm² max conductor size
1 x RJ12 socket for plug in connection

Compliance

CE, C-Tick

Operating Environment

0° to 50°C ambient temperature
0% to 95% RH non-condensing

Storage and Transport

-25 to 60°C ambient temperature
0% to 90% RH non-condensing

Construction

Polycarbonate DIN-rail case
(6 units wide)

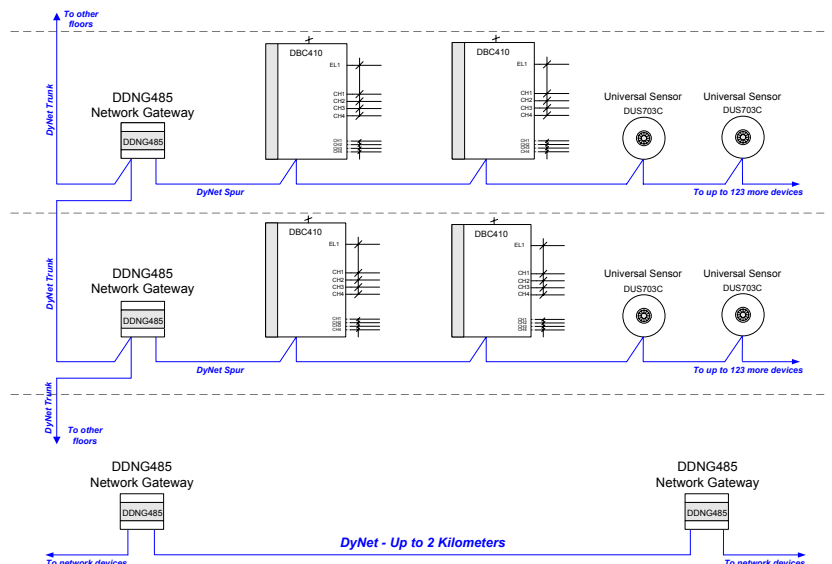
Dimensions

H 93mm x W 105mm x D 75mm

Weight

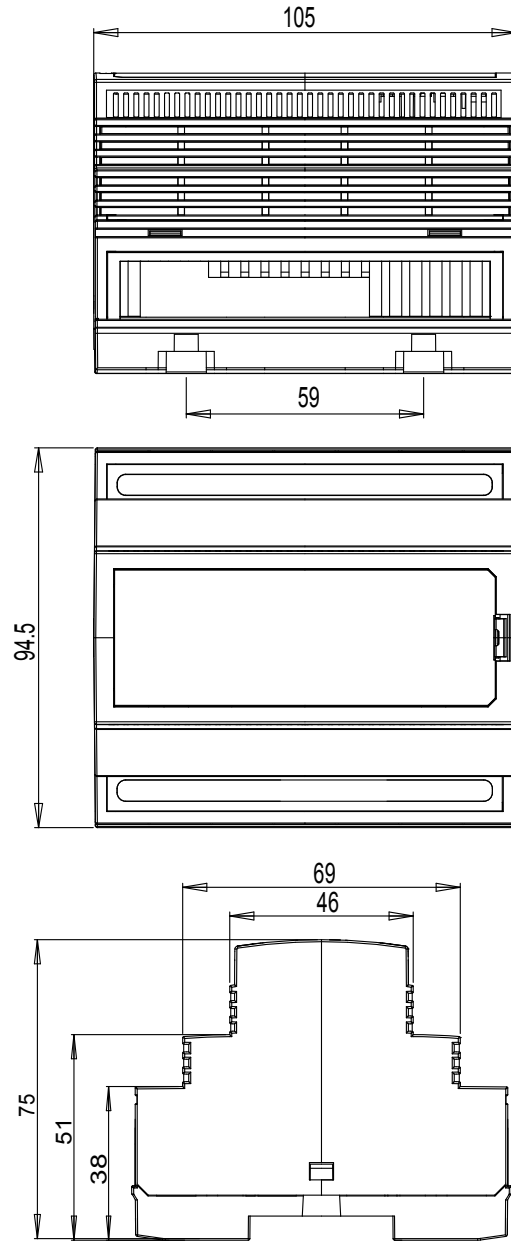
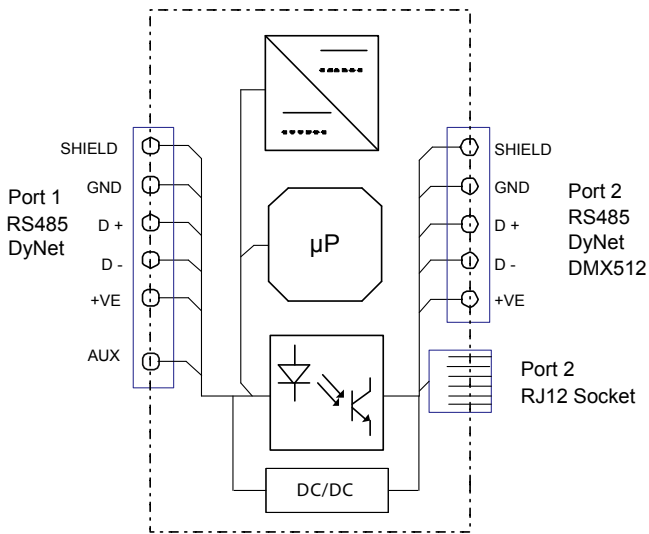
Packed weight 0.25kg

topology example >>>



electrical diagram >>>

mounting dimensions >>>



For further information contact:

