

The DDRC1220FR-GL is designed to control any type of switched load. The power circuit is a “feed through” design and is electrically equivalent to a 12 pole contactor, with the additional advantage of each pole being separately controllable via the DyNet network. The DDRC1220FR-GL is DIN rail mountable, designed to be installed in a switchboard next to the circuit breakers feeding the circuits to be controlled. Each channel is fitted with a hardware override switch which is accessible from the front panel.

technical data >>>



**Control Supply**

100-240V 50/60Hz Single Phase at 0.25A

**Outputs**

12 x Switched feed thru outputs at 20A (inductive) Max total box load 180A.

**Relays**

Rated switch current: 50A resistive, 20A lighting load  
Rated inrush current: 500A

**Supported wiring schemes:**

- Single Phase and Neutral
  - Three Phase and Neutral (Star)
- Maximum Device Load 180A

**Control Inputs**

1 x DMX512 / RS485 DyNet serial port  
1 x programmable dry contact AUX input

**User Controls**

Service Over-ride switch for each channel  
Diagnostic LED

**Internal Controls**

Programmable Logic Controller

**DyNet DC Supply**

12V @ 120mA (supply for approx. 6 panels)

**Preset Scenes**

170

**Supply Terminals**

Line, Neutral, Earth  
1 x 4mm<sup>2</sup> max conductor size

**Output Terminals**

Line In, Line Out for each channel  
1 x 4mm<sup>2</sup> max conductor size

**Diagnostic Functions**

Device Online/Offline status  
Circuit run time tracking  
Network Watchdog

**Compliance**

CE, C-Tick

**Operating Environment**

0° to 50°C ambient temperature  
0% to 95% RH non condensing

**Construction**

Polycarbonate DIN rail enclosure  
(12 unit)

**Dimensions**

H 93mm x W 211mm x D 75mm

**Weight**

Packed weight 1.1kg

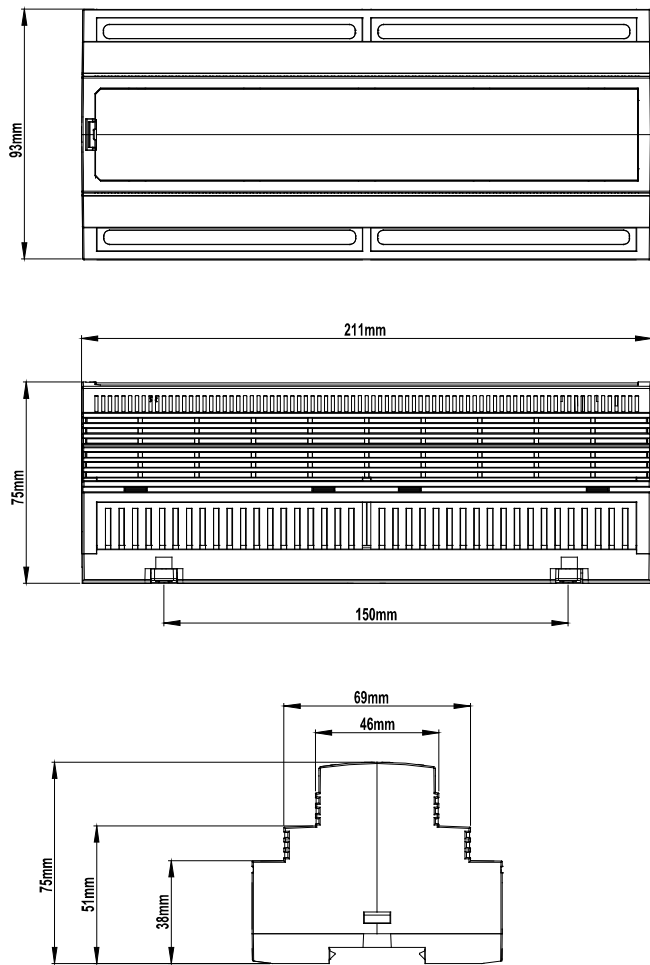
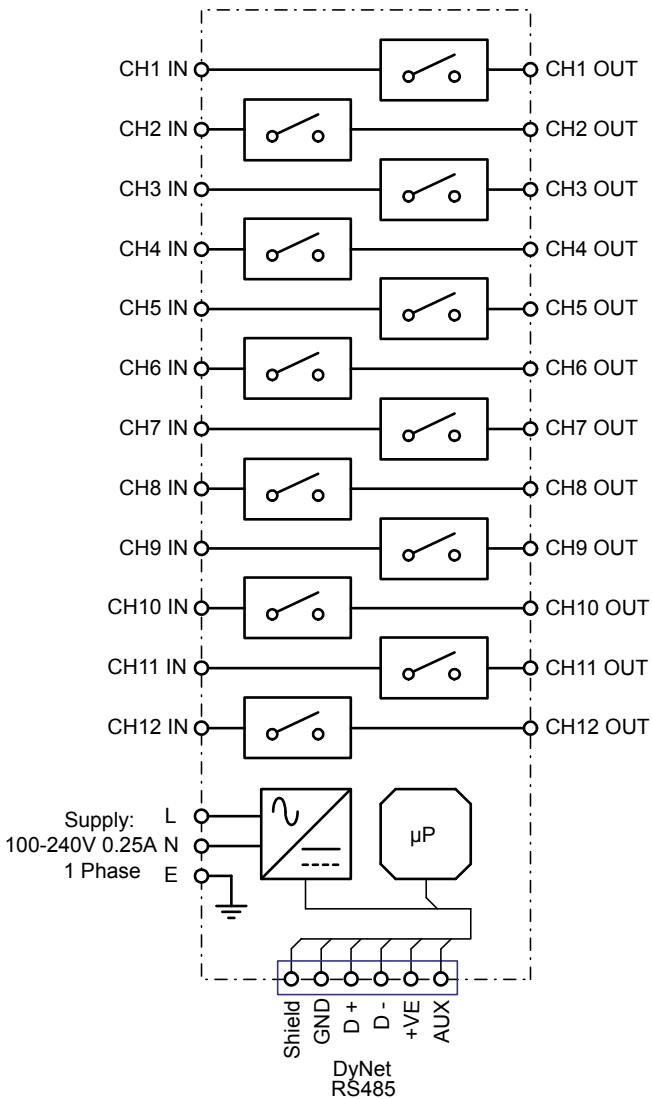
load compatibility >>>

**Load Type** (Max load may be limited by 500A inrush rating)

All Types of switched loads up to 20A inductive

electrical diagram )))

mounting dimensions )))



For further information contact:

