

The DMRC210 is designed to allow intelligent, networked control of individual lighting fixtures. The compact design enables the unit to be mounted directly within the gear enclosure of many fixtures. Each relay controller incorporates two relay outputs which can be used to control mains supply to the fixture and to provide an intensity control when used with tapped ballasts. The relays are very robust and are fully rated for difficult lighting loads.

**technical data** 



**Supply**

100-240V 50/60Hz Single Phase at 20A

**Outputs**

2 x switched output at 10A (inductive)

**Switching Device**

Relay, Tungsten pilot contact, 16A inductive, 165A surge

**Control IO**

1 x RS485 DyNet/DMX512 serial port

**DyNet DC Supply**

12V @ 150mA (supply for approx. 7 panels)

**Preset Scenes**

170

**Supply Terminals**

Line, Neutral  
1 x 4mm<sup>2</sup> max conductor size

**Output Terminals**

Line1, Line2, Neutral  
1 x 4mm<sup>2</sup> max conductor size

**Diagnostic Functions**

Device Online/Offline status

**Compliance**

CE, C-Tick

**Operating Environment**

50°C max

**Enclosure**

ABS plastic

**Dimensions**

L 185mm x W 44mm x D 38mm

**Weight**

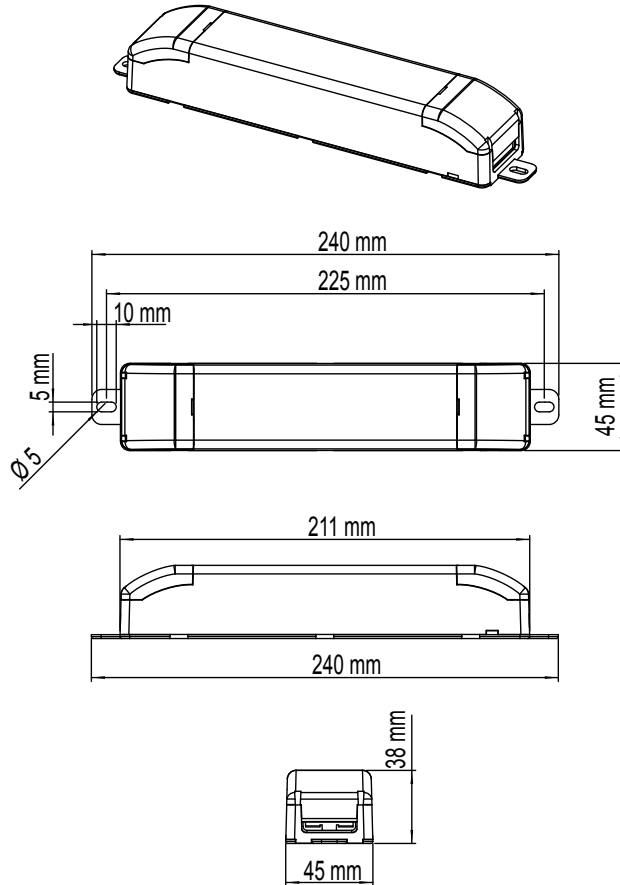
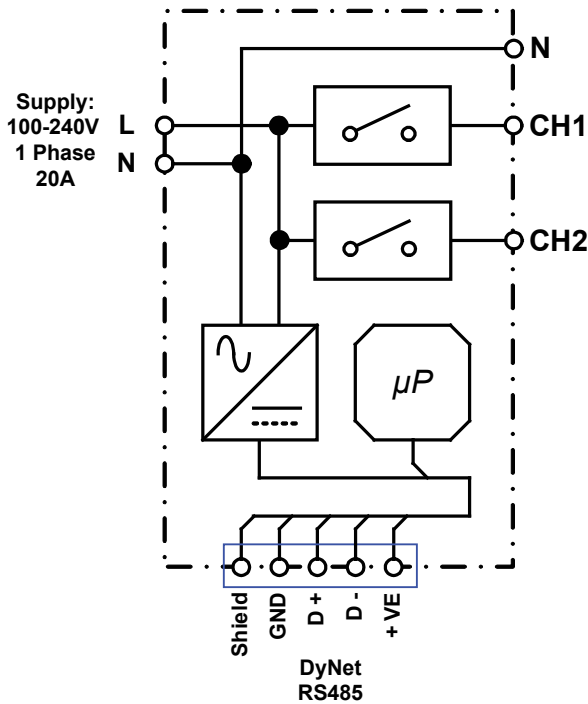
Packed weight 0.19kg

**load compatibility** 

All types of Switched loads

electrical diagram >>>

mounting dimensions >>>



For further information contact:

