



OccuSwitch Classic

Self-Contained Daylighting Occupancy Sensor LRM2376

The OccuSwitch Classic Self-Contained Daylighting Occupancy Sensor offers Passive Infrared (PIR) occupancy detection and photocell control of 0-10VDC dimmable ballasts. The LRM2376 is an effective solution for areas where both occupancy and daylight need to be considered in the control scenario. With an integrated line switching relay, the LRM2376 is perfect for applications where locating a power pack is difficult, such as retrofitting rooms with concrete or inaccessible ceilings.

The LRM2376 occupancy sensor detects changes in the infrared energy given off by occupants as they move within the field-of-view. The LRM2376 photocell maintains the total room light level by controlling levels of 0-10VDC dimmable ballasts. The photocell has full On/Off control the load during periods of occupancy. There is also a second occupancy time-out period that enables the lights to go to a dim setting before turning off. The sensor is line powered, switches line voltage, and requires no field calibration or sensitivity adjustments. An adjustable occupancy time delay ensures lights turn off if no occupancy is detected. This timer is factory set at 10 minutes, but is manually adjustable between 30 seconds and 20 minutes or it can be automatically adjusted by the sensor. Additionally, this sensor maintains statistics on total lamp on time and number of cycles.

Features

- 100% Digital PIR detection, excellent RF immunity.
- 360° coverage pattern
- Photocell controlled dimming maintains constant light level.
- An additional occupancy time-out period enables lights to go to a dim setting before turning off.
- Auto set-point calibration for photocell
- No field calibration or sensitivity adjustments required
- Self-contained relay, no power pack needed.
- No minimum load requirements.
- 100 hour lamp burn-in timer mode and convenient test mode.

- Assembled in U.S.A.

Applications

- Rooms with windows or skylights
- Retrofit projects

Job Information	Device Type #: _____
Job Name: _____	
Cat. No.: _____	
Notes:	

PHILIPS

OccuSwitch Classic

Self-Contained Daylighting Occupancy Sensor (LRM2376)

Technical data*

Mounting: 3.5" octagon box or single gang handy box.

Load Rating: 800W @ 120VAC
1200W @ 277VAC
No minimum load.
Dimming load—sinks <20mA (~40 ballasts @ 0.5mA each)
1/4 HP motor load.

Operating voltages: 120VAC, 50/60Hz
277VAC, 50/60Hz

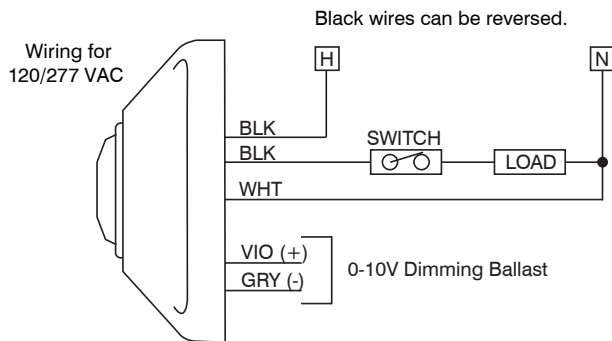
Regulatory compliance: UL, cUL, and Title 24.

Environmental conditions: Operating Temp: 14 to 160°F (-10 to 71°C)
Storage Temp: -14 to 160°F (-26 to 71°C)
Relative humidity: 20 to 90%, NC

Physical dimensions: Diameter: 4.55" (11.56cm)
Depth: 1.55" (3.94cm)
Weight: 6oz (0.17kg)

Sensor color: White.

Wiring

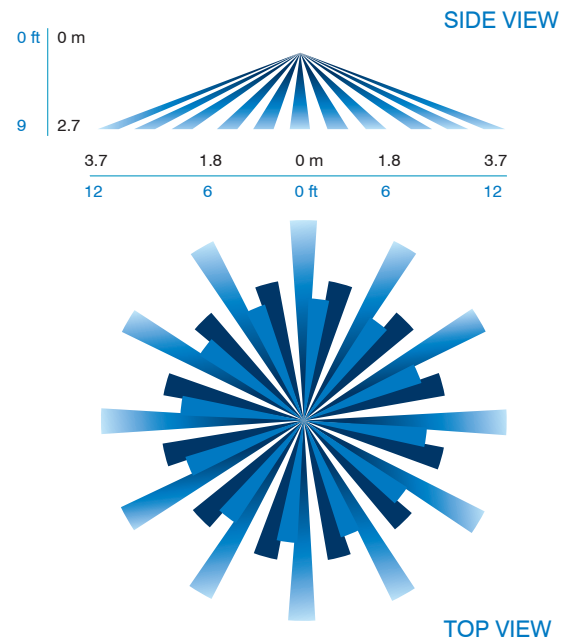


Initial Power Up

The sensor's relays are shipped in a latched closed position so the lights will come on upon initial power-up. If the lights do not immediately turn on (initial installation only) the latching relays opened during shipment and will close within 30 seconds.

Note: If the sensor loses power, the internal relays will latch to on.

Field of view



*Subject to change without notice.

Ordering information

Ordering Code	Description
LRM23761	OccuSwitch Classic Self-Contained Daylighting Occupancy Sensor



©2012 Philips Lighting Electronics N.A.
A Division of Philips Electronics North America Corporation.

All rights reserved.
Published and printed in USA June 2012

Form number: DS.LRM2376.1.06072012

Philips Lighting
Customer Support: +1-855-512-8791
www.philips.com/lightingcontrolsna