

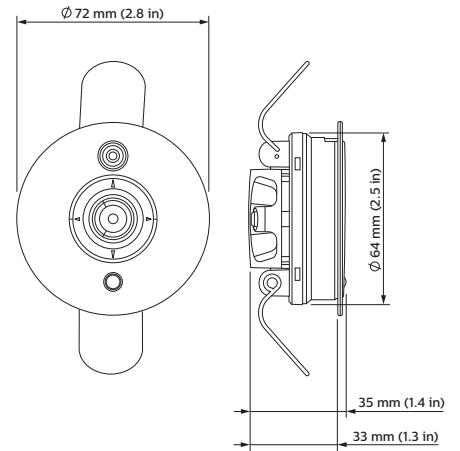


## DUS804C-DALI Multifunction Sensor

Low profile sensor powered by the DALI network

The DUS804C-DALI is a recess mountable 360 degree multifunction sensor that combines motion detection (PIR) and ambient light level detection (PE) in one device. The DUS804C-DALI is powered and communicates to the network control system via a DALI bus.

- Powered directly by the DALI network — Eliminates the need for additional network field wiring.
- Works with DALI master controller — Requires a DALI MultiMaster controller, such as the DDBC I20-DALI, to operate.
- Motion detection feature — Detection of motion within scanned area triggers a programmed lighting action.
- Segmented click-up bezel — Surrounds the motion sensor element and enables a portion of the sensing field to be masked. This prevents nuisance detection from adjacent doorways or corridors.
- Ambient light level detection and daylight harvesting — In applications where it is critical to maintain precise light, the PE function reads ambient levels and adjusts artificial light accordingly.
- Daylight Harvesting mode — Delivers automatic energy savings.



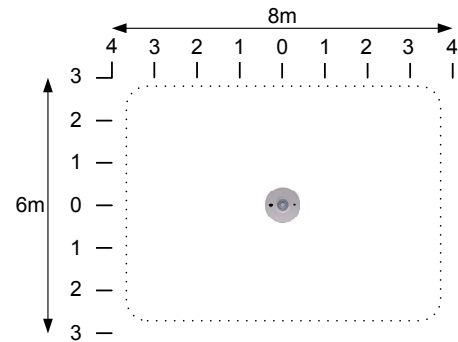
For detailed product information, please refer to the product information pages at [www.philips.com/dynalite](http://www.philips.com/dynalite) and follow the links.

## Specifications

Due to continuous improvements and innovations, specifications may change without notice.

Item	Specification	Details
Hardware	Motion Detector	Standard Sensitivity Maximum detection range: 5 m Detection area: 7.4 m to 5.6 m rectangular (at a height of 2.5 m) Detection speed: 1.0 m/s Detection object: 700 mm x 250 mm Detection zones: 64 LED activation indicator Sensor: Quad element pyroelectric
	PE Cell	Range 5 lux to 5000 lux (incident on sensor) Range 5 lux to 5000 lux (illumination of non-reflective surface in sensor's field of view) Note: value subject to the reflectance properties of the surface Automatic 'Daylight Harvesting' mode
	Control Bus	DALI bus with a Philips Dynalite MultiMaster controller
	DALI Power Consumption	9 mA (total 10 user interfaces on one DALI universe)
	Terminals	5 way terminal strip, loop in, loop out 1 x 5 mm <sup>2</sup> max strain relief unit conductor size
Network	Controls	Walk test/IR received LED indicator Service pushbutton
	Configurations	All functions remotely programmable
Physical	Dimensions (H x W x D)	72 mm dia. x 35 mm (2.8" dia. x 1.4")
	Packed Weight	0.116 kg
	Construction	ABS plastic enclosure
	Operating Conditions	Temperature: -0 to 45° C ambient Humidity: 10 to 90% non-condensing
	Storage & Transport	Temperature: -25 to 60° C ambient Humidity: 0 to 90% non-condensing
Certification	Certification	CE, C-Tick
Options & Ordering	Standard Product	DUS804C-DALI (Philips I2NC - 913703570409)

## Lens Pattern



Philips Dynalite  
6 / 691 Gardeners Road  
Mascot, NSW 2020  
Australia  
Tel: +61 2 8338 9899  
Email: [dynalite.info@philips.com](mailto:dynalite.info@philips.com)  
Web: [www.philips.com/dynalite](http://www.philips.com/dynalite)

Specifications subject to change without notice. ©WMGD Pty Ltd Trading as Dynalite. Unit 6, 691 Gardeners Road Mascot 2020 Australia. ABN 33 097 246 921. All rights reserved. Dynalite, DyNet and associated logos are the registered trademarks of WMGD Pty Ltd. Not to be reproduced without permission.