

Offering enhanced versatility by design to lighting controls.

SUNRISE ELECTRONIC WALL DIMMER



PHILIPS CONTROLS SUNRISE PRE-SET ELECTRONIC DIMMER LED AND CFL

The Philips Sunrise Preset Electronic Wall Dimmer has been redesigned for use in most common load type fixtures as well as LED and CFL luminaires in most commercial and residential settings. These products provide entry-level dimming control for a wide range of common load types including 277V fluorescent ballast load control and 3-way compatibility. All models include field changeable plastics in White, Ivory, and Light Almond for simple color changes to compliment any décor. All Sunrise Electronic Wall Dimmers have a 5 year warranty.

Project: _____

Location: _____

Catalog No: _____

Fixture Type: _____

Mfg: _____ Lamps: _____ Qty: _____

Notes: _____

Ordering Information

Model	Load Type	Voltage	Wattage	3-Way
SR150LED120	LED, CFL, Incandescent	120	150/600*	-
SR1200ZTUNV	0-10V Dimmable LED, Fluorescent	120/277	1200	-
SR600MK10120	Mark 10	120	600	-
SR1000MK10277	Mark 10	120	1000	-
SR600MK10277	Mark 10	277	600	-
SR1200MK10277	Mark 10	277	1200	-
SR1000VA120	MLV, Incandescent, Neon, Cold Cathode	120	1000	-
SR1000FPC120	Incandescent	120	1000	-
SR400RPC120	ELV	120	400	-
SR1AFC120	Fan Control	120	1.5A	-
SR3W	3-Way Remote, White	120/277	-	-
SR3I	3-Way Remote, Ivory	120/277	-	-
SR3LA	3-Way Remote, Light Almond	120/277	-	-

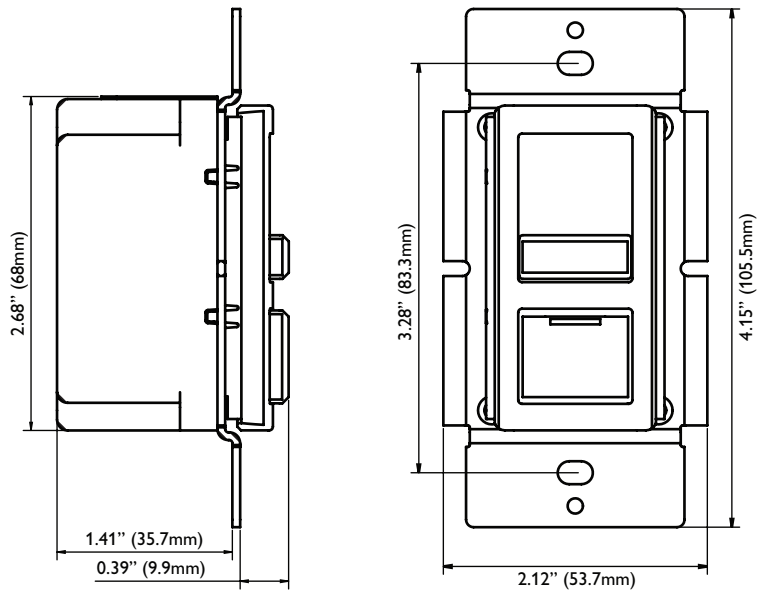
*150W CFL/LED, 600W Incandescent

SUNRISE ELECTRONIC WALL DIMMER

Technical Data

- Captive Slider Knob
- Fits in a single gang box
- May be ganged together
- Compatible with Decorator-style faceplates
- Field changeable colors: White, Ivory, and Light Almond kits included in every box (Except remotes)
- Dedicated LED and CFL dimmer
- All major load types 120V-277Vn available
- 3-way control
- For networked wall control applications, use MultiSet Pro.
- 5 year Warranty

Dimensions



© 2013 Koninklijke Philips N.V. (Royal Philips). All rights reserved.
Specifications are subject to change without notice.
www.philips.com/luminaires

SUNRISE 10/13 page 2 of 2

Philips Lighting Company
200 Franklin Square Drive
Somerset, NJ 08873
Phone: 855-486-2216

Philips Lighting Company
281 Hillmount Road
Markham ON, Canada L6C 2S3
Phone: 800-668-9008