



# UrbanStar – combining innovative design and LED performance

## UrbanStar

In residential areas, the familiar conical luminaires equipped with PL-L or HPL lamps can now be replaced by a charming design luminaire incorporating leading-edge LED technology – without losing any of the visual balance and ambiance provided by the former solution. UrbanStar is a highly efficient LED luminaire, which enables a significant reduction in energy consumption compared to PL-L solutions. It has been specially designed for residential applications, and its translucent cone delivers very comfortable light.

### Benefits

- Up to 40% energy saving compared with PL-L
- Comfortable light creates atmosphere

### Features

- Dedicated optic
- Frosted protector
- Uniform light distribution
- Available in warm white and neutral white

### Application

- Residential areas



**PHILIPS**

## Specifications

• Type	BDS100	• Optic	Distribution residential wide (DRW) and symmetrical (S)
• Light source	Integral LED-module	• Optical cover	Acrylic bowl/cover, frosted
• Power	3000 K: 11-40 W depending on configuration 4000 K: 12-40 W depending on configuration	• Material	Base: die-cast aluminum Cone and top: polycarbonate
• Luminous flux (system)	3000 K: 925-2634 lm 4000 K: 1113-3184 lm	• Color	Base and top: signal grey, Philips grey (10715), green grey, blue grey or umbra grey Other RAL or AKZO Futura colors available on request
• Luminaire efficacy	Up to 90 lm/W	• Installation	Post-top mounting: Ø 60 and 76 mm Recommended mounting height: 5 m Standard tilt angle post top: 0° Max SCx: 0,155 m <sup>2</sup>
• Correlated Color Temperature	Neutral white: 4000 K Warm white: 3000 K		
• Color Rendering Index	Neutral white: ≥ 70 Warm white: ≥ 80		
• Maintenance of lumen output - L80F10	70,000 hours		
• Driver failure rate	0.05% per 5000 hours		
• Operating temperature range	-20 °C < T <sub>a</sub> < 25 °C		
• Driver	Built-in (self ballasted LED-module)		
• Mains voltage	210-240 V / 50-60 Hz		
• Dimming	CLO		
• Controls system input	1-10 V and DALI		
• Options	Dimming: - Lumistep 6, 8 hours - Dynadimmer - Constant Light Output (CLO) - SDU - 1-10 V - DALI - StarSense (1-10 V or DALI) - RF Antenna - Mains dimming - Nema socket - Photocell: mini cell 35, 55, 75 lux Cable: 6, 8, 12 m		

## Related products

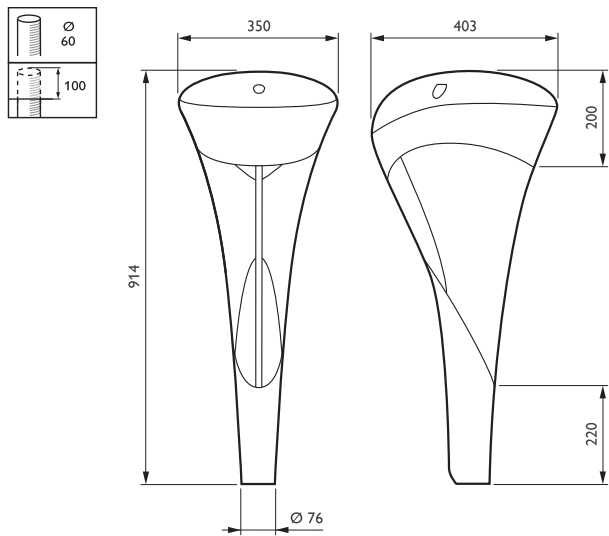


UrbanStar BDS100 LED luminaire



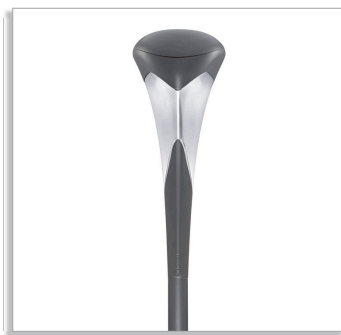
UrbanStar BDS100 LED luminaire

## Dimensional drawing



BDS100 LED12--3S/830 I DGR CLO C5K

## Product details



Back view



Back view

## General information (1/2)

Order code	Product family code	Number of light sources	Lamp family code	Lamp version	Light source color	Number of gear units	Driver included	Mech. impact protection code	Optic type	Parts color	Color
910505016165	BDS100	8	LED12	3S	830	1	true	IK08	DRW	AL	DGR
910505016166	BDS100	8	LED18	3S	830	1	true	IK08	DRW	AL	DGR
910505016167	BDS100	12	LED23	3S	830	1	true	IK08	DRW	AL	DGR
910505016168	BDS100	8	LED14	3S	740	1	true	IK08	DRW	AL	DGR
910505016169	BDS100	8	LED22	3S	740	1	true	IK08	DRW	AL	DGR
910505016170	BDS100	12	LED28	3S	740	1	true	IK08	DRW	AL	DGR
910505016172	BDS100	8	LED12	3S	830	1	true	IK08	DRW	AL	DGR
910505016173	BDS100	8	LED18	3S	830	1	true	IK08	DRW	AL	DGR
910505016174	BDS100	12	LED23	3S	830	1	true	IK08	DRW	AL	DGR
910505016175	BDS100	8	LED14	3S	740	1	true	IK08	DRW	AL	DGR
910505016176	BDS100	8	LED22	3S	740	1	true	IK08	DRW	AL	DGR
910505016177	BDS100	12	LED28	3S	740	1	true	IK08	DRW	AL	DGR
910505016171	BDS100	12	LED23	3S	830	1	true	IK08	DRW	AL	-

## General information (2/2)

Order code	Product family code	Coating	Dimmable	Light regulation percentage	Glow-wire test	CE mark	ENEC mark	ReddotDesign Award Winner mark
910505016165	BDS100	No	Yes	-	650/5	CE	ENEC	RDDAW-2012
910505016166	BDS100	No	Yes	-	650/5	CE	ENEC	RDDAW-2012
910505016167	BDS100	No	Yes	-	650/5	CE	ENEC	RDDAW-2012
910505016168	BDS100	No	Yes	-	650/5	CE	ENEC	RDDAW-2012
910505016169	BDS100	No	Yes	-	650/5	CE	ENEC	RDDAW-2012
910505016170	BDS100	No	Yes	-	650/5	CE	ENEC	RDDAW-2012
910505016172	BDS100	No	Yes	50	650/5	CE	ENEC	RDDAW-2012
910505016173	BDS100	No	Yes	50	650/5	CE	ENEC	RDDAW-2012
910505016174	BDS100	No	Yes	50	650/5	CE	ENEC	RDDAW-2012
910505016175	BDS100	No	Yes	50	650/5	CE	ENEC	RDDAW-2012
910505016176	BDS100	No	Yes	50	650/5	CE	ENEC	RDDAW-2012
910505016177	BDS100	No	Yes	50	650/5	CE	ENEC	RDDAW-2012
910505016171	BDS100	No	Yes	-	650/5	CE	ENEC	RDDAW-2012

## Light technical

Order code	Product family code	Standard tilt angle posttop	Standard tilt angle side entry
910505016165	BDS100	0	0
910505016166	BDS100	0	0
910505016167	BDS100	0	0
910505016168	BDS100	0	0
910505016169	BDS100	0	0
910505016170	BDS100	0	0
910505016172	BDS100	0	0

Order code	Product family code	Standard tilt angle posttop	Standard tilt angle side entry
910505016173	BDS100	0	0
910505016174	BDS100	0	0
910505016175	BDS100	0	0
910505016176	BDS100	0	0
910505016177	BDS100	0	0
910505016171	BDS100	0	0



© 2014 Koninklijke Philips N.V. (Royal Philips)  
All rights reserved.

Specifications are subject to change without notice. Trademarks are the property of Koninklijke Philips N.V. (Royal Philips) or their respective owners.

[www.philips.com/lighting](http://www.philips.com/lighting)

2014, May 22  
data subject to change