



# FlowStar – LED tunnel entrance and point-source interior lighting

## FlowStar Large

Tunnel operators are looking for an LED solution for both interior and entrance lighting that delivers cost, safety and availability benefits over the full lifetime of the product. FlowStar's stainless-steel modular build and dedicated LED design provide a long-lasting and efficient LED alternative to conventional HPS lighting. FlowStar can also be combined with our controls and services for the highest levels of performance.

### Benefits

- High lumen output; dedicated tunnel luminaire that can replace HPS entrance lighting
- Long-lasting, highly efficient lighting solution for the whole tunnel
- Easy to install and maintain

### Features

- A lifetime solution for both tunnel entrance and interior lighting in combination with service packages
- Designed for maintenance (modular build and glass cover)
- Can be integrated with controls (e.g. TunneLogic) and services for best system performance
- True point-for-point LED alternative to HPS up to 400 W
- For entrance lighting, it can be combined with the FlowLine linear interior luminaire
- Can compete on Total Cost of Ownership with current HPS solutions within the TotalTunnel approach

### Application

- Traffic tunnels and underpasses

**PHILIPS**

Specifications

<ul style="list-style-type: none"> <li>• <b>Type</b> BGB300 (ENTRANCE version) BGB310 (INTERIOR version)</li> <li>• <b>Light source</b> Integral LED-module</li> <li>• <b>System power</b> BGB300: 79 up to 435 W BGB310: 68 up to 370 W</li> <li>• <b>Luminous flux</b> BGB300: 9,200 up to 50,000 lm BGB310: 8,200 up to 44,000 lm</li> <li>• <b>Luminaire efficacy</b> &gt; 100 lm/W</li> <li>• <b>Correlated Color Temperature</b> 4000 K (neutral white, NW) 5700 K (cool white, CW)</li> <li>• <b>Color Rendering Index</b> &gt; 70</li> <li>• <b>Maintenance of lumen output - L80F10</b> &gt; 100,000 hours at 25 °C</li> <li>• <b>Operating temperature range</b> -25 to +40 °C</li> <li>• <b>Driver</b> Separate (non-self ballasted LED-module)</li> <li>• <b>Mains voltage</b> 220-240 V / 50-60 Hz</li> <li>• <b>Dimming</b> DALI or SDU dimmable</li> <li>• <b>Optic</b> Tunnel asymmetrical (DTA) Tunnel counter-beam (DTCB) Tunnel symmetrical (DTS) Tunnel asymmetrical wide beam (DTA-WB) Tunnel symmetrical wide beam (DTS-WB)</li> <li>• <b>Optical cover</b> Tempered glass, hard</li> </ul>	<ul style="list-style-type: none"> <li>• <b>Material</b> Housing: stainless steel Heatsink: aluminum Cover: glass, thermally toughened</li> <li>• <b>Color</b> Not painted stainless steel and anodized aluminum</li> <li>• <b>Connection</b> Plugs connections or flying lead</li> <li>• <b>Maintenance</b> Long lasting sealed units easy and fast to exchange</li> <li>• <b>Installation</b> Ceiling mounted 6 flange mounting clamps included for fast installation and alignment in the horizontal plane Option for plugs connection for plug and play installation Recommended mounting height: &gt; 4 m</li> <li>• <b>Cable gland</b> Flying lead versions: M20 Plug and play version: 2 receptacles for DALI (in and out) and 1 receptacle for power in</li> <li>• <b>Remarks</b> Separate FlowStar LED units are available (BGB300 and BGB310 with dedicated designations) Separate FlowStar driver units are available (EGB300 and EGB310 with dedicated designations) Separate mounting clamp sets (set of 4 and set of 6 pcs) are available For the versions equipped with connection sockets, cables with matching plugs are available</li> </ul>
---------------------------------------------------------------------------------------------------------------------------------------------------------------------------------------------------------------------------------------------------------------------------------------------------------------------------------------------------------------------------------------------------------------------------------------------------------------------------------------------------------------------------------------------------------------------------------------------------------------------------------------------------------------------------------------------------------------------------------------------------------------------------------------------------------------------------------------------------------------------------------------------------------------------------------------------------------------------------------------------------------------------------------------------------------------------------------------------------------------------------------------------------	----------------------------------------------------------------------------------------------------------------------------------------------------------------------------------------------------------------------------------------------------------------------------------------------------------------------------------------------------------------------------------------------------------------------------------------------------------------------------------------------------------------------------------------------------------------------------------------------------------------------------------------------------------------------------------------------------------------------------------------------------------------------------------------------------------------------------------------------------------------------------------------------------------------------------------------------------------------------------------------------------------------------------------------------------------------------------------------------------------------------------------------------------------------------------------------------------

Related products



FlowStar large BGB300/BGB310 tunnel and underpass luminaire

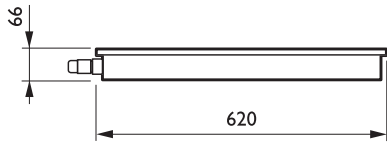
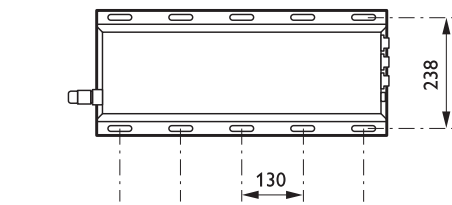


FlowStar large BGB300/BGB310 LED unit

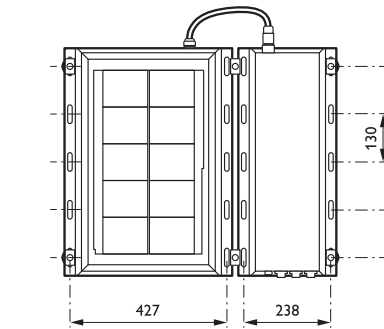
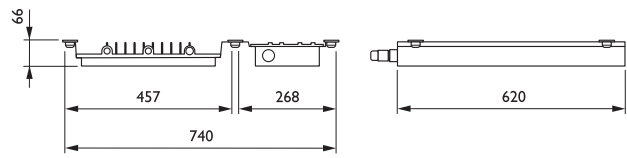
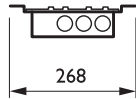


FlowStar EGB300/EGB310 driver unit

Dimensional drawing



EGB300 50K PSD SH D9



BGB300 50K/NW PSD SH DTS D9

Product details



Plug & play connectivity (MDD): one mains and two separate DALI plug connections on the driver unit



Plug & play connectivity (MDD): mains and DALI cables plugged in



Top view of driver unit Large



Top view of LED unit Large



LED unit with flying lead and plug

## General information

Order code	Product family code	Lamp family code	Light source color	Driver included	Mech. impact protection code	Optic type	Optical cover/lens type	Dimmable	CE mark	ENEC mark
912300022801	BGB300	ECO	NW	false	IK08	DTS	GT	Yes	CE	No
912300022802	BGB300	ECO	NW	false	IK08	DTS	GT	Yes	CE	No
912300022803	BGB300	ECO	NW	false	IK08	DTS	GT	Yes	CE	No
912300022804	BGB300	ECO	NW	true	IK08	DTS	GT	Yes	CE	No
912300022805	BGB310	ECO	NW	false	IK08	DTS	GT	Yes	CE	No
912300022806	BGB310	ECO	NW	false	IK08	DTS	GT	Yes	CE	No
912300022807	BGB310	ECO	NW	false	IK08	DTS	GT	Yes	CE	No
912300022808	BGB310	ECO	NW	false	IK08	DTS	GT	Yes	CE	No
912300022814	BGB300	-	NW	false	IK08	DTS	GT	No	CE	No
912300022815	BGB300	-	NW	false	IK08	DTS	GT	No	CE	No
912300022816	BGB300	-	NW	false	IK08	DTS	GT	No	CE	No
912300022817	BGB300	-	NW	false	IK08	DTS	GT	No	CE	No
912300022818	BGB310	-	NW	false	IK08	DTS	GT	No	CE	No
912300022819	BGB310	-	NW	false	IK08	DTS	GT	No	CE	No
912300022820	BGB310	-	NW	false	IK08	DTS	GT	No	CE	No
912300022821	BGB310	-	NW	false	IK08	DTS	GT	No	CE	No
912300022832	EGB300	-	-	-	IK08	-	-	-	CE	-
912300022833	EGB300	-	-	-	IK08	-	-	-	CE	-
912300022834	EGB300	-	-	-	IK08	-	-	-	CE	-
912300022835	EGB300	-	-	-	IK08	-	-	-	CE	-
912300022836	EGB310	-	-	-	IK08	-	-	-	CE	-
912300022837	EGB310	-	-	-	IK08	-	-	-	CE	-
912300022838	EGB310	-	-	-	IK08	-	-	-	CE	-
912300022839	EGB310	-	-	-	IK08	-	-	-	CE	-

## Light technical

Order code	Product family code	Standard tilt angle posttop	Standard tilt angle side entry	Light source flux
912300022801	BGB300	0	0	50K
912300022802	BGB300	0	0	30K
912300022803	BGB300	0	0	18K
912300022804	BGB300	0	0	9K
912300022805	BGB310	0	0	45K
912300022806	BGB310	0	0	27K
912300022807	BGB310	0	0	16K
912300022808	BGB310	0	0	8K
912300022814	BGB300	0	0	50K
912300022815	BGB300	0	0	30K
912300022816	BGB300	0	0	18K
912300022817	BGB300	0	0	9K
912300022818	BGB310	0	0	45K

Order code	Product family code	Standard tilt angle posttop	Standard tilt angle side entry	Light source flux
912300022819	BGB310	0	0	27K
912300022820	BGB310	0	0	16K
912300022821	BGB310	0	0	8K
912300022832	EGB300	-	-	50K
912300022833	EGB300	-	-	30K
912300022834	EGB300	-	-	18K
912300022835	EGB300	-	-	9K
912300022836	EGB310	-	-	45K
912300022837	EGB310	-	-	27K
912300022838	EGB310	-	-	16K
912300022839	EGB310	-	-	8K



© 2015 Koninklijke Philips N.V. (Royal Philips)  
All rights reserved.

Specifications are subject to change without notice. Trademarks are the property of Koninklijke Philips N.V. (Royal Philips) or their respective owners.

[www.philips.com/lighting](http://www.philips.com/lighting)

2015, January 29  
data subject to change