



UNIflood LED – reliable, cost-effective LED architectural lighting

UNIflood

UNIflood is a mono-color LED floodlighting fixture designed for a wide range of architectural floodlighting applications. Available in a choice of whites and other light colors, it offers reliable quality and outstanding performance. The fixture's advanced LED technology creates a vivid and harmonious ambience at night whilst also saving energy.

Benefits

- Better lighting effect: controllable and maintenance-free
- Creates ambience at night while also saving energy
- Comes with the most popular interface for flexible system integration

Features

- Low investment cost
- Advanced LED technology
- Outstanding performance with reliable quality
- Reliable waterproof housing with protective vents
- Choice of light colors: neutral and warm white, amber, red, green and blue

Application

- Building façades
- Bridges
- Sculptural lighting

PHILIPS

Specifications

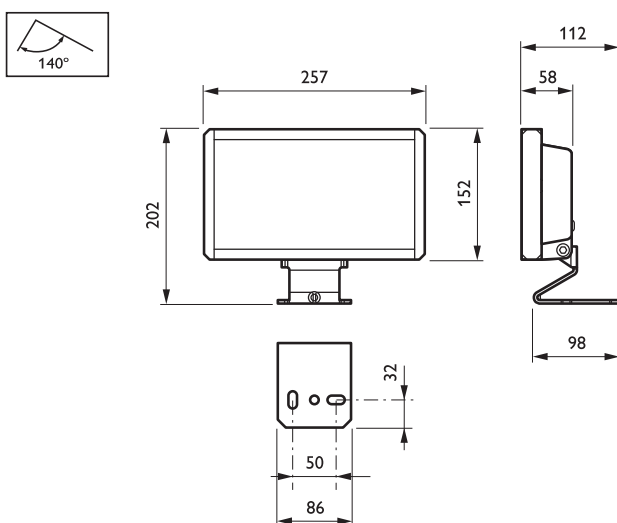
• Type	BCP260	• Controls system input	DMX control
• Light source	Build-in LED-module	• Optic	Symmetrical
• Power (+/-10%)	42 W	• Optical cover	Decorative glass Transparent cover
• Beam angle	18, 40 or 50°	• Material	Housing: die-cast aluminum Lens: clear polycarbonate / PMMA
• Luminous flux	2200 lm	• Color	Housing: silver End cap: black
• Luminaire efficacy	55 lm/W (for 3000 K)	• Connection	Screw connection block
• Correlated Color Temperature	2700, 3000, 4000 K	• Maintenance	No internal cleaning required
• Color Rendering Index	80	• Installation	Rear access for mains connection, cable entry via M12 cable gland Drag factor (Cx): 1.2 Projected area in horizontal position: 0.039 m ² Max adjustment from the horizontal: 0 to +140°
• Maintenance of lumen output - L70	50,000 hours at Ta = 25 °C		
• Operating temperature range	-20 to +50 °C		
• Driver	Built-in (self ballasted LED-module)		
• Mains voltage	24 V DC		
• Dimming	Compatible with standard DMX communication protocol		

Related products



UNiflood BCP260 floodlight

Dimensional drawing



BCP260 24xLED-HP/WW-2700 24V WB DMX

General information

Order code	Product family code	Number of light sources	Lamp family code	Light source color	Mech. impact protection code	Optic type	Flammability mark
911401600121	BCP260	24	LED-HP	WW	IK06	WB	F
911401600131	BCP260	24	LED-HP	WW	IK06	MB	F
911401600141	BCP260	24	LED-HP	WW	IK06	NB	F
911401600151	BCP260	24	LED-HP	WW	IK06	MB	F
911401600161	BCP260	24	LED-HP	WW	IK06	NB	F
911401600171	BCP260	24	LED-HP	GN	IK06	WB	F
911401600181	BCP260	24	LED-HP	GN	IK06	MB	F
911401600191	BCP260	24	LED-HP	GN	IK06	NB	F
911401600202	BCP260	24	LED-HP	BL	IK06	WB	F
911401600211	BCP260	24	LED-HP	BL	IK06	MB	F
911401600221	BCP260	24	LED-HP	BL	IK06	NB	F
911401600231	BCP260	24	LED-HP	NW	IK06	WB	F
911401600241	BCP260	24	LED-HP	NW	IK06	MB	F
911401600251	BCP260	24	LED-HP	NW	IK06	NB	F
911401600261	BCP260	24	LED-HP	WW	IK06	WB	F
911401600271	BCP260	24	LED-HP	RD	IK06	MB	F
911401600281	BCP260	24	LED-HP	RD	IK06	NB	F
911401600291	BCP260	24	LED-HP	AM	IK06	WB	F
911401600302	BCP260	24	LED-HP	AM	IK06	MB	F
911401600311	BCP260	24	LED-HP	AM	IK06	NB	F
911401600321	BCP260	24	LED-HP	RD	IK06	MB	F
911401600331	BCP260	24	LED-HP	RD	IK06	WB	F
911401600341	BCP260	24	LED-HP	RD	IK06	NB	F
911401600351	BCP260	24	LED-HP	AM	IK06	WB	F
911401600361	BCP260	24	LED-HP	AM	IK06	MB	F
911401600371	BCP260	24	LED-HP	AM	IK06	NB	F
911401600381	BCP260	24	LED-HP	GN	IK06	WB	F
911401600391	BCP260	24	LED-HP	GN	IK06	MB	F
911401600402	BCP260	24	LED-HP	GN	IK06	NB	F
911401600411	BCP260	24	LED-HP	BL	IK06	WB	F
911401600421	BCP260	24	LED-HP	BL	IK06	MB	F
911401600431	BCP260	24	LED-HP	BL	IK06	NB	F
911401600441	BCP260	24	LED-HP	NW	IK06	WB	F
911401600451	BCP260	24	LED-HP	NW	IK06	MB	F
911401600461	BCP260	24	LED-HP	NW	IK06	NB	F
911401600471	BCP260	24	LED-HP	WW	IK06	WB	F
911401600481	BCP260	24	LED-HP	WW	IK06	MB	F
911401600491	BCP260	24	LED-HP	WW	IK06	NB	F
911401600511	BCP260	24	LED-HP	WW	IK06	MB	F
911401600521	BCP260	24	LED-HP	WW	IK06	NB	F
911401600531	BCP260	24	LED-HP	RD	IK06	WB	F
911401600541	BCP260	24	LED-HP	WW	IK06	WB	F
911401626402	BCP260	24	LXM2	AM	IK06	NB	F
911401626502	BCP260	24	LXM2	AM	IK06	MB	F
911401626602	BCP260	24	LXM2	AM	IK06	WB	F
911401626702	BCP260	24	LXM2	AM	IK06	NB	F
911401626802	BCP260	24	LXM2	AM	IK06	MB	F
911401626902	BCP260	24	LXM2	AM	IK06	WB	F



© 2014 Koninklijke Philips N.V. (Royal Philips)
All rights reserved.

Specifications are subject to change without notice. Trademarks are the property of Koninklijke Philips N.V. (Royal Philips) or their respective owners.

www.philips.com/lighting

2014, February 20
data subject to change