

PHILIPS

ClassicStreet

Public lighting



Product guide

**Echoing
the past,
shaping
the future**

ClassicStreet



Always in style

Timeless elegance, that is the heart of the new ClassicStreet range. The design is reminiscent of the iconic beauty of 20th-century street lanterns, while meeting today's functional public lighting requirements.

City planners will appreciate all the benefits of LED technology: energy savings, long lifetime, low maintenance and digital connectivity options. And for a city's inhabitants, the range offers a striking addition to their cityscape, with luminaires that feel equally at home in established and new neighborhoods.

4

Introduction

6

Design

The best of both worlds



8

Applications

In the heart of the city



12

Family range

14

Complete sets



16

Lighting performance

18

Serviceability

In control
Connected lighting
Network controls
Stand alone controls

20

22

Dimensional drawings



26

Specifications

Main specifications



“

They really beautify
the street – even when
they’re switched off!”

Elegance and performance go hand in hand

Part of a city's charm lies in the interplay between its older and newer areas. Along the city streets, you can feel echoes of the past and also the promise of the future – and this is exactly what ClassicStreet reflects.

The gently curved design, together with dedicated brackets and poles, creates a contemporary look that beautifies your city. At the same time, the advanced LED engine delivers outstanding levels of lighting and energy performance. The luminaires' styling is not only suitable for historical and traditional architectural settings, but feels equally at home in more modern urban environments.

Attractive and versatile

From the drawing board to its final execution, we developed ClassicStreet to follow a well-thoughtout approach to urban illumination. It brings together elegant and subtle details, softened proportions and a contemporary mindset. All of which makes ClassicStreet the ideal luminaire for historical and traditional architectural settings, but feels equally at home in more modern urban environments.

Comfort and ambience

The urban landscape can be overwhelming, so it is important for people to feel safe and comfortable in your city. ClassicStreet offers an optional diffusing solution that combines comfort and performance. Special attention was paid in the technical design to avoid the typical chessboard and cross-effects shadows on the floor. This enhances the lighting uniformity, which contributes to a more pleasant city atmosphere and to citizens' well-being.

Excellent value

ClassicStreet is the perfect solution for both renovation areas and new installations. The advanced LED engine delivers outstanding energy performance. And the range's styling, high-quality finishing and optical performance make this range the right solution for all kinds of residential streets, parks, squares and city centers.



Excellent value for money

ClassicStreet is the perfect solution for both renovation areas and new installations.



Comfort and ambience

ClassicStreet offers an optional diffusing solution that combines comfort and performance.



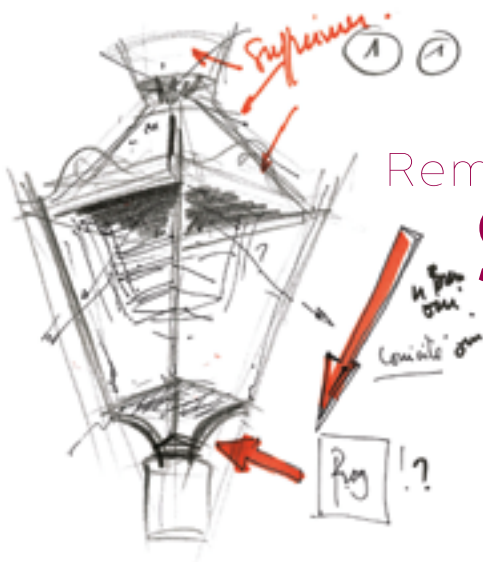
Customize

ClassicStreet comes in one design and offers various brackets and poles to enhance the charm of your city in the best way.



“

Classic design
meets future-proof
technology.”



Subtle
Reminiscent *Retro*

SOFT Contemporary Modern

Contemporary

Iconic Elegant

The best of both worlds

The idea behind ClassicStreet was to unite the best of both worlds. The classic elements in its design hark back to the familiar shapes of traditional street lanterns, while the execution is contemporary in every detail. The result is a luminaire that will stand the test of time.

The design of these complete sets is meant to reflect a classical yet still contemporary feeling. It echoes completely the iconic form of the 20th century street lanterns but the execution of its details and proportions are soft, radiused and contemporary. This approach to detailing makes the overall design more flexible in terms of integration into existing environments. At first glance, the luminaires have a silhouette that is square and flat, but a closer inspection reveals that the edges have been slightly curved and softened to give them a more 21st-century appeal.

Flexibility first

This approach to detailing makes the overall design more flexible in terms of integration into existing environments. At first glance, the luminaires have a silhouette that is square and flat, but a closer inspection reveals that the edges have been slightly curved and softened to give them a more 21st-century appeal.

Applications

In the heart of the city

ClassicStreet has a well-balanced design with retro styling and a modern look. Thanks to this timeless esthetic, it is suitable for enhancing all types of city centers or urban areas – from historical or heritage districts to more contemporary, modern city zones.

Designed around its LED engine, ClassicStreet delivers outstanding levels of lighting and energy performance. Its different types of fixation or poles and brackets offer a high degree of flexibility, not only in terms of integration with the architectural context, but also in its range of applications.

ClassicStreet is part of our Urban Inspiration lighting portfolio. It incorporates all the necessary technical and functional features of city lighting, and also has a strong focus on the emotional and social value of light. In this way, it helps you create the right ambience in your city, enhance people's well-being and make the city more livable. For every application we have a number of solutions that will inspire you and enhance your urban landscape, while also fulfilling all of your specific feature requirements.

City center

- Side street
- Square, park and playground
- Cycle path and footpath
- Shopping and pedestrian area
- Parking area

Residential area

- Residential street
- Cycle path and footpath
- Square, park and playground
- Parking area





Public lighting

.....
ClassicStreet

.....
Applications





Public lighting

.....
ClassicStreet

.....
Applications





Public lighting

.....
ClassicStreet

.....
Applications

.....



Family range

The ClassicStreet range was designed for use in urban centers and city areas where heritage, ambience, comfortable lighting and attractive design play an important role.

With its softened curves and high-quality finishing, ClassicStreet is an easy and elegant fit in any urban environment. The gently curved design, together with the dedicated brackets and poles, creates a contemporary look that beautifies your city and creates distinctive and warm ambiances – at night and during the day.



Post-top pole
Ø 60 mm



Post-top pole
Ø 76 mm



Post-top ClassicStreet
bracket with dedicated post-top
ClassicStreet luminaire



Suspended ClassicStreet bracket
with dedicated suspended
ClassicStreet luminaire



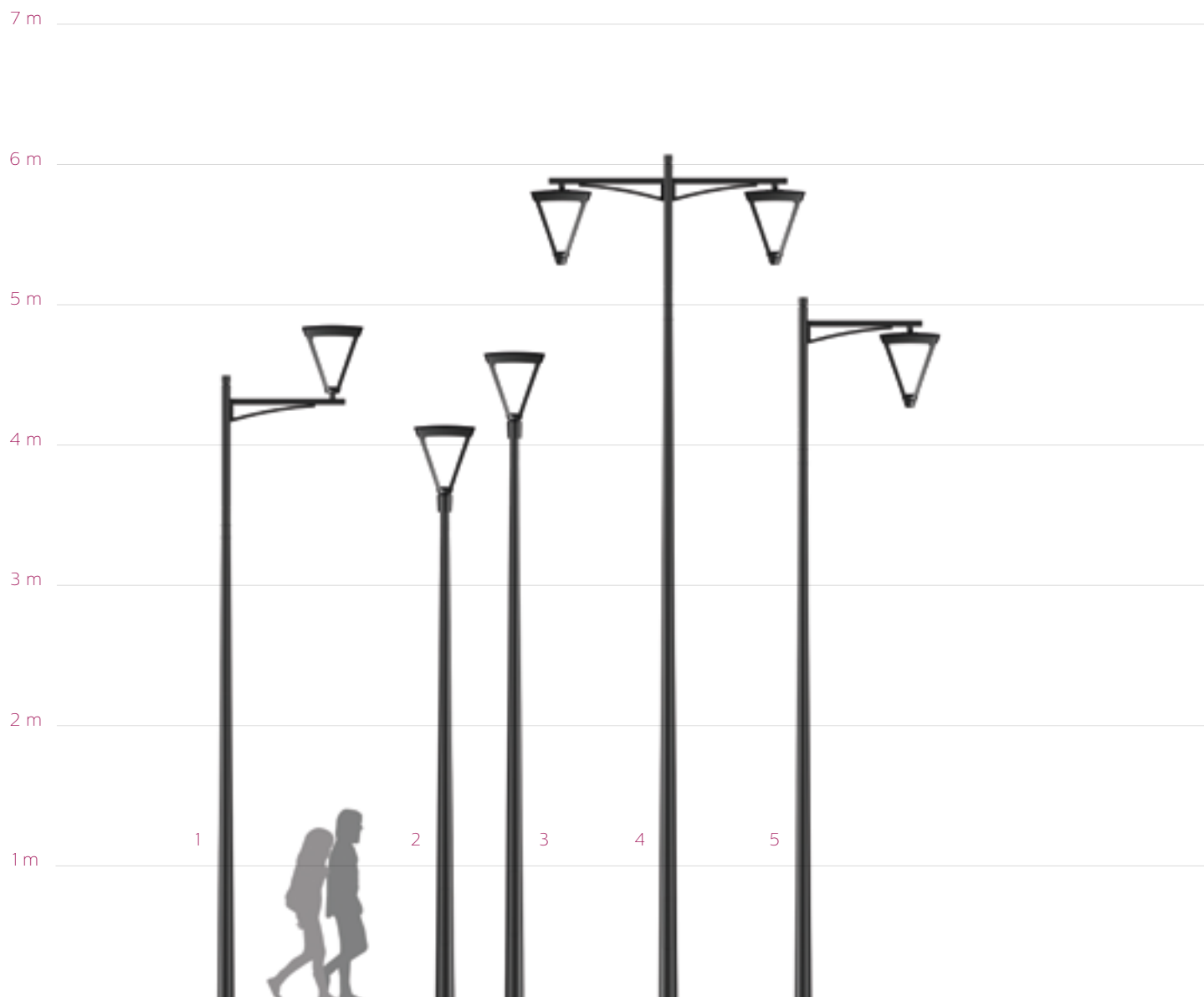
Suspended mounting using
a brass threaded spigot 1"G



Public lighting
.....
ClassicStreet
.....
Family range
.....

Complete sets

ClassicStreet comes with a choice of poles and brackets so that you can always find the perfect fit for both classical and more modern architectural contexts. These ready-to-use complete sets have a design that is reminiscent of the classical street atmosphere, combined with a contemporary and distinctive look. The brackets all have a dedicated interface that matches the range of luminaires, for optimum design integration and ease of installation.



- 1 ClassicStreet + ClassicStreet single arm bracket post-top + Accante pole 3,5 m
- 2 ClassicStreet + Ø 60 Accante pole 3,5 m
- 3 ClassicStreet + Ø 60 Accante pole 4 m
- 4 ClassicStreet + ClassicStreet double arm bracket suspended + Accante pole 5 m
- 5 ClassicStreet + ClassicStreet single arm bracket suspended + Accante pole 4 m
- 6 ClassicStreet + Faro post-top pole 3,5 m

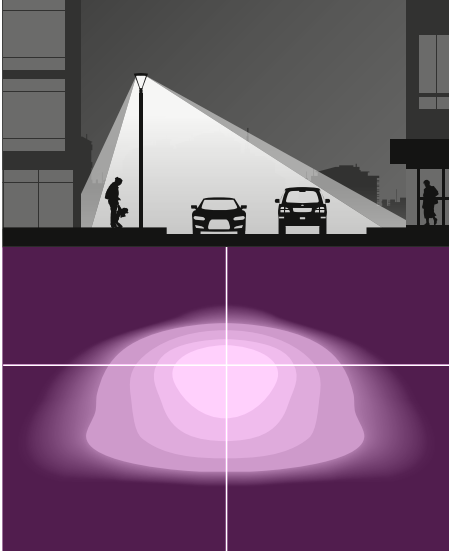


- 7** ClassicStreet + Faro post-top pole 4 m
- 8** ClassicStreet + Faro bracket + Faro applique pole 4,7 m
- 9** ClassicStreet + Faro bracket + Faro applique pole 5,5 m
- 10** ClassicStreet + Faro double brackets + Faro applique pole 4,7 m
- 11** ClassicStreet + Faro wall mounted bracket
- 12** ClassicStreet + ClassicStreet wall mounted bracket

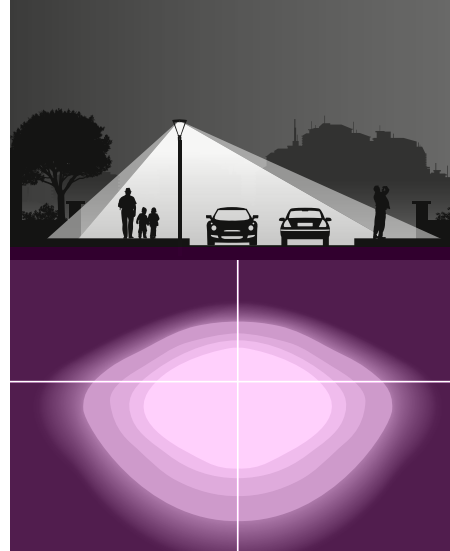


Lighting performance

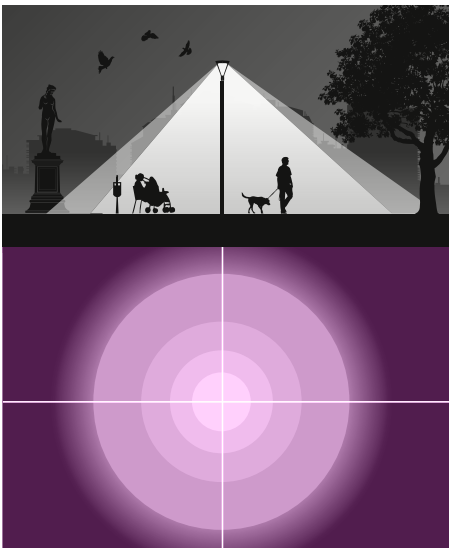
ClassicStreet offers a wide flexibility in terms of lighting distributions and luminous flux used for different applications.



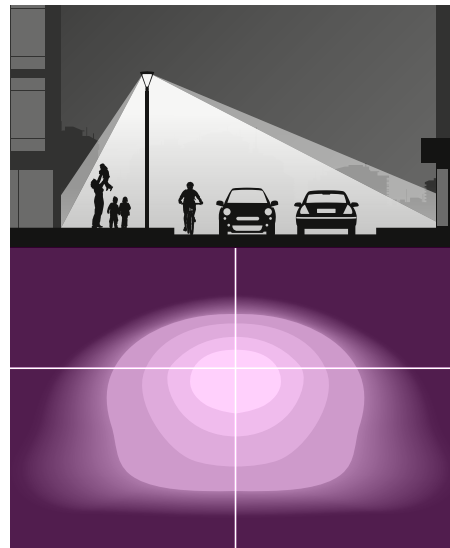
**DM Distribution
Medium**



**DRW Distribution
Residential Wide**



**DS Distribution
Symmetrical**



**DW Distribution
Wide**

Serviceability

ClassicStreet was designed to last a lifetime. To ensure easy maintenance it is very easy to access and service the most critical components, like the driver. ClassicStreet allows you to quickly reach in and replace the driver on site within a couple of minutes, using only a screwdriver. Simply follow the six easy steps below.



Step 1:

Unscrew four screws to open the cover



Step 2:

Remove the cover, which is installed with a safety cord



Step 3:

Return the cover onto the frame of the luminaire and unscrew the four screws of the mask



Step 4:

The driver is now easily accessible



Step 5:

Loosen two screws and unscrew a third screw to remove the driver. Detach the wires with click connectors.



Step 6:

Return the cover onto the frame of the luminaire and close it by screwing the four screws of the cover



Public lighting
.....
ClassicStreet
.....
Serviceability
.....



ClassicStreet in control

Lighting city streets, roads and public spaces presents many challenges, partly because the dynamics of city life are changing constantly due to fluctuations in traffic density.

This means you need the right level of lighting to respond to these changes in order to make the city feel safe, attractive and inviting. But at the same time you are under pressure to reduce energy costs and maximize your green credentials. Philips offers a complete range of intelligent lighting controls to help you overcome all these problems and make your city more livable and sustainable.



Connected lighting

CityTouch Ready luminaires

ClassicStreet can be seamlessly connected to CityTouch software via CityTouch connect app (remote management), with all the intelligence being integrated into the luminaire without the need for any additional hardware. Communication runs directly via the public mobile network. An additional advantage is that you are not required to perform any maintenance. Furthermore, the entire connectivity management is covered by the service we provide, ensuring there is no hassle for you, the customer. Once connected to the power

supply, a light point automatically appears on the CityTouch map at the right location - with all the relevant technical parameters imported into the system.

CityTouch connect app is an intelligent, interactive remote management solution for street lighting. It brings your city lighting to life and offers you flexibility, information and accuracy. The system's flexibility enables you to respond easily to expected and unexpected situations by dimming or brightening any of the areas within your city to ensure

safety and well-being. Information keeps you up to date on the current status of every single luminaire, facilitating more effective maintenance and faster repairs. And accurate energy metering gives you a precise overview of actual energy consumption.



CityTouch connect app key features



Control of each individual light point

You have the flexibility to adjust every single luminaire to changing situations or requirements at any time. You can adjust calendars to suit your individual needs simply by changing the switching points of each dimming profile via drag and drop.



Fault detection and notification

Faster and better provision of information about the current status of the lighting infrastructure enables you to address maintenance issues more quickly and to improve the maintenance service level.



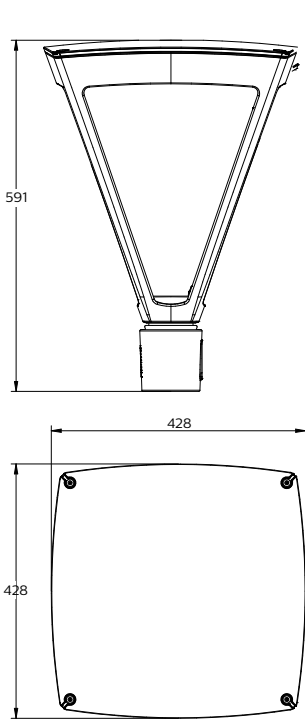
Accurate energy metering

Accurate energy metering for each individual luminaire enables you to monitor your energy bills and to identify potential new savings.

Dimensional drawings

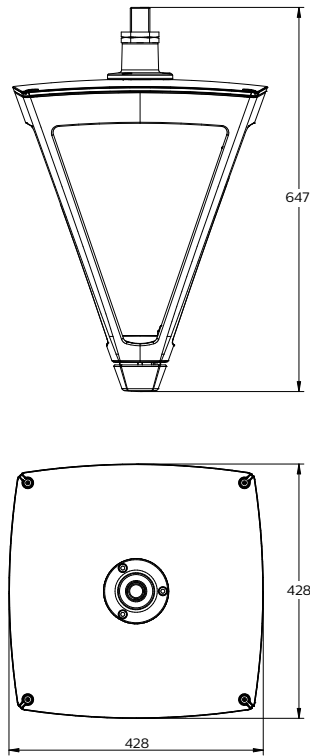
BDP794

Post-top with Spigot
 Ø 60 or 76 mm



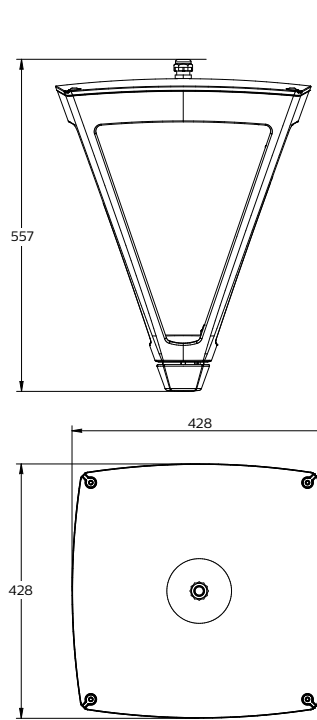
BSP794

Suspended
 1'G



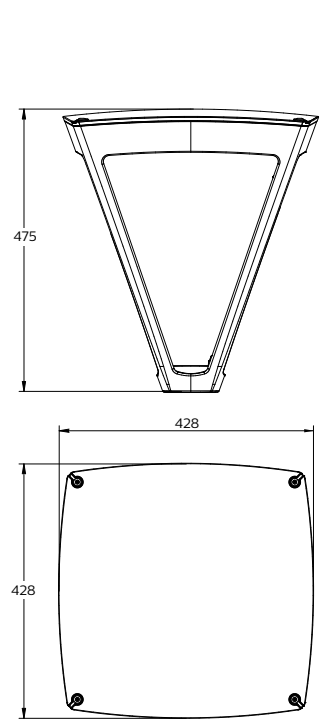
BVP794

Suspended ClassicStreet
 luminaire for suspended
 ClassicStreet bracket

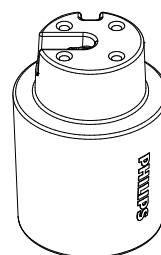
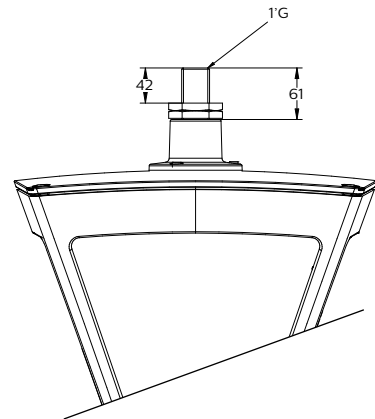
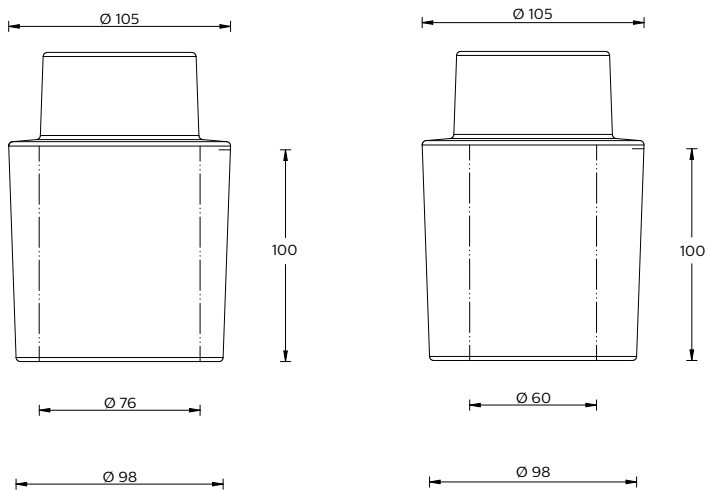


BPP794

Post-top ClassicStreet
 luminaire for post-top
 ClassicStreet bracket

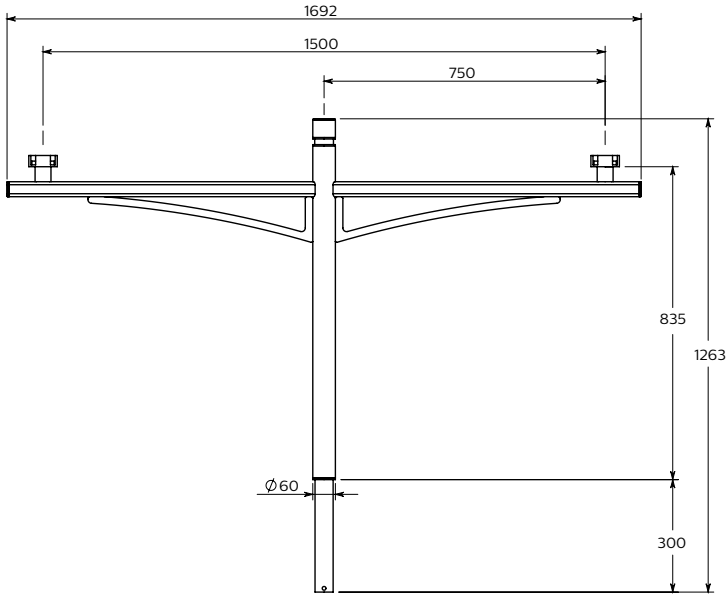


BDP794 Ø 60 or 76 mm Spigot

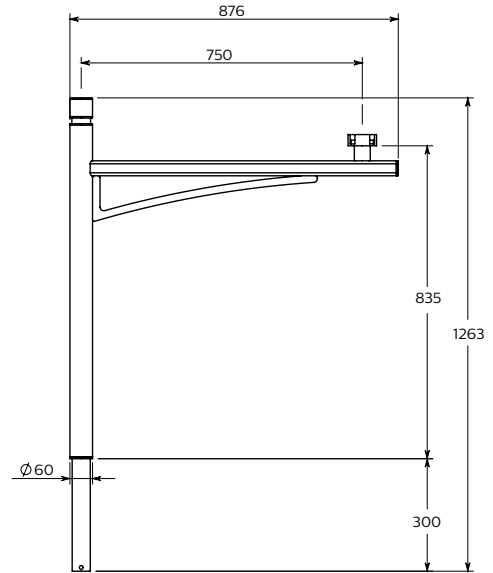


Brackets for Ø 60 poles

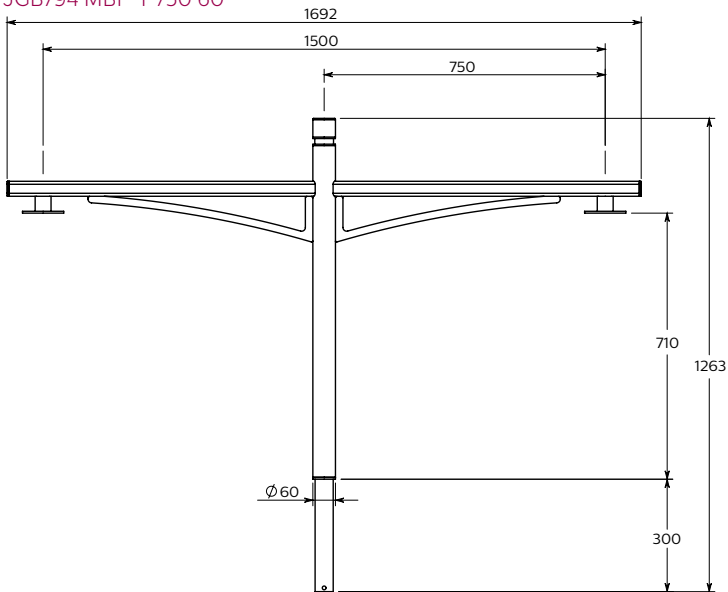
JGB795 MBP-T 750 60



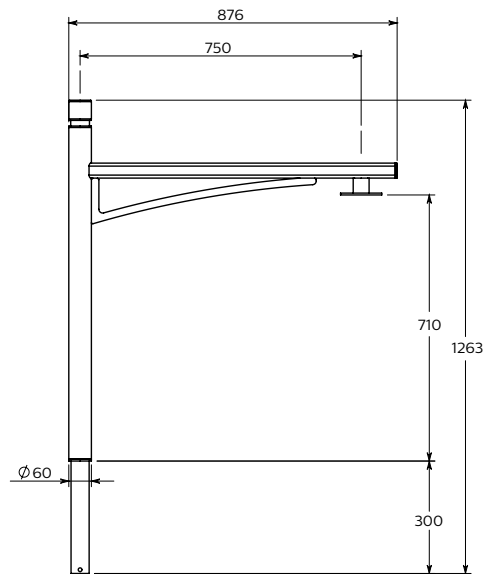
JGB795 MBP-S 750 60



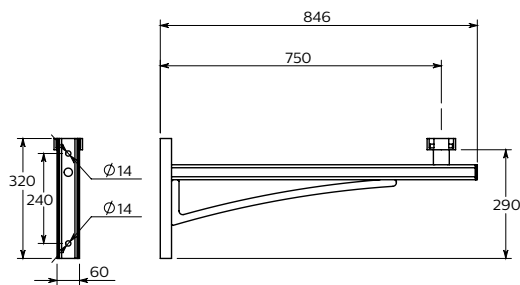
JGB794 MBP-T 750 60



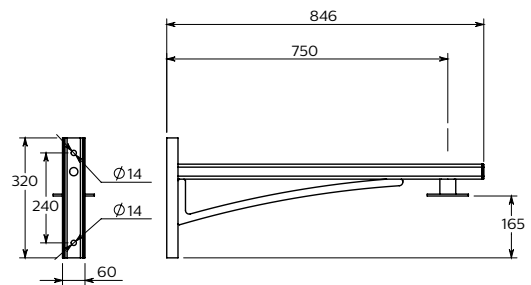
JGB794 MBP-S 750 60



JGB795 MBW 750



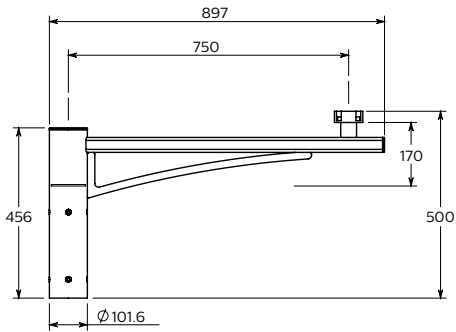
JGB794 MBW 750



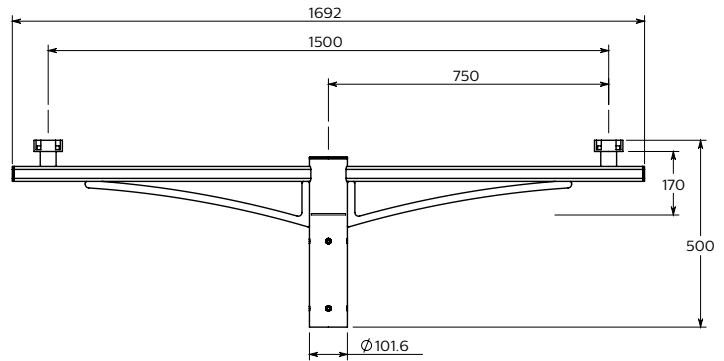
Dimensional drawings

Brackets for $\varnothing 76$ poles

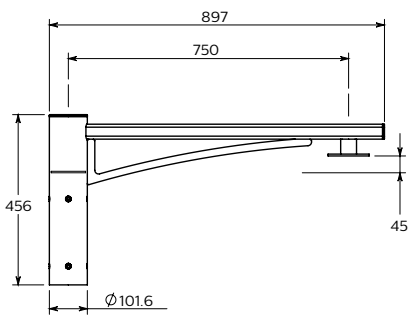
JGB795 MBP-S 750 76



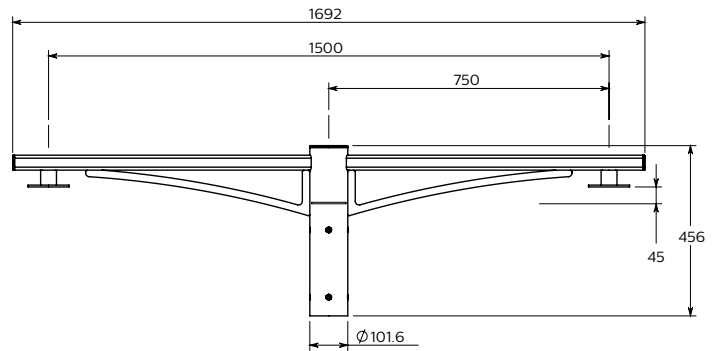
JGB795 MBP-S 750 76



JGB794 MBP-S 750 76

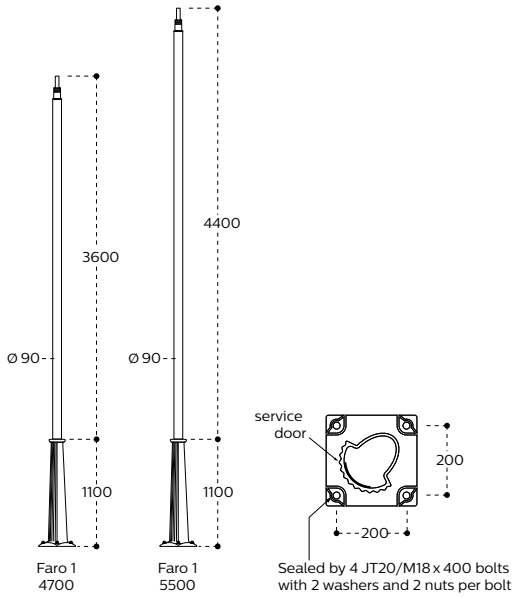


JGB794 MBP-T 750 76



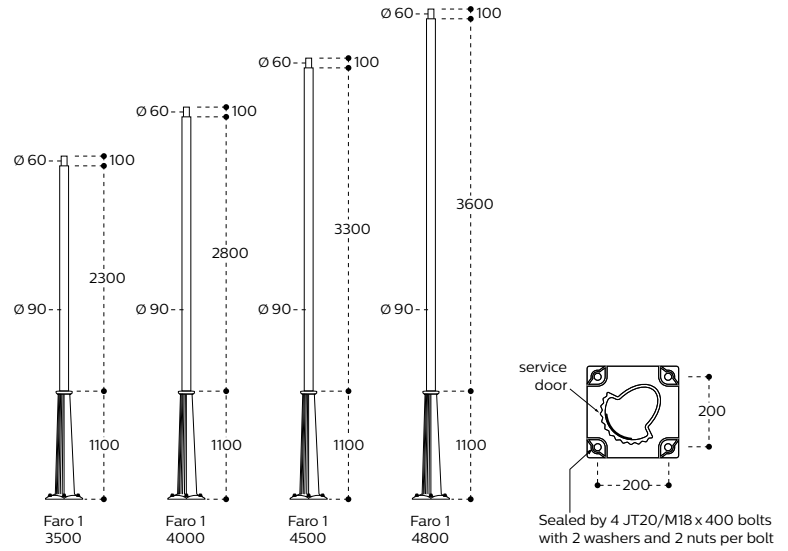
Faro applique pole

YHM700



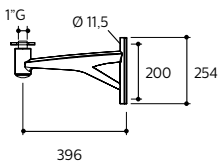
Faro post-top pole

YHM702

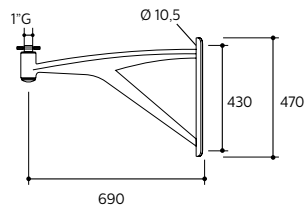


Faro brackets

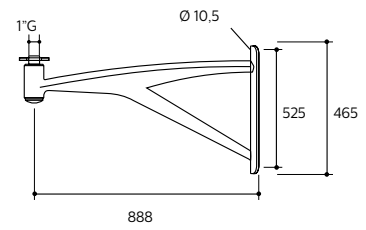
40 bracket - JGP700 MBP 400



70 bracket - JGP700 MBP 700



90 bracket - JGP700 MBP 900



Main specifications

Product features	ClassicStreet
Type	BDP794 (post-top version) BSP794 (suspended version) BPP794 (post-top version for dedicated bracket) BVP794 (suspended version for dedicated bracket)
Lightsource	Integrated LED module
Correlated color temperature	3000 K (warm white) - 4000 K (neutral white)
Color Rendering Index	80 (warm white), 70 (neutral white)
Luminous flux (system)	1,041-7,046 (warm white), 1,065-7,032 (neutral white) depending on LED configuration
Power (system)	12 W-82 W (warm white), 12 W-73 W (neutral white) depending on LED configuration
Luminaire efficacy (system)	Up to 98 lm/W
Lumen maintenance	Up to 100,000 hours
CLO	CLO is available
Warranty	Silver 5 years
Optic	Distribution Medium (DM), Wide (DW), Residential Wide (DRW), Symmetrical (DS)
Optical cover	Tempered flat glass clear (FG), diffusing flat glass (GF) (optional)
Installation	Post-top: 60 and 76 mm, suspended 1'G
Control systems Input	DALI CityTouch Ready
Driver	Driver Philips Xitanium DEC
Inrush Current Driver	40 W: 22 A/340 µs; 75 W: 46 A/250 µs; 150 W: 53 A/300 µs
Intelligence Control	LumiStep (LS), DynaDimmer (DDF), LineSwitch (D11), StarSense RF Wireless and CityTouch Ready, Photocell, MiniCell 35, 55, 75 lux),
Mains voltage	220-240 V / 50-60 Hz
Electrical class	Class I and Class II
Material	Housing: gravity aluminum, non corrosive Flat glass: tempered Gasket: silicon rubber heat resistant Optics: plastic (PMMA)
Color	Black N9 (MN332L) or Philips ultra-dark grey Other RAL and AKZO Futura colors available on request
IP rating	IP66
IK rating	IK09 clear flat glass, IK08 diffused flat glass
Weight	12.3 kgs post-top and suspended
Dimensions	Post-top: 428 x 428 x 591 mm, suspended: 428 x 428 x 647 mm
SCx	0.15 m ²
Electrical Connection	M20 cable gland with strain relief, for cable Ø 6-12 mm
Operating temperature range	-20°C < Ta < 35°C
Surge protection	6 kV (standard) - 10 kV (optional)
Maintenance	Maintenance access to the driver compartment, 8 screws
Certification	CE-ENEC

LED configurations

ClassicStreet: 36 LED
GRN15-GRN25



ClassicStreet: 72 LED
GRN30-GRN40



ClassicStreet: 108 LED
GRN50



ClassicStreet: 144 LED
GRN60-GRN100



General specs complete sets and dimensions

Brackets specifications	ClassicStreet bracket	Faro bracket
Material	Steel	Aluminum
Mounting to luminaire	Dedicated interface post-top or suspended	1" (34 PdG) post-top or suspended
Mounting to support	Single or double arm bracket tenon for pole top Ø 60 mm or cap for pole top Ø 76 mm	
Mounting to support	Pole mounting bracket with 2 points and fixing center 240 mm	Pole mounting bracket with 2 points and fixing center depending on bracket length (255 mm / 430 mm / 565 mm)
Tilt angle	0°	0°
Color	Satin silver grey (close to RAL9006) Philips ultra-dark grey (close to RAL7043) Other RAL or AKZO colors available on request	Satin silver grey (close to RAL9006) Philips ultra-dark grey (close to RAL7043) Other RAL or AKZO colors available on request
Certification	CE certification in accordance with standard EN40	CE certification in accordance with standard EN40

Pole specifications

Pole specifications	Faro post-top pole	Faro applique pole
Material	Aluminum	Aluminum
Pole height	3.5 m, 4 m, 4.5 m and 4.8 m	4.7 m and 5.5 m
Installation type	Flange plate	Flange plate
Color	Satin silver grey (close to RAL9006) Philips ultra-dark grey (close to RAL7022) Other RAL or AKZO colors available on request	Satin silver grey (close to RAL9006) Philips ultra-dark grey (close to RAL7022) Other RAL or AKZO colors available on request
Certification	CE certification in accordance with standard EN40	CE certification in accordance with standard EN40

Luminaire version	Product Family Code	Lumen Package	Source flux (lm)	Power	
				WW	NW
ClassicStreet	BDP794/BPP794/BSP794/BVP794	GRN15	1,566		12.2
	BDP794/BPP794/BSP794/BVP795	GRN20	2,074		15.6
	BDP794/BPP794/BSP794/BVP796	GRN25	2,547		20.0
	BDP794/BPP794/BSP794/BVP797	GRN30	3,079		25.4
	BDP794/BPP794/BSP794/BVP798	GRN40	4,058		29.4
	BDP794/BPP794/BSP794/BVP799	GRN50	5,071		37.7
	BDP794/BPP794/BSP794/BVP800	GRN60	6,125		46.8
	BDP794/BPP794/BSP794/BVP801	GRN70	7,119		53.3
	BDP794/BPP794/BSP794/BVP802	GRN80	8,128		61.6
	BDP794/BPP794/BSP794/BVP803	GRN90	9,164		66.2
	BDP794/BPP794/BSP794/BVP804	GRN100	10,118		73.3
	BDP794/BPP794/BSP794/BVP804	GRN15	1,532	12.9	
	BDP794/BPP794/BSP794/BVP804	GRN20	2,069	16.9	
	BDP794/BPP794/BSP794/BVP804	GRN25	2,561	22.0	
	BDP794/BPP794/BSP794/BVP804	GRN30	3,037	27.4	
	BDP794/BPP794/BSP794/BVP804	GRN40	4,120	32.7	
	BDP794/BPP794/BSP794/BVP804	GRN50	5,097	41.5	
	BDP794/BPP794/BSP794/BVP804	GRN60	6,149	51.8	
	BDP794/BPP794/BSP794/BVP804	GRN70	7,100	58.1	
	BDP794/BPP794/BSP794/BVP804	GRN80	8,094	67.2	
BDP794/BPP794/BSP794/BVP804	GRN90	9,037	71.2		
BDP794/BPP794/BSP794/BVP804	GRN100	10,138	82.7		





