

The Philips logo is displayed in a white rounded rectangle with a blue gradient at the bottom. The word "PHILIPS" is written in a bold, blue, sans-serif font.

Public lighting

The background of the advertisement features a romantic scene of a couple in silhouette, embracing and kissing on a rooftop or balcony. The sun is low on the horizon, creating a warm, golden glow. In the foreground, several modern, tall streetlights with curved poles and circular light fixtures are visible, set against a clear blue sky. The overall mood is serene and inspiring, suggesting that the lighting solutions enhance the quality of urban life.

Inspiration for urban complete sets

Complete lighting point solutions
to enhance your city

Inspiration for
**urban
complete
sets**

A vibrant future

We believe strongly in the development of creating livable cities by realizing warm and inviting places with a clear own identity where people enjoy living in and want to visit.

Lighting plays a central role in how people feel about their city or village. That's why the lighting in cities and villages has evolved from purely functional lighting into a more demanding and creative discipline. Urban development and regeneration programs of outdated and impoverished areas has helped to support this demand for urbanization. Lighting should not only provide safety and orientation for people that drive, cycle or walk, but must be pleasing and inviting as well. It should promote communication and well-being, encouraging night-time socializing and complementing the city's night life. Luminaires, poles and brackets for urban area, street and road lighting also have an architectural role. During the day they become an integral part of the street and during the night they create ambience and inspiring environments.

Feel proud of your city

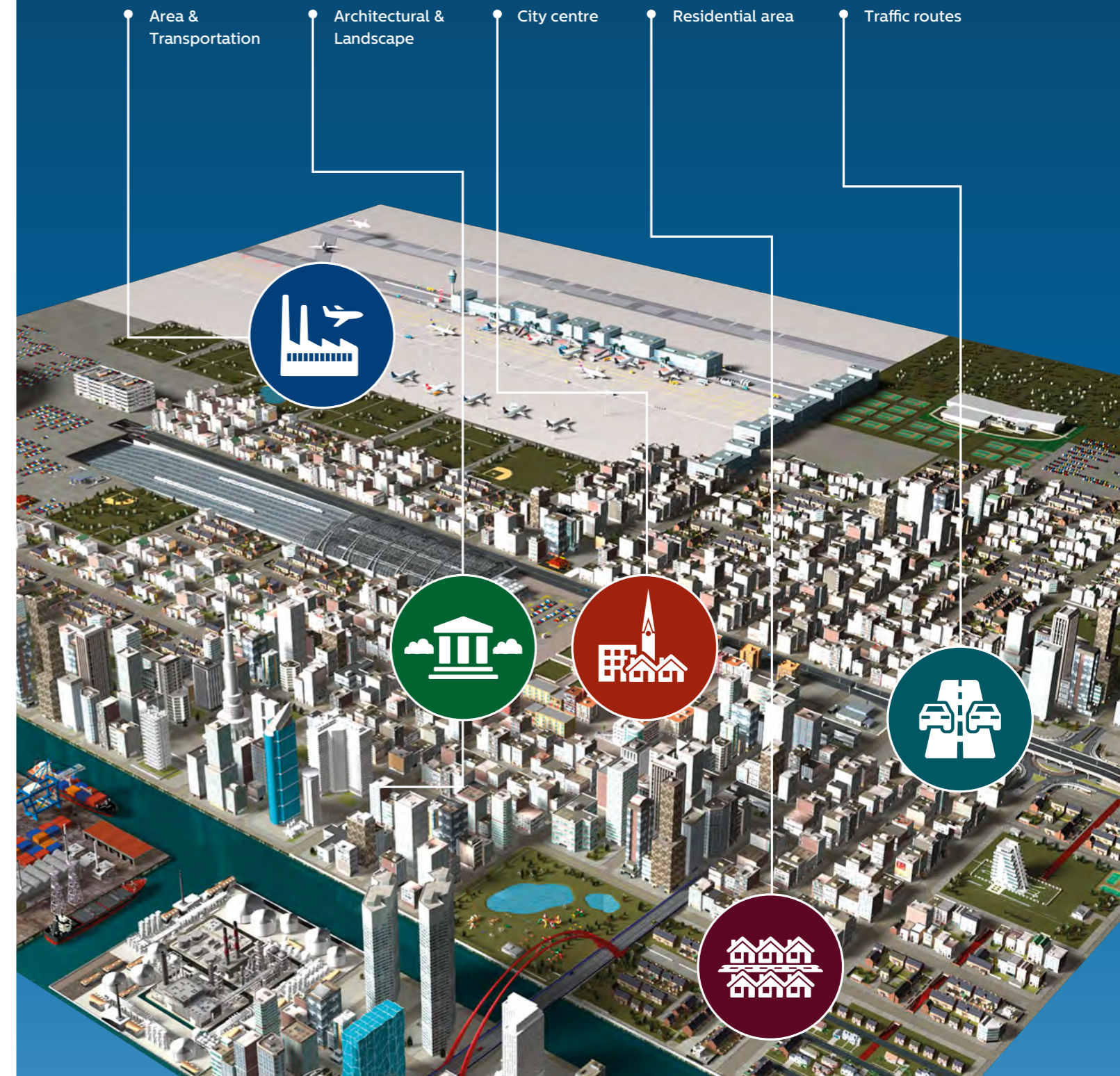
There is a clear wish of citizens and local politicians to return the city to citizens and bring back the quality of city life. With that respect, lighting products are not only

perceived as functional lighting points, but also as urban furniture part of the city landscape. Lighting points must participate to the beauty of the city: enhancing the architecture and creating the ambience. The aesthetics of the luminaires become as important as the technical performances. Luminaires, poles and brackets must form a coherent system with consistent design and perfect integration.

Feel free to design

Because every city has a specific heritage and culture landscape architects, urban planners, local authorities, lighting designers and city contractors need to choose the most suitable complete lighting set. As a lighting partner we created this catalogue with the objective to offer ideas and inspiration that will help in making the right choices for an urban project, by presenting a selection of our dedicated complete lighting sets solutions.

Applications





Index

Urban Inspiration

UrbanStyling



CitySoul gen2 LED
22

Ocean LED
50

Urban Functional

Urban area & street lighting



Stela+ gen2
180

TownGuide Performer
190

Ambience lighting



CitySphere
64

CityCharm
68

Metronomis LED
72

ParkView LED
80

UrbanStar
84

Thema T2 LED
88

Urban road lighting



Luma
196

Iridium gen3 LED
204



CristalCity
92

ClassicStreet
96

Micenas gen2 LED
100

Jargeau 400 gen2 LED
104

UrbanScene
108

Technical information

Luminaires 213

Brackets 246

Dedicated brackets 248
Standard brackets 260

Poles 276

Dedicated poles 278
Standard poles 306

Urban street & road lighting



MileWide³ LED
116

Harmony LED
126

CitySwan LED
140

Copenhagen LED
148

Harmony Classique LED
158

UrbanSky
164



FreeStreet
168



Services and tools

Our customers often have a professional view on the integration of lighting in the design for the project. At Philips we offer tools and services to explore various possibilities fitting the identity and context of the project. So that you can decide what works best for your project, both during day and night.

Services

1. Advice & technical feasibility for complete lighting point solutions

Looking for possibilities in complete sets? We can present and advice complete set options fitting your needs. All complete sets of Philips comply to the EN40 norms. Service provided is the mechanical strength calculation.

2. Tailor-made solutions

Apart from the complete sets we show in this catalogue we also have expertise in creating tailor-made complete lighting set solutions if your project demands a special shape or appearance. We can realize your imagination with our know-how! Drawing on expertise, our project team will work closely with you to help you find the solutions that are best suited to the characteristics and constraints of the urban spaces you want to light. From creation, product design, up to development and manufacturing, we will support you at every stage, with only one objective - help make your project succeed in line with good design and workmanship principles.

3. Customer project presentation

Next to standard light technical advice we can support you with complete customer project presentations either by our own dedicated teams or by a preferred landscape architect or urban planner. A complete customer project presentation consists of different modules that can be selected by you. Modules are light technical advice, more detailed information about suitable complete lighting set solutions, quotation, TCO calculation, 2D complete set configuration, 2D or 3D simulations of the lighting project. This can help you to get a real look and feel about the final result of the lighting project and will help to make a well-thought and balanced decision.

Tools

1. RenderTool

In an urban environment, complete integrated sets of luminaire, bracket and pole are not only considered as just a functional lighting point, but perceived as part of the urban furniture that contribute to shape the urban landscape. Therefore, their impact on the day-time appearance is a crucial decision factor. But on paper it is difficult to imagine how the complete sets will look like in your project when installed.

To give more sense to the decision making process and to help our customers, we have developed the RenderTool. The tool is a free and easy-to-use software that helps you making visualizations of our complete set solutions in your project. RenderTool is simple to use: take a picture of your project with your mobile or camera, upload the picture in the RenderTool, erase the existing lighting installation in the picture, select your favourite solution in our database. Put the solution in your picture and save it. It is now very easy to simulate the day-time appearance of your project when you plan to install new lighting installations or replace them.



All complete set configurations data in the RenderTool are thoroughly tested and meet all technical and mechanical requirements that you need.

2. LightSet Creator

With our LightSet Creator tool you can make your own 2D complete lighting point composition by selecting the shape of your pole, select the luminaire and add the compatible bracket and pole to it. After the configuration you can customize the configuration further by choosing colours and playing with different installation heights or different backgrounds. The final result will give you a good impression of the complete lighting set for your project.



All complete set configurations data in the LightSet Creator are thoroughly tested and meet all technical and mechanical requirements that you need.



Urban Inspiration



Cities want to create an identity, branding themselves as unique, beautiful, inspiring and secure places.

Our Urban Inspiration complete lighting set solutions can transform the night scene, enhance urban architecture and create an inviting pleasant, vibrant and dynamic ambience for citizens as well as for visitors.

Innovative architectural LED lighting solutions

Philips offers professional architectural LED lighting systems in a multitude of types, form factors, and output levels. Colour-changing, tunable white, solid white, and solid colour LED floodlights deliver high-quality, digitally controllable light in the full range of architectural and landscape applications. Our control systems integrate seamlessly with our LED floodlighting portfolio in any installation, no matter how simple or complex.

For more information about our Philips Color Kinetics range, please visit www.colorkinetics.com



Graze Powercore

For colour washing exterior facades



Blast Powercore

Vibrant architectural spotlight



Reach Compact Powercore

Intelligent floodlight for façade and structure illumination



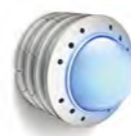
iColor Flex MX & LMX gen2

Flexible strands for dynamic effects



iColor Accent MX Powercore

Direct view with precise resolution control



ArchiPoint iColor Powercore

LED point with intelligent colour light



Professional architectural LED floodlights



Floodlighting

Floodlights are key products to enhance architecture. Applied close to the object with a narrow beam, they will enhance architectural elements and create a strong contrast with the background. Wider beams used at a distance will softly reveal volumes. Some floodlights have specific asymmetrical light distribution dedicated to wall-washing effects. The large range of light distributions offers almost infinite possibilities of light effects.



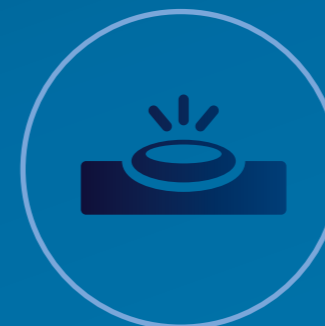
Linear lighting

Grazing light is the “low angle of incidence” type of lighting applications. The light sources are usually positioned close to the surface either to reveal the texture and morphology of the architecture or to obtain an homogeneous wash of light. The close offset of the source makes it suitable for revealing details and creating rhythm and contrast.



Direct view lighting

In direct view lighting, the focus is not on the lit surface but on the floodlight itself. Dots, lines or surfaces of light will create a new perception of architecture at night and enable graphical effects. These floodlights can be used to provide ambience. But with a high resolution they can also turn the illuminated building into a real communication media.



Markers inground & underwater

Inground markers provide visual guidance, a key element at night to provide orientation to people. The underwater floodlights create magical effects in fountains. The floodlights with narrow beams highlight water jets. Wider beams enable to reveal larger areas, like pools and water basins.

Belfast City Hall, Ireland



Dragon Bridge, Da Nang, Vietnam



Toffee Factory, Newcastle, UK



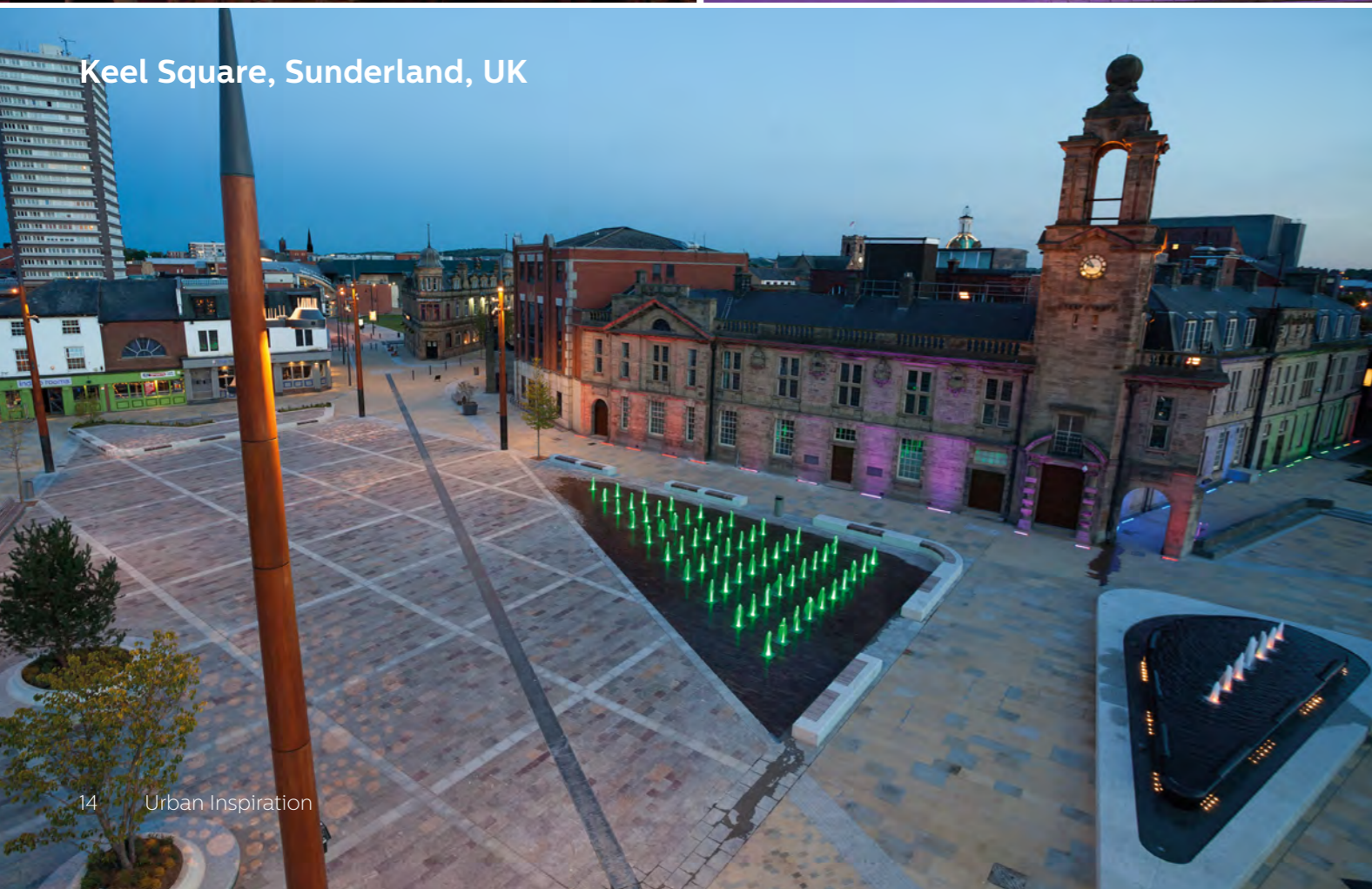
Leeds Arena, UK



Littlehaven, South Tyneside, UK

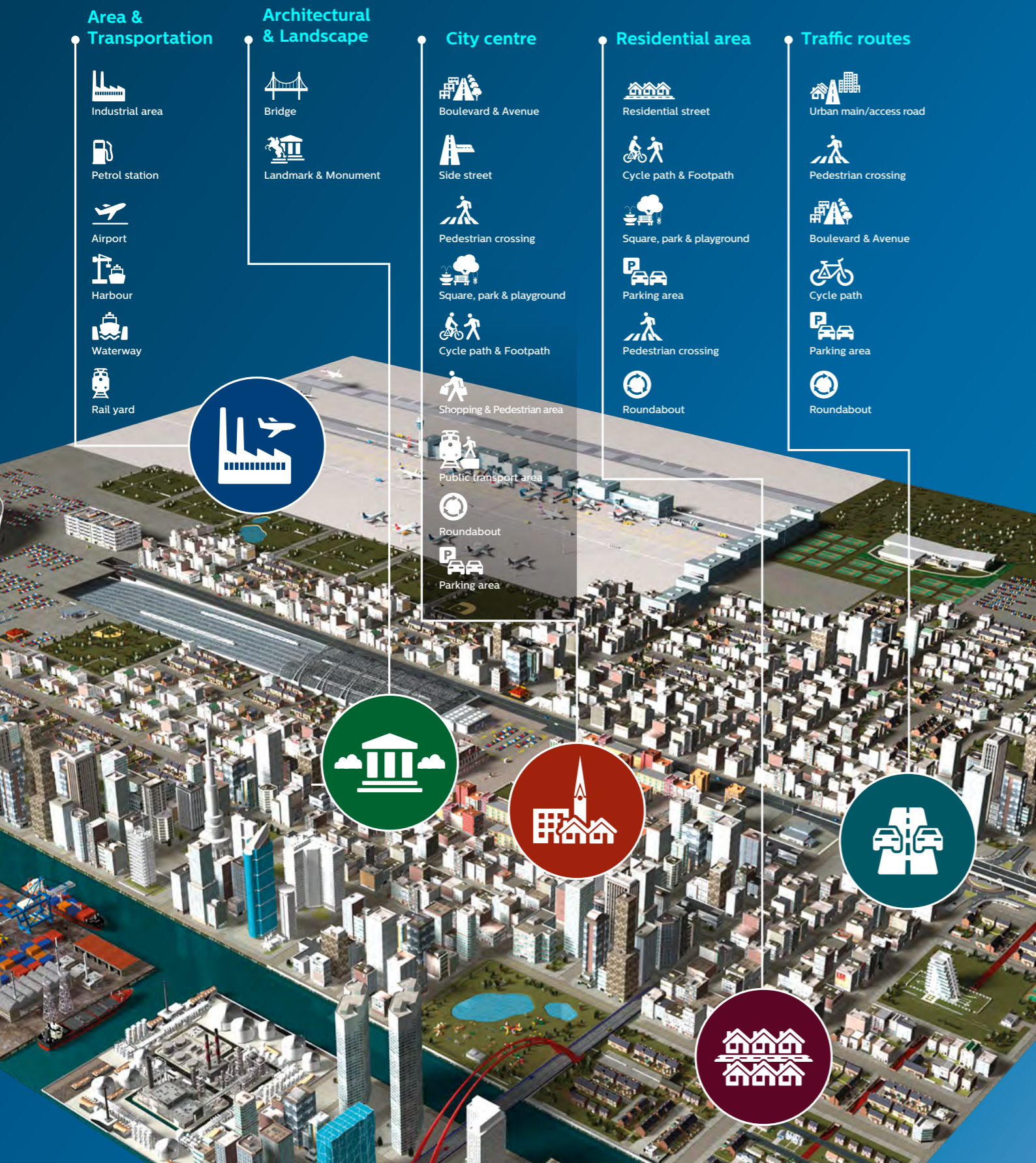


Keel Square, Sunderland, UK





Our Urban Inspiration lighting solutions are incorporating all necessary functional primarily aspects of lighting, but with strong focus on the emotional values of lighting to create the right ambience, enhance areas, well-being, promote tourism and culture and increase the liveability and city branding. For every application in the city we do have several solutions to really inspire and enhance your city, while meeting your demands and beyond.



Urban Inspiration

UrbanStyling 20

The face of a city changes with planning projects, replacements or recovering programs and new uses of public spaces. Different social practices are emerging and every city or village is looking to be more attractive, welcoming, convenient and safe. That is why we have created the UrbanStyling concept to enhance the city and village image and give them a consistent identity to better serve their citizens. These complementary and modular solutions act as practical "tool box" for urban planners, specifiers and decision makers within municipalities. UrbanStyling is designed for a diversity of uses, focused on contemporary creations, materials and structure, light scenarios, innovation and environmental protection. Quality of life in the city, well-being, conviviality, atmosphere... UrbanStyling is a complete revolution in the lighting and planning of communities, that allows you to shape coherency between several places in the urban landscape.

Ambience lighting 62

In the heart of each city are the people that live there or visit it. Getting together, socializing outside, building a community within an inspiring and safe environment are the cornerstones of city centre life. Our ambience complete lighting set solutions, with strong focus on enhancing and well-being functions up to 6 meters, including modern and classical ranges, show people what light can do for squares, parks, playgrounds, shopping and pedestrian areas as well as for residential areas to make them feel proud of their city.

Urban street & road lighting 114

Addressing the environmental, economic, aesthetic and safety concerns of communities is a challenge that we enter every day. That is why we develop a wide range of efficient, comfortable and cost-effective luminaires that perfectly suit in a cityscape and meet all street and road lighting needs in the urban community. We market our lighting solutions differently by offering modular concepts, flexible configurations and the freedom to personalize a lighting solution. Our urban street and road complete lighting set solutions, with strong focus on enhancing and well-being functions in combination with traffic functions from 6 meters up to 12 meters, including modern and classical ranges, show people what light can do for urban main roads, boulevards and avenues, side streets, cycle and footpaths, pedestrian crossings, residential streets, roundabouts and parking areas to make them feel proud of their city.

Urban Inspiration

complete lighting set solutions

Architectural enhancement can only be fully realized when both the luminaires, brackets and poles are designed in one integrated concept. In the chapter of Urban Inspiration you will find a variety of our complete lighting set solutions that bring you inspiration, ideas and creativity to realise your own unique project. Here you can already find an impression of our solutions.



UrbanStyling

Ambience lighting

Urban street & road lighting



UrbanStyling

The face of a city changes with planning projects, replacements or recovering programs and new uses of public spaces. Different social practices are emerging and every city or village is looking to be more attractive, welcoming, convenient and safe. That is why we have created the UrbanStyling concept to enhance the city and village image and give them a consistent identity to better serve their citizens. These complementary and modular solutions act as practical “tool box” for urban development planners, specifiers and decision makers within municipalities. UrbanStyling is designed for a diversity of uses, focused on contemporary creations, materials and structure, light scenarios, innovation and environmental protection. Quality of life in the city, well-being, conviviality, atmosphere... UrbanStyling is a complete revolution in the lighting and planning of communities, that allows you to shape coherency between several places in the urban landscape

UrbanStyling

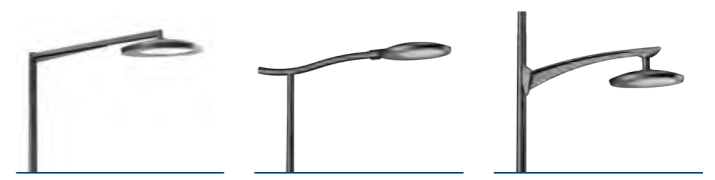
CitySoul gen2 LED 22



CitySoul gen2 LED Mini + Lyre 26 CitySoul gen2 LED + Post-top 28 CitySoul gen2 LED + Accent 30



CitySoul gen2 LED + Curved 32 CitySoul gen2 LED + Graphic 34 CitySoul gen2 LED + East 36



CitySoul gen2 LED + Right Curve 38 CitySoul gen2 LED + UrbanWave 40 CitySoul gen2 LED + Azur 42



CitySoul gen2 LED + Nuance 44 CitySoul gen2 LED + Heritage 46 CitySoul gen2 LED + Catenary 48

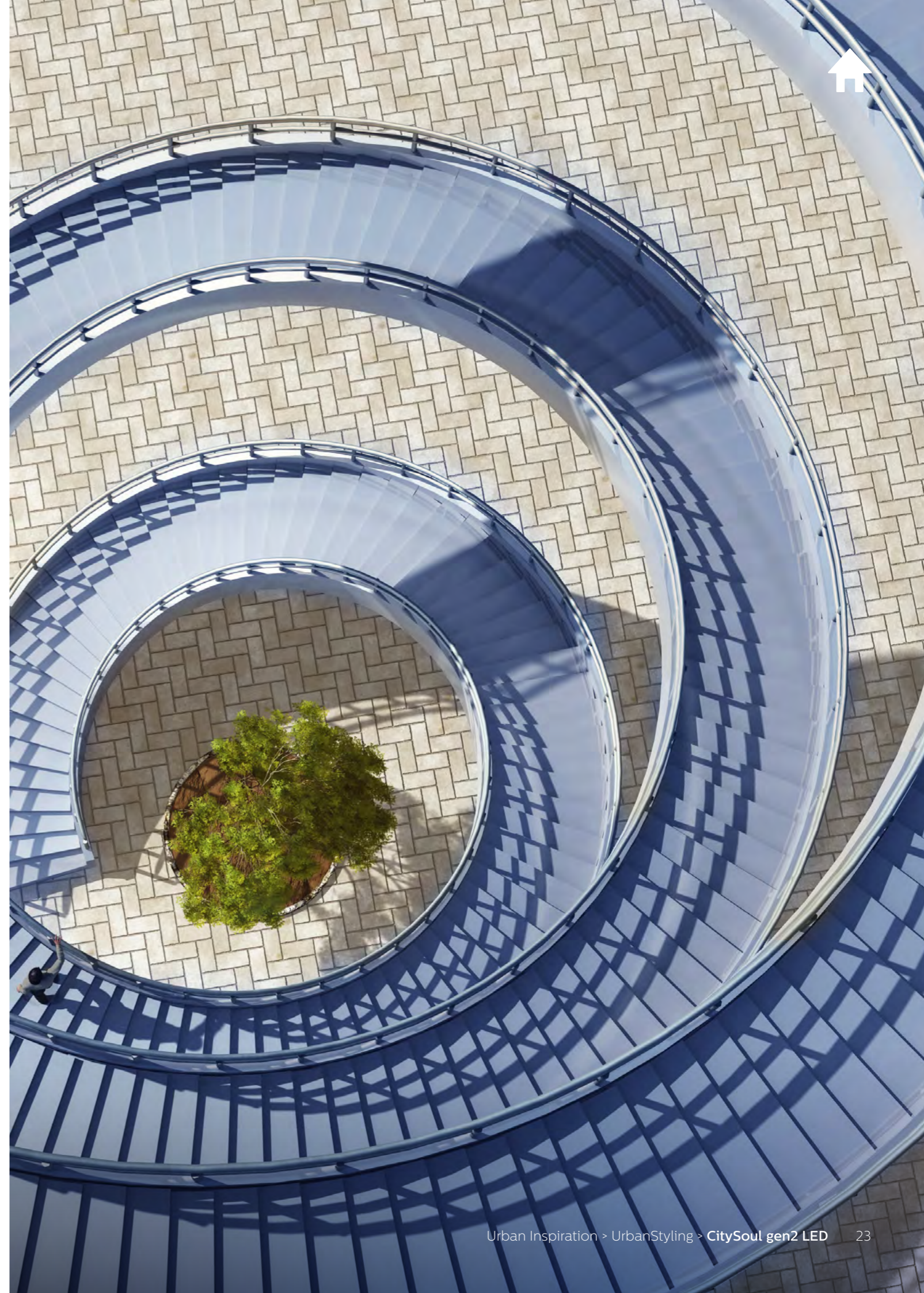
Ocean LED 50



Ocean LED 50 Ocean Ambiance LED 58 Ocean bollard LED 60

CitySoul gen2 LED

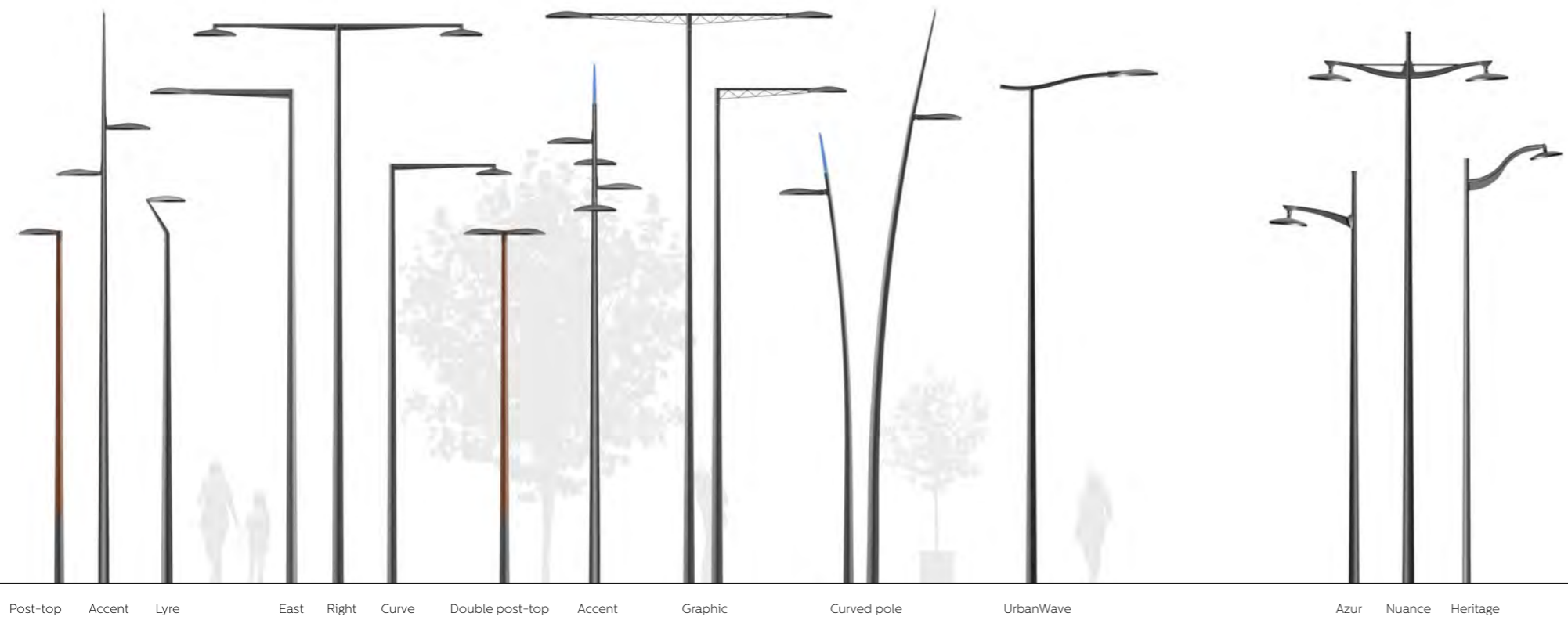
CitySoul gen2 LED is one of the most versatile and inspirational urban street lighting families designed by Philips to date. This highly efficient range delivers excellent lighting levels whilst also providing the right ambiance for all urban application areas, from the outskirts of the city right through to the city centre. By evolving the modularity of the CitySoul family and adding new innovations like the Lyre and the Accent bracket, Philips has made this range the ideal toolbox for every urban context. The design is flatter, completely round, and the transitions with the spigot and bracket entirely flush, thereby giving your cityscape a coherent, elegant and discreet identity. Designed around its LED engine, CitySoul gen2 LED is highly efficient and easy to maintain. It comes in two sizes and is suitable for side-entry, post-top, catenary and suspended mounting.



CitySoul gen2 LED

complete lighting point solutions

CitySoul gen2 LED comes with a wide choice of spigots, poles and brackets to fit different installation heights and application contexts. From catenary to Post-top, from suspended to side-entry, CitySoul gen2 LED can provide it all. The range is equally suited for new installations and renovations, at any architectural scale.



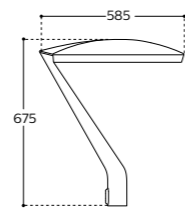
Post-top Accent Lyre East Right Curve Double post-top Accent Graphic Curved pole UrbanWave Azur Nuance Heritage

CitySoul gen2 LED + Lyre



Any location where ambience lighting is needed to create a pleasant, comfortable atmosphere is the ideal setting for the Lyre bracket, the Lyre dedicated pole and the CitySoul gen2 LED luminaire.

- Installation height 3.5 to 6 m
- Easy urban integration
- Comfort and ambience lighting
- Best-in-class performance



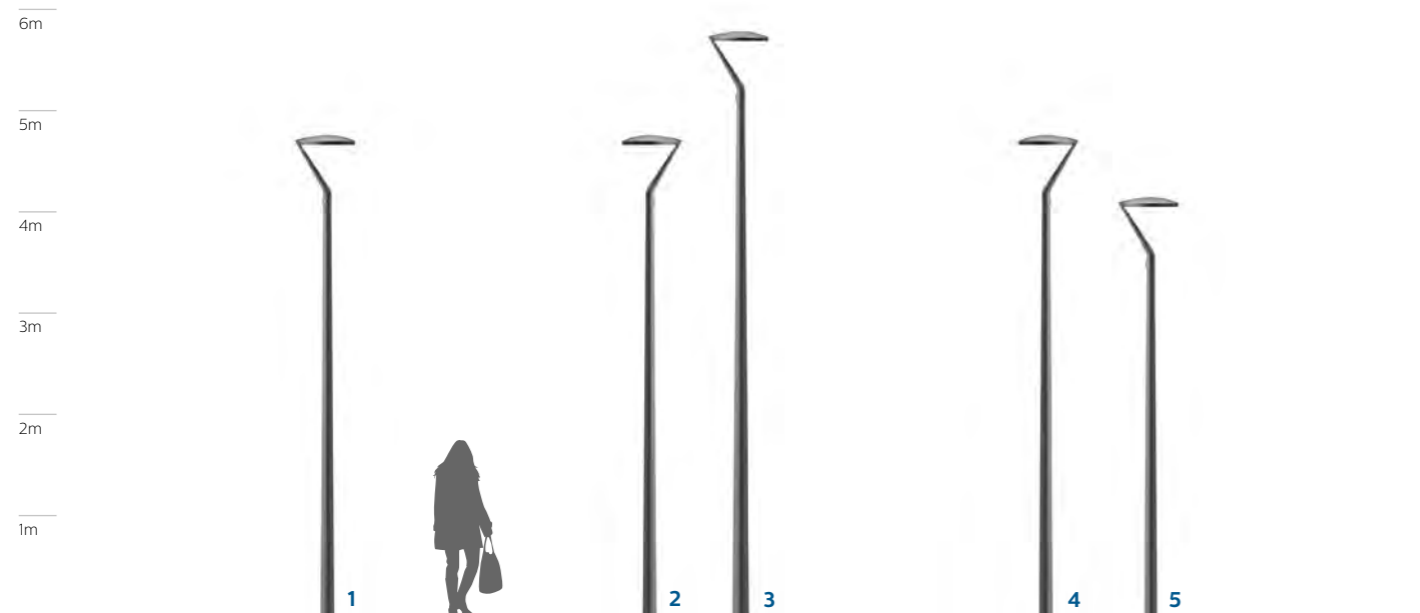
CitySoul gen2 LED

Measurements in mm



Complete sets

1-2-3-4-5. CitySoul gen2 LED Mini + Lyre bracket + Lyre pole

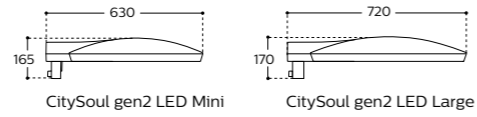


CitySoul gen2 LED + Post-top



This compact and straightforward design is the perfect solution for urban contexts in which performance lighting is the primary requisite

- Dedicated cast aluminium bracket
- Installation height up to 6 m (CitySoul gen2 LED Mini), up to 12 m (CitySoul gen2 LED Large)
- Easy urban integration
- Comfort and ambience lighting
- Best-in-class performance
- Compatible with Aloa/Accante conical pole in steel (top Ø 60, 62 or 76 mm)



Measurements in mm

Complete sets

1. CitySoul gen2 LED Large + Post-top bracket + Aloa/Accante pole + CitySoul gen2 LED Mini + MBA spigot **2.** CitySoul gen2 LED Mini + Post-top bracket + Stepped pole **3.** CitySoul gen2 LED Mini + Post-top bracket + Aloa/Accante pole **4.** CitySoul gen2 LED Large + Post-top bracket + Aloa/Accante pole **5-6.** CitySoul gen2 LED Mini + Post-top bracket + Botua pole

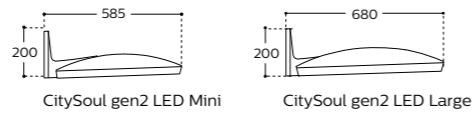


CitySoul gen2 LED + Accent



A versatile and stylish solution that can feature up to 4 luminaires mounted in an attractive spiral configuration. The optional LED top point will highlight your environment's design signature at night.

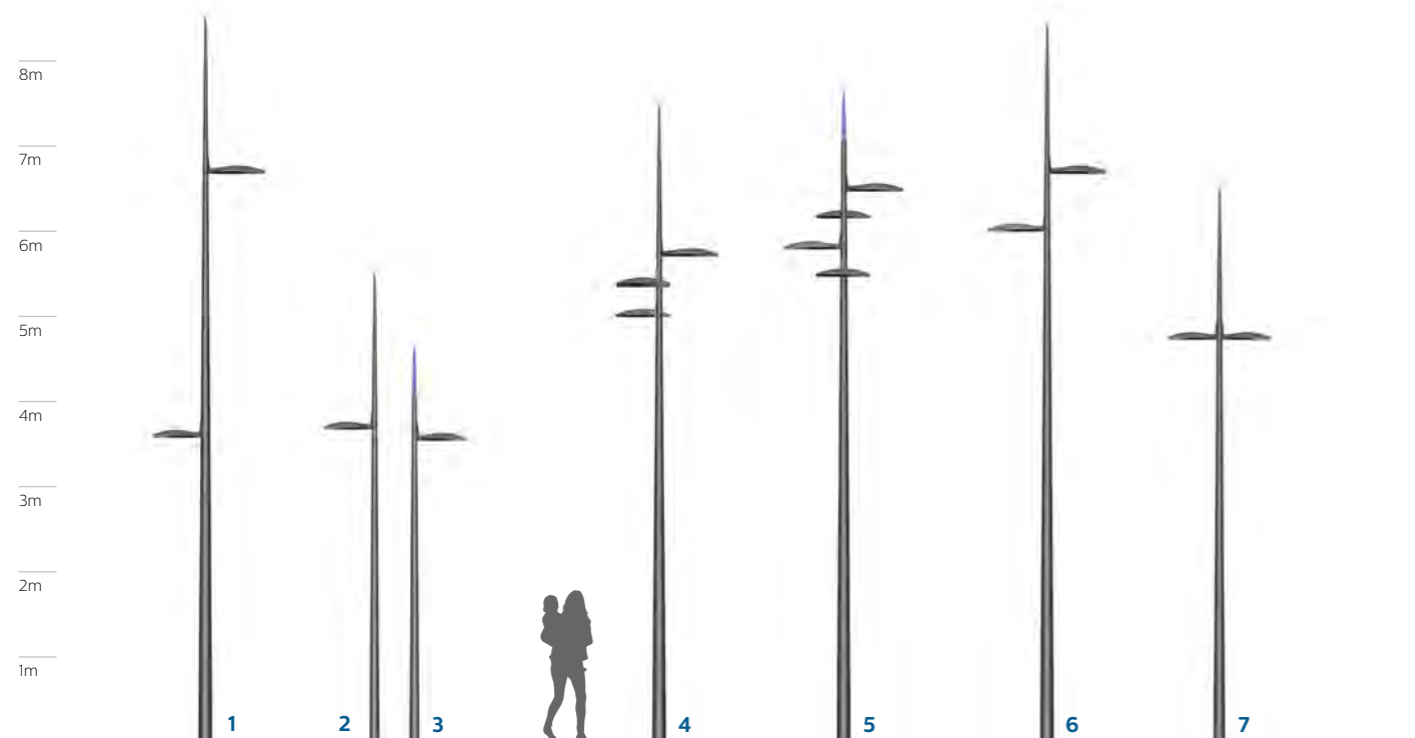
- Dedicated cast aluminium bracket
- Installation height 3,5 to 8 m
- Multiple spiral configurations 1 to 5 luminaires (spiral)
- Top light point in option
- Easy urban integration
- Comfort and ambience lighting
- Best-in-class performance
- Compatible with Accante conical pole in steel (top Ø 60, 62 or 76 mm)



Measurements in mm

Complete sets

- 1.** CitySoul gen2 LED Large + Accent bracket + Ocean Straight pole + CitySoul gen2 LED Mini + Accent bracket **2.** CitySoul gen2 LED Mini + Accent bracket + Ocean Straight pole **3.** CitySoul gen2 LED Mini + Accent bracket + Ocean Straight pole + Top light point **4-6.** CitySoul gen2 LED Large + Accent bracket + Ocean Straight pole **5.** CitySoul gen2 LED Large + Accent bracket + Ocean Straight pole + Top light point **7.** CitySoul gen2 LED Mini + Accent bracket + Ocean Straight pole

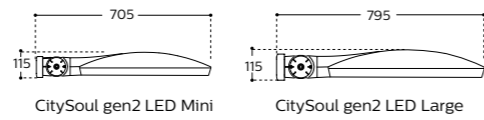


CitySoul gen2 LED + Curved



An elegant curved shape with an articulated interface dedicated to the luminaire and an optional LED top point to further highlight a major street's design signature.

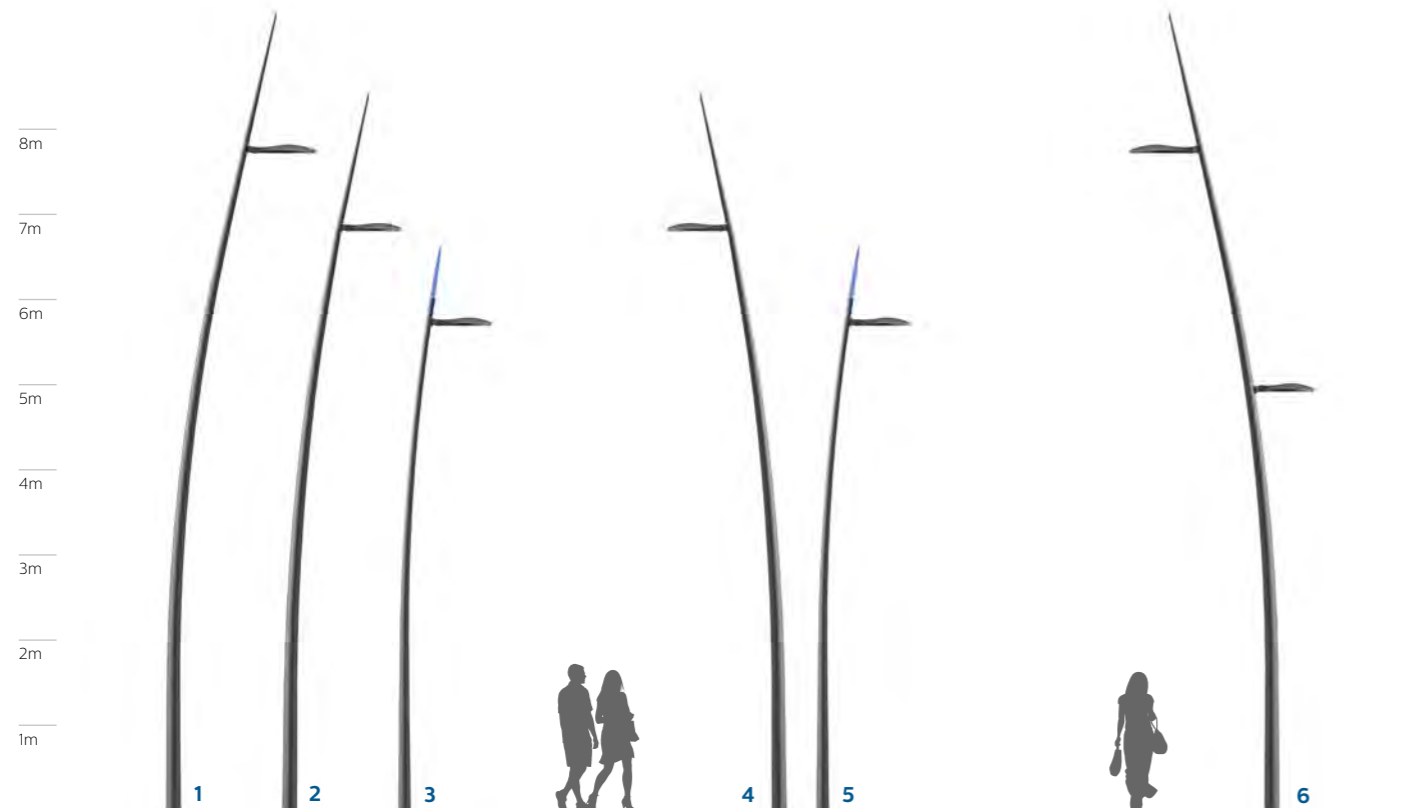
- Dedicated cast aluminium bracket
- Installation height up to 6 m (CitySoul gen2 LED Mini), up to 12 m (CitySoul gen2 LED Large)
- Top light point in option
- Easy urban integration
- Comfort and ambience lighting
- Best-in-class performance



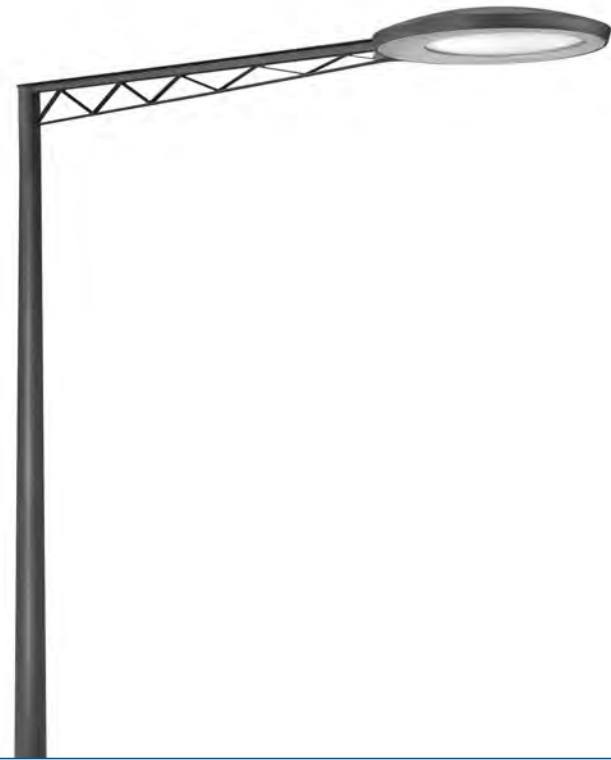
Measurements in mm

Complete sets

1-2-4. CitySoul gen2 LED Large + MBA spigot + Ocean Curved pole **3-5.** CitySoul gen2 LED Large + MBA spigot + Ocean Curved pole + Top light point **6.** CitySoul gen2 LED Large + MBA spigot + Ocean Curved pole + CitySoul gen2 LED Mini + MBA spigot

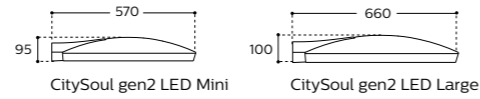


CitySoul gen2 LED + Graphic



Designed to reference traditional architectural steel frame structures, the Graphic bracket and CitySoul gen2 LED luminaire offer a modernized look of a typically industrial form factor.

- Dedicated extruded steel bracket
- Installation height 6 to 10 m
- Compatible with Accante conical pole in steel (top Ø 60 or 62 mm)
- Sets with one or two luminaires, single or double, rear bracket and wall mounted in different lengths and several pole heights
- Easy urban integration
- Comfort and ambience lighting
- Best-in-class performance

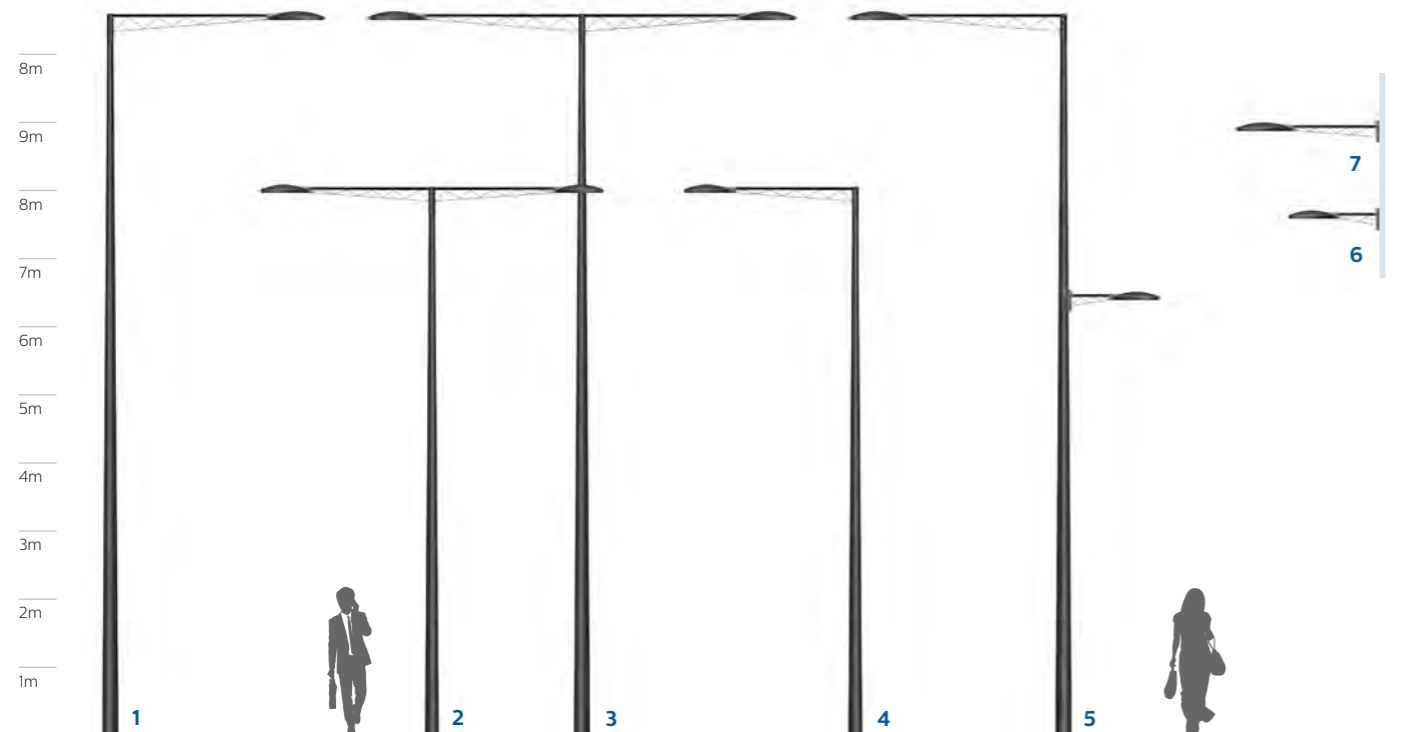


Measurements in mm



Complete sets

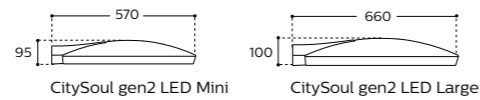
1-3. CitySoul gen2 LED Large + Graphic L1800 bracket + Aloa/Accante pole **2-4.** CitySoul gen2 LED Mini + Graphic L1400 bracket + Aloa/Accante pole **5.** CitySoul gen2 LED Large + Graphic L1800 bracket + Aloa/Accante pole + CitySoul gen2 LED Mini + Graphic L500 rear bracket **6.** CitySoul gen2 LED Mini + Graphic L500 wall bracket **7.** CitySoul gen2 LED Large + Graphic L1000 wall bracket



CitySoul gen2 LED + East

For modern areas and streets, the East bracket is a perfect fit. With its pure and lean shape, it combines seamlessly with the pole and the CitySoul gen2 LED luminaire to give neighbourhoods a sophisticated and contemporary feel.

- Dedicated extruded cast aluminium bracket
- Installation height 6 to 10 m
- Compatible with Accante conical pole in steel (top Ø 60 or 62 mm)
- Sets with one or two luminaires, single or double, rear bracket and wall mounted in different lengths and several pole heights
- Easy urban integration
- Comfort and ambience lighting
- Best-in-class performance

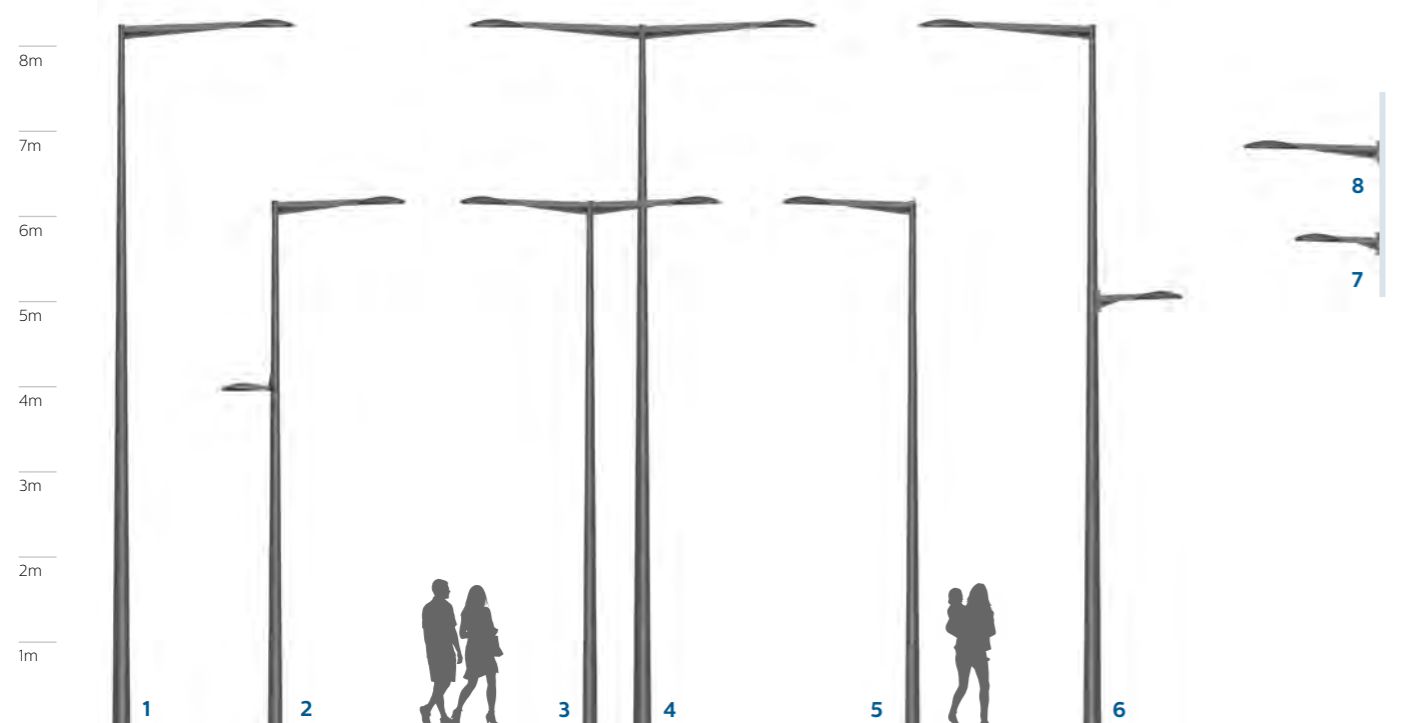


Measurements in mm



Complete sets

1-4. CitySoul gen2 LED Large + East L1400 bracket + Aloa/Accante pole **2.** CitySoul gen2 LED Mini + East L1000 bracket + Aloa/Accante pole + CitySoul gen2 LED Mini + Accent rear bracket **3-5.** CitySoul gen2 LED Mini + East L1000 bracket + Aloa/Accante pole **6.** CitySoul gen2 LED Large + East L1400 bracket + Aloa/Accante pole + CitySoul gen2 LED Mini + East L500 rear bracket **7.** CitySoul gen2 LED Mini + East L500 wall bracket **8.** CitySoul gen2 LED Large + East L1000 wall bracket



CitySoul gen2 LED + Right Curve



With its slender shapes and silhouettes, the Right Curve bracket has an attractive aerial feeling that will integrate perfectly into classical environments

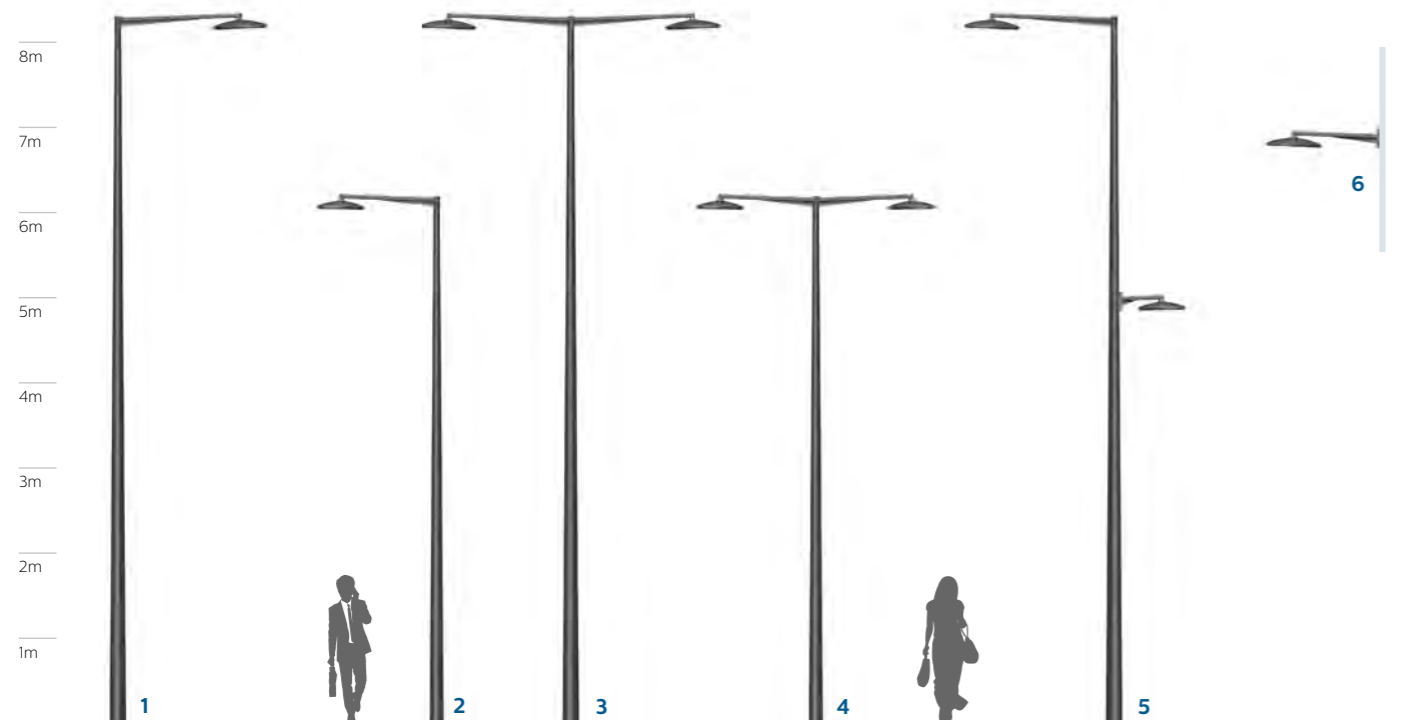
- Dedicated extruded steel bracket
- Installation height 6 to 8 m
- Compatible with Accante conical pole in steel (top Ø 60 or 62 mm)
- Sets with one or two luminaires, single or double, rear bracket and wall mounted in different lengths and several pole heights
- Easy urban integration
- Comfort and ambience lighting
- Best-in-class performance



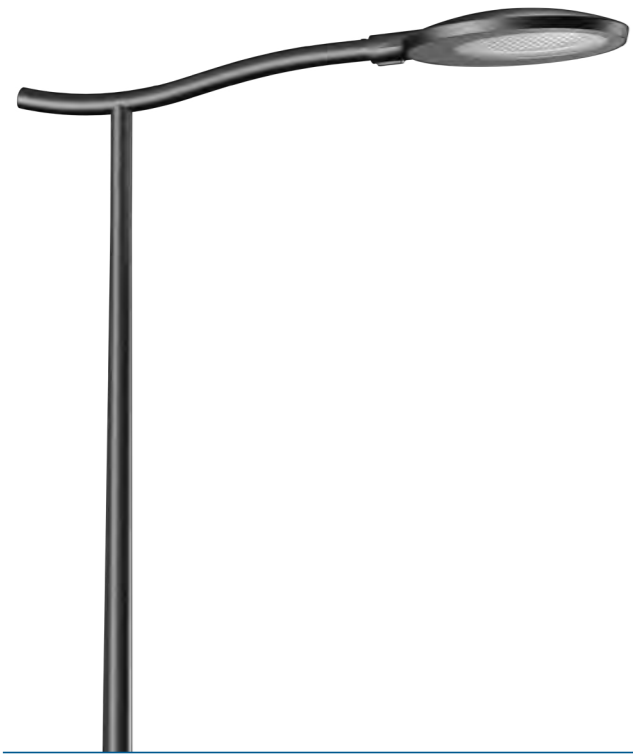
Measurements in mm

Complete sets

1-3. CitySoul gen2 LED Large + Right Curve S1400 bracket + Aloa/Accante pole 2-4. CitySoul gen2 LED Mini + Right Curve S1100 bracket + Aloa/Accante pole 5. CitySoul gen2 LED Large + Right Curve S1400 bracket + Aloa/Accante pole + CitySoul gen2 LED Mini + Right Curve S500 rear bracket 6. CitySoul gen2 LED Large + East S1000 wall bracket



CitySoul gen2 LED + UrbanWave



A tubular curved shape that looks like a wave and will fit perfectly with CitySoul gen2 LED luminaires in contemporary urban settings.

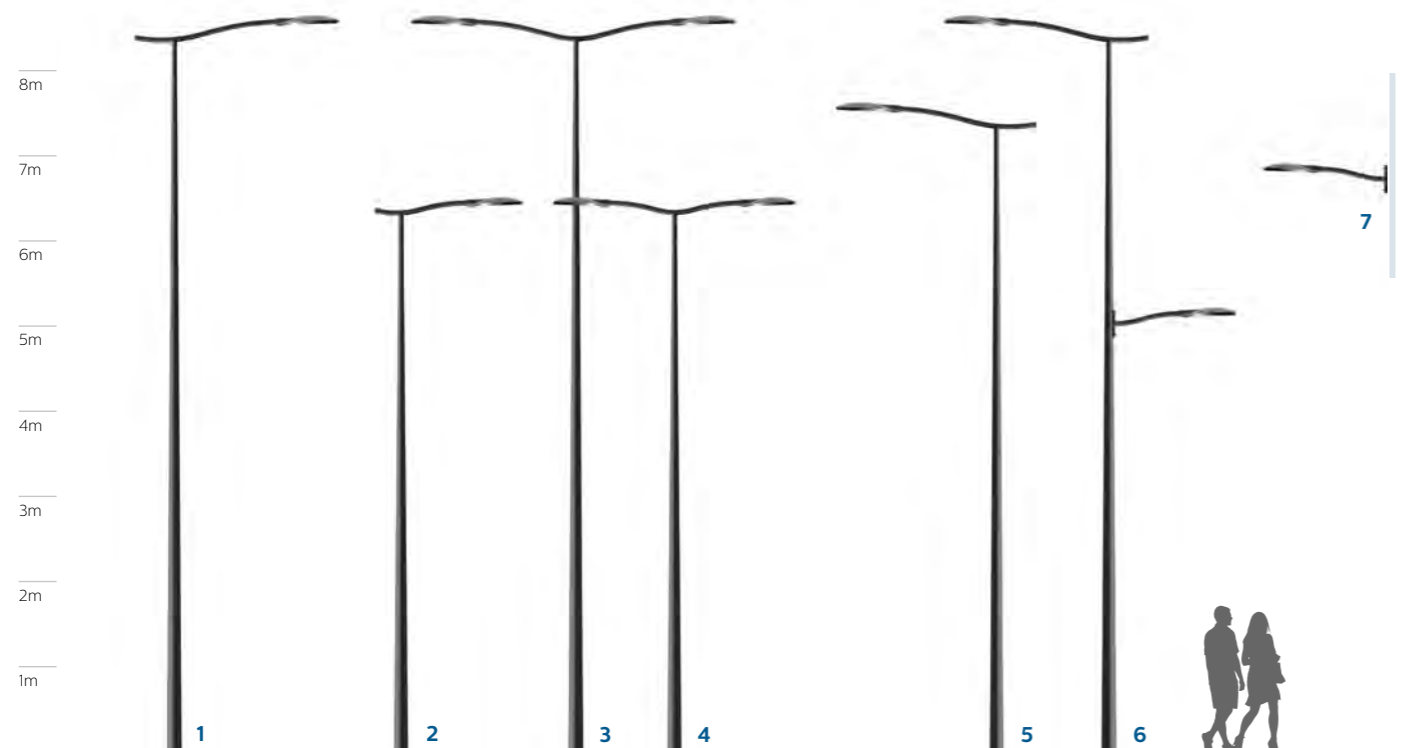
- Standard extruded steel bracket
- Installation height 6 to 8 m
- Compatible with Accante conical pole in steel (top Ø 60 or 62 mm)
- Sets with one or two luminaires, single or double, rear bracket and wall mounted in different lengths and several pole heights
- Easy urban integration
- Comfort and ambience lighting
- Best-in-class performance



Measurements in mm

Complete sets

1-3-5. CitySoul gen2 LED Large + UrbanWave L1200 bracket + Aloa/Accante pole **2-4.** CitySoul gen2 LED Mini + UrbanWave L750 bracket + Aloa/Accante pole **6.** CitySoul gen2 LED Large + UrbanWave L1200 bracket + Aloa/Accante pole + CitySoul gen2 LED Mini + UrbanWave L750 rear bracket **7.** CitySoul gen2 LED Mini + UrbanWave L750 wall bracket

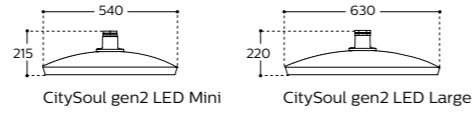


CitySoul gen2 LED + Azur



Combining modern aesthetics and classical inspiration this curved bracket easily fits elegantly and soberly in both city centres or residential areas where varied urban identities exist.

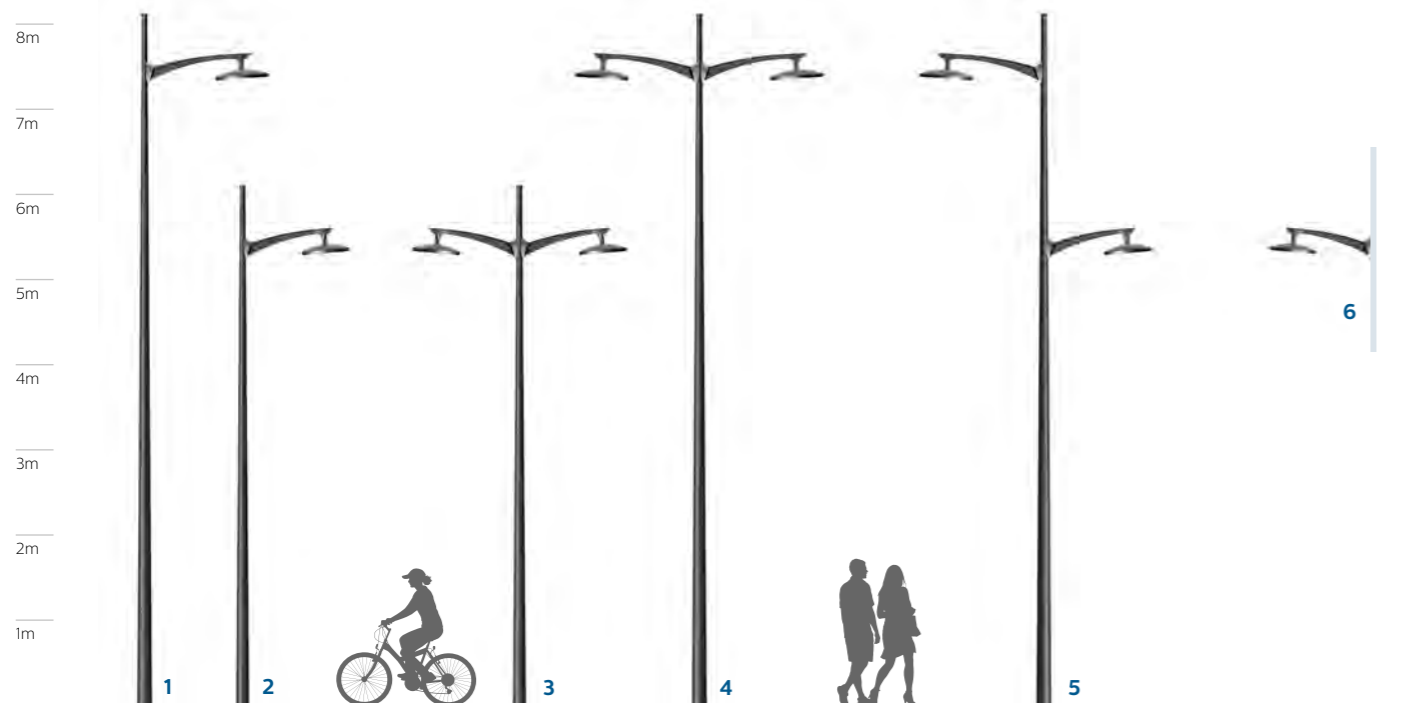
- Standard cast aluminium bracket
- Installation height 5 to 8 m
- Compatible with Accante conical pole in steel (top Ø 60 or 62 mm)
- Sets with one or two luminaires, single or double, rear bracket and wall mounted in different lengths and several pole heights
- Easy urban integration
- Comfort and ambience lighting
- Best-in-class performance



Measurements in mm

Complete sets

1-4. CitySoul gen2 LED Large + Azur S1100 bracket + Aloa/Accante pole **2-3.** CitySoul gen2 LED Mini + Azur S1000 bracket + Aloa/Accante pole **5.** CitySoul gen2 LED Large + Azur S1100 bracket + Aloa/Accante pole + CitySoul gen2 LED Mini + Azur S1000 rear bracket **6.** CitySoul gen2 LED Mini + Azur S1000 wall bracket

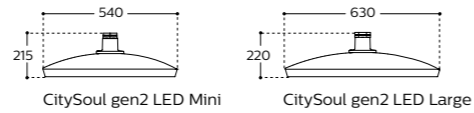


CitySoul gen2 LED + Nuance



This stylish, curved bracket easily feels at home in a 21st-century city, while respecting and enhancing the aesthetic appeal of neighbourhoods that have a rich history.

- Standard cast aluminium bracket
- Installation height 5 to 8 m
- Compatible with Accante conical pole in steel (top Ø 60 or 62 mm)
- Sets with one or two luminaires, single or double, rear bracket and wall mounted in different lengths and several pole heights
- Easy urban integration
- Comfort and ambience lighting
- Best-in-class performance

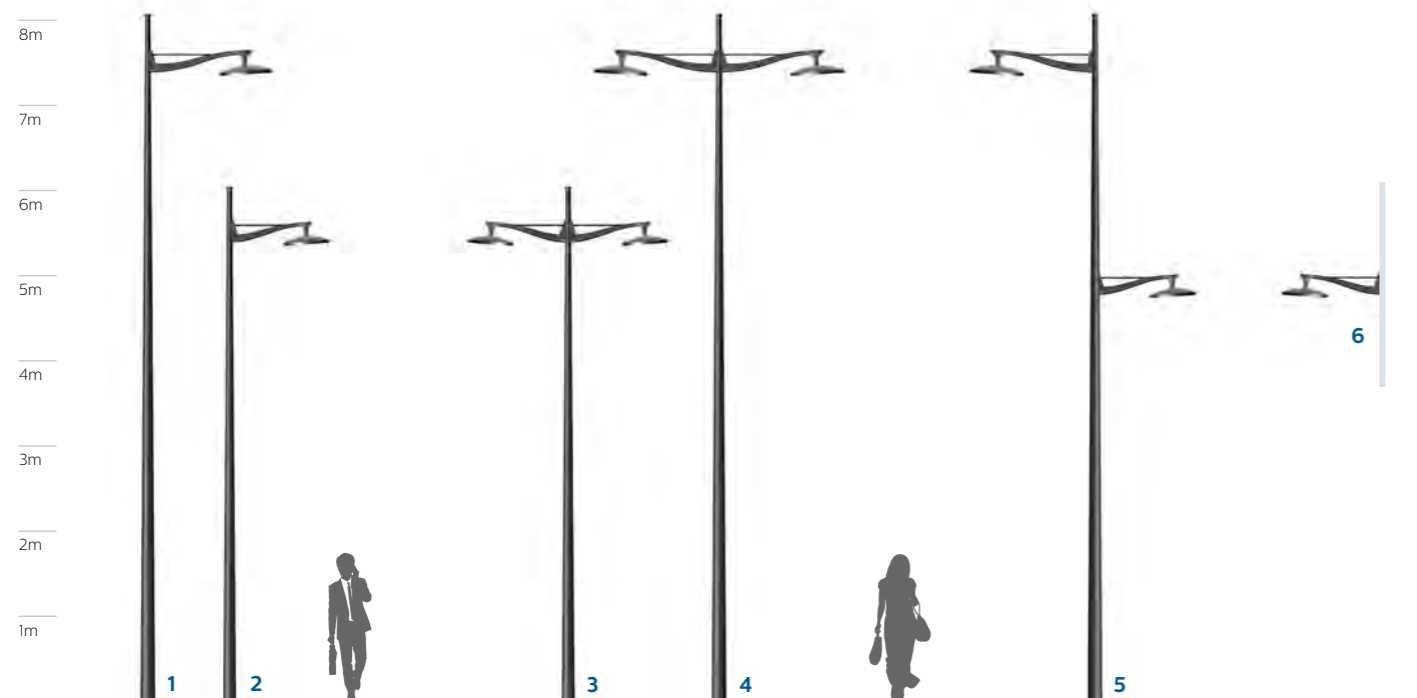


Measurements in mm



Complete sets

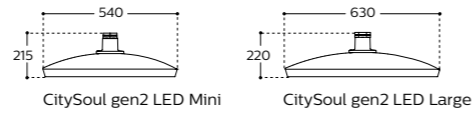
1-4. CitySoul gen2 LED Large + Nuance S1100 bracket + Aloa/Accante pole **2-3.** CitySoul gen2 LED Mini + Nuance S900 bracket + Aloa/Accante pole **5.** CitySoul gen2 LED Large + Nuance S1100 bracket + Aloa/Accante pole + CitySoul gen2 LED Mini + Nuance S900 rear bracket **6.** CitySoul gen2 LED Mini + Nuance S900 wall bracket



CitySoul gen2 LED + Heritage

Areas that have a classical, historic ambiance are complemented seamlessly by the Heritage bracket. This stylish, curved bracket easily feels at home in a 21st-century city, while respecting and enhancing the aesthetic appeal of neighbourhoods that date back to a bygone era.

- Standard extruded steel bracket
- Installation height 6 to 8 m
- Compatible with Accante conical pole in steel (top Ø 60 or 62 mm)
- Sets with one or two luminaires, single or double, rear bracket and wall mounted in different lengths and several pole heights
- Easy urban integration
- Comfort and ambience lighting
- Best-in-class performance

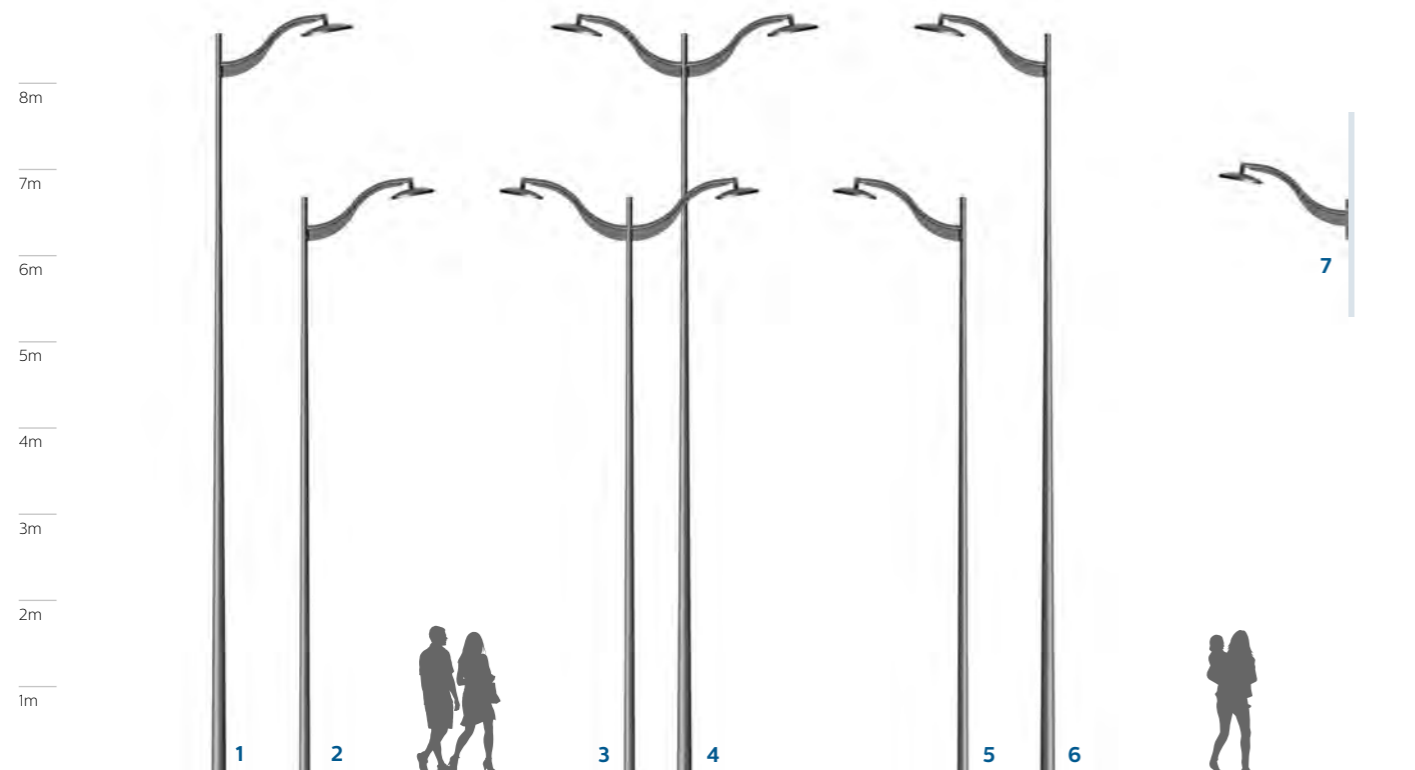


CitySoul gen2 LED Mini CitySoul gen2 LED Large

Measurements in mm

Complete sets

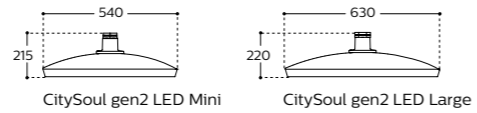
1-4-6. CitySoul gen2 LED Large + Heritage S1200 bracket + Aloa/Accante pole **2-3-5.** CitySoul gen2 LED Mini + Heritage S1200 bracket + Aloa/Accante pole **7.** CitySoul gen2 LED Mini + Heritage S1200 wall bracket



CitySoul gen2 LED + Catenary

The Catenary bracket allows the CitySoul gen2 LED luminaire to fit into streets and on paths where decluttering is a necessity - like shopping districts and car-free zones.

- Installation height 5 to 10 m
- Easy urban integration
- Comfort and ambience lighting
- Best-in-class performance

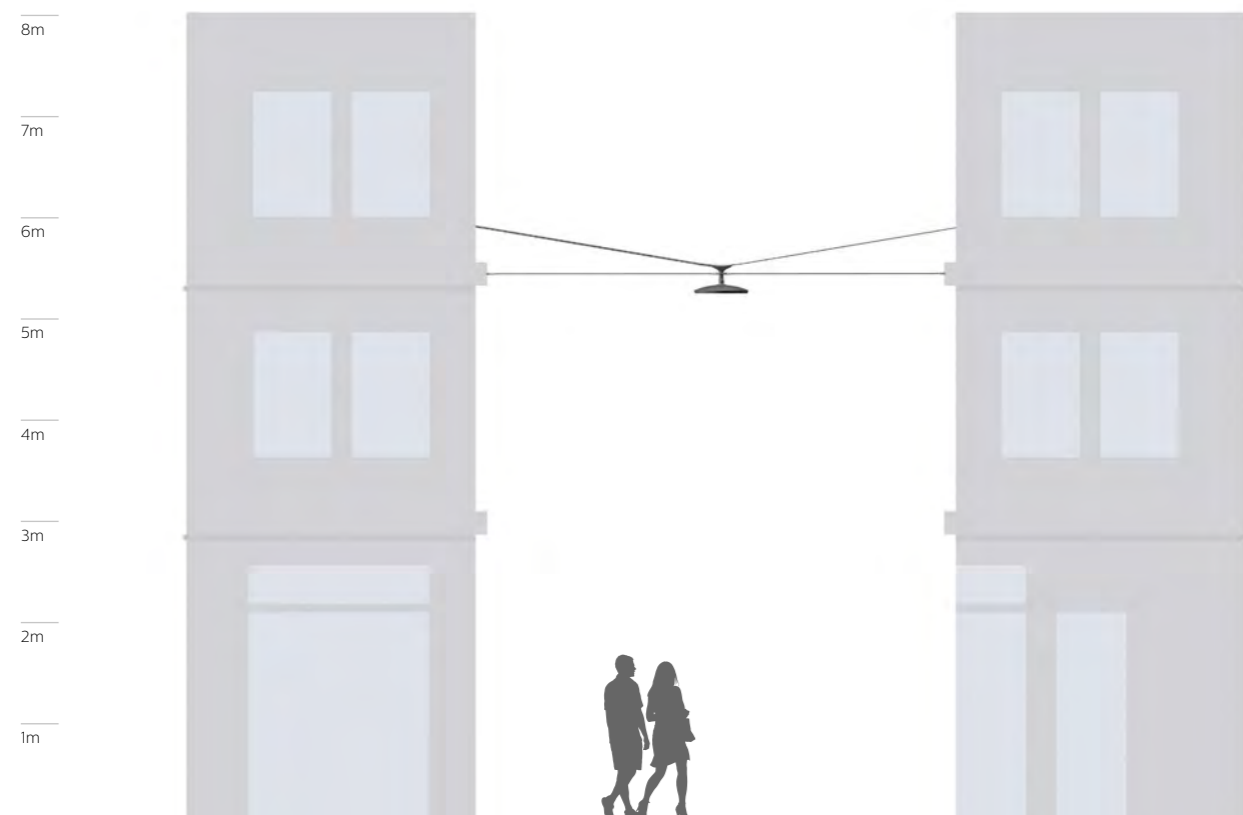


CitySoul gen2 LED Mini CitySoul gen2 LED Large

Measurements in mm

Complete sets

CitySoul gen2 LED Mini + Catenary



Ocean LED

The lightweight, delicate and sophisticated Ocean LED range integrates into contemporary cityscapes with extreme fluency and elegant discretion. This innovative range meets the most stringent requirements of both ambience lighting and urban street and road lighting. Allowing use in all situations, Ocean LED is available for various planning solutions, from the simplest to the most complex situation, making it the perfect lighting solution for personalizing your urban spaces.



Ocean LED

Complete lighting point solutions

One of the main characteristics of the Ocean LED range is the total solution that it offers to municipalities, landscape architects, urban planners and lighting designers. Architectural enhancement can only be fully realised when both the luminaires and their supports are part of an integrated concept. To this end, Ocean LED includes a range of dedicated poles and brackets which are consistent with the visual style of the luminaires.

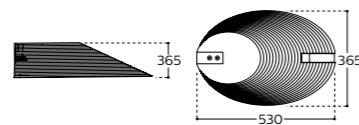


Ocean Road LED + FD/FR



The graceful and fluid lines of Ocean Road LED will harmonize discretely with all types of urban environment. This modular luminaire can be combined with different dedicated sets, such as straight, curved and inclined poles, brackets and wall mounted luminaires. Designed for heights of 4 to 9 m, Ocean Road LED combines compactness, finesse and efficiency. With different optics, it is suited for several lighting applications, main roads and side streets, pedestrian areas, squares, paths and boulevards and avenues.

- Energy efficiency and reduction of CO₂ emissions
- Optimized pole spacing
- Controlled light pollution
- Tool-less maintenance
- White light with excellent colour rendering



Measurements in mm

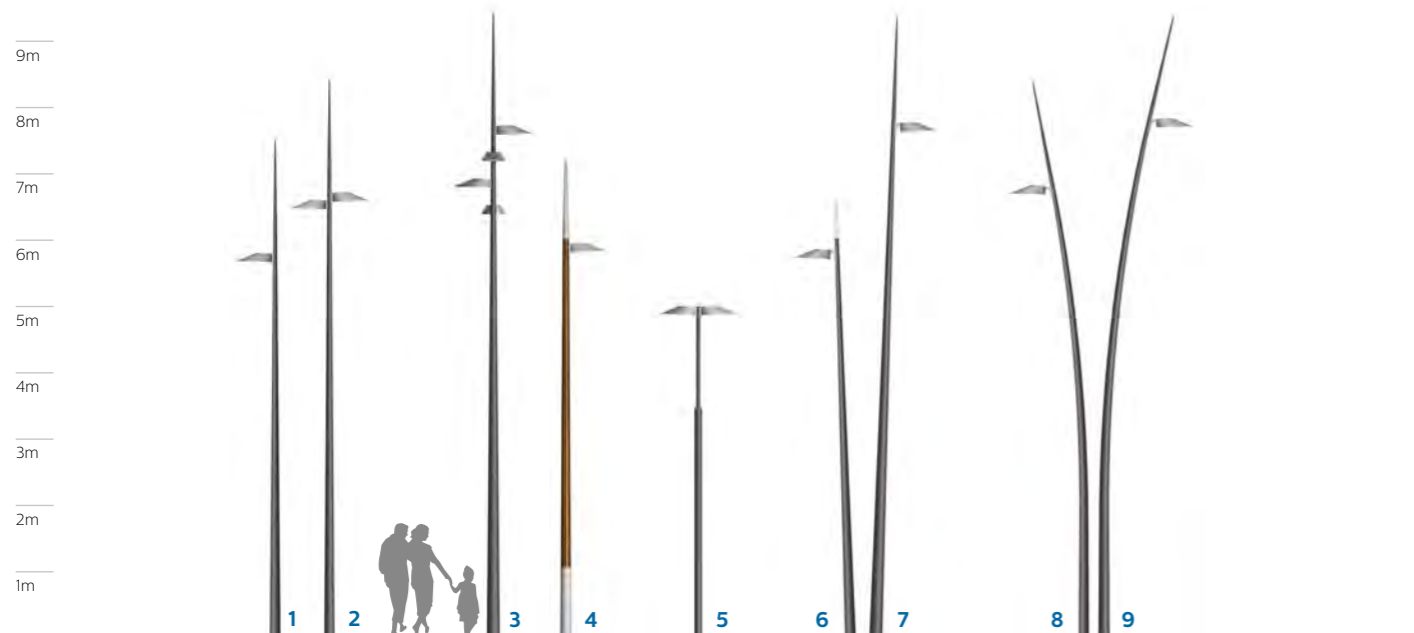


FD mounting

FR mounting

Complete sets

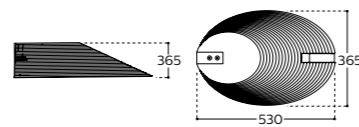
- 1-2-3. Ocean Road LED + Ocean FD bracket + Ocean Road straight steel pole with top point
4. Ocean LED Road LED + Ocean FD bracket + Ocean Road wooden pole with top point
5. Ocean Road LED + Ocean FD bracket + Ocean Road stepped pole
6. Ocean Road LED + Ocean FR bracket + Ocean Road 2° inclined steel pole with luminous top point
7. Ocean Road LED + Ocean FR bracket + Ocean Road 2° inclined steel pole with top point
- 8-9. Ocean Road LED + Ocean FR bracket + Ocean Road curved steel pole with top point.



Ocean Road LED + CD

The graceful and fluid lines of Ocean Road LED will harmonize discretely with all types of urban environment. This modular luminaire can be combined with different dedicated sets, such as straight, curved and inclined poles, brackets and wall mounted luminaires. Designed for heights of 4 to 9 m, Ocean Road LED combines compactness, finesse and efficiency. With different optics, it is suited for several lighting applications, for main roads and side streets, pedestrian areas, squares, paths and boulevards and avenues.

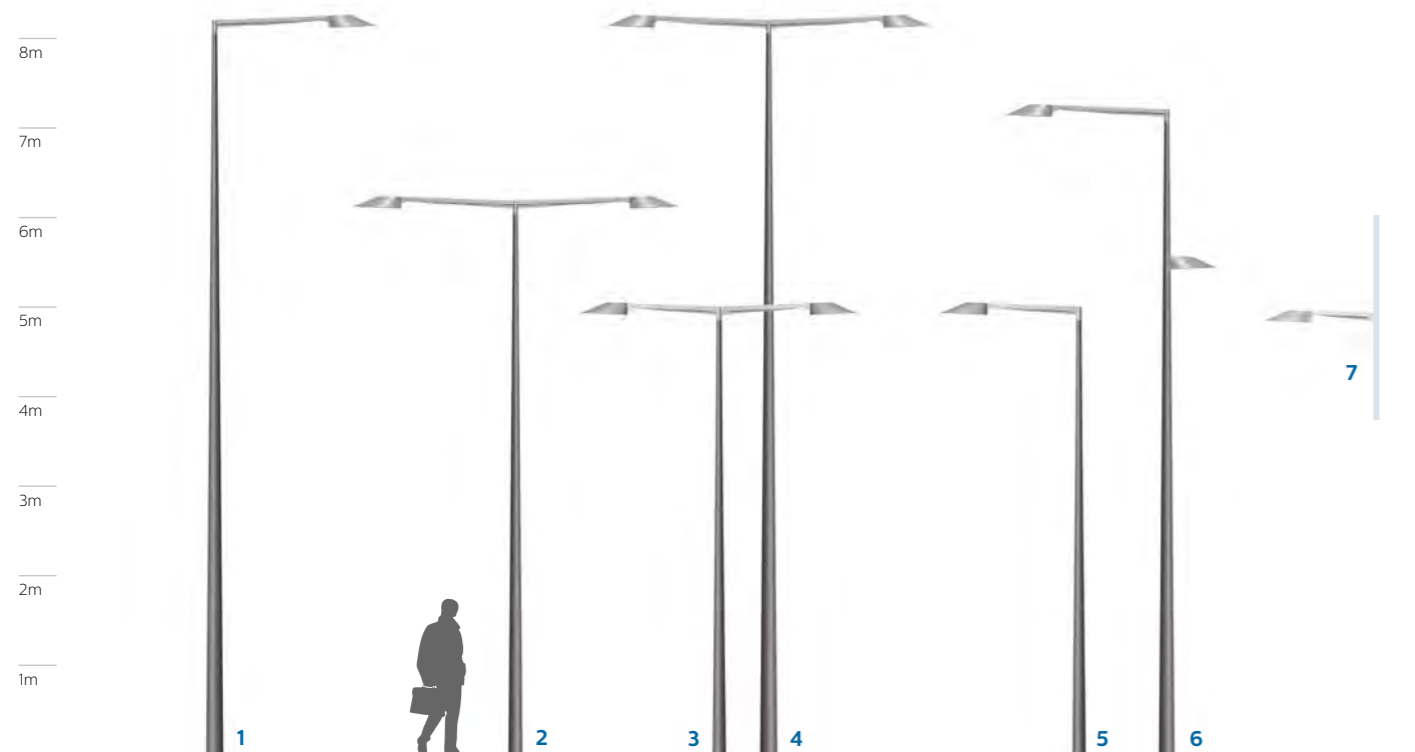
- Energy efficiency and reduction of CO₂ emissions
- Optimized pole spacing
- Controlled light pollution
- Tool-less maintenance
- White light with excellent colour rendering



Measurements in mm

Complete sets

1-2-4. Ocean Road LED + Ocean CD S1500 bracket + Accante pole **3-5.** Ocean Road LED + Ocean CD S1300 bracket + Accante pole
6. Ocean Road LED + Ocean CD S1500 bracket + Accante pole + Ocean FD rear bracket **7.** Ocean Road LED + Ocean CD wall bracket

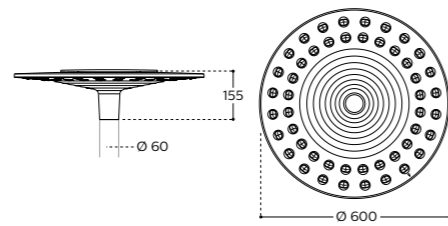


Ocean Ambiance LED



Using LED technology, Ocean Ambiance LED sets new standards and is in perfect continuity of shape with its support. This ambience lighting luminaire is designed for heights from 4 to 6 m and is ideal for lighting residential areas, squares, parks, playgrounds, pedestrian areas, boulevards and avenues. Ocean Ambiance LED luminaires are designed for post-top Ocean steel or wooden poles, and combine high-quality construction in an integrated concept to compose installations with an exclusive character.

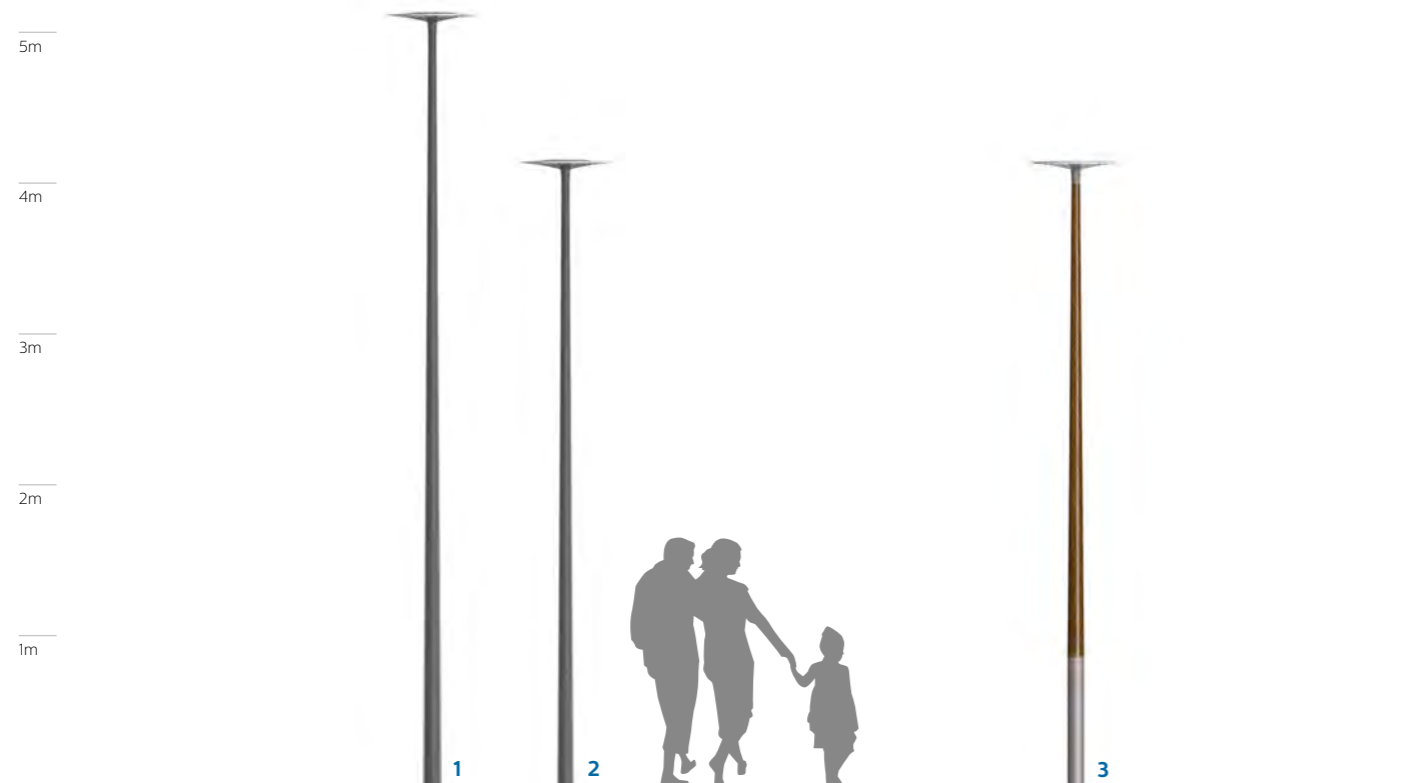
- Energy efficiency and reduction of CO₂ emissions
- Long lifetime
- Controlled light pollution
- White light and optimal colour rendering



Measurements in mm

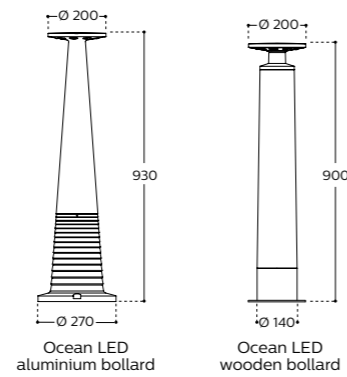
Complete sets

1-2. Ocean Ambiance LED + Ocean Ambiance aluminium pole 3. Ocean Ambiance LED + Ocean Ambiance wooden pole



Ocean LED bollard

- The Ocean LED bollards form an integral part of the Ocean LED range, elegantly lighting for marking pedestrian areas and paths or creating light effects for squares, parks and playgrounds.
- Creation of ambiances
- Marking & lighting
- White light for better guidance
- LED white colour temperatures or RGB on request



Measurements in mm

Complete sets

1. Ocean LED bollard aluminium 2. Ocean LED bollard wooden



Ambience lighting

In the heart of each city are the people that live there or visit. Getting together, socialising outside, building a community within an inspiring and safe environment are the cornerstones of city centre life.

Our ambience complete lighting set solutions, with strong focus on enhancing and well-being functions up to 6 meters, including modern and classical ranges, show people what light can do for squares, parks, playgrounds, shopping and pedestrian areas as well as for residential areas to make them feel proud of their city.



Ambience lighting



CitySphere
64



CityCharm
68



Metronomis LED
72



ParkView LED
80



UrbanStar
84



Thema T2 LED
88



CristalCity
92



ClassicStreet
96



Micenas gen2 LED
100



Jargeau 400 gen2 LED
104



UrbanScene
108

CitySphere

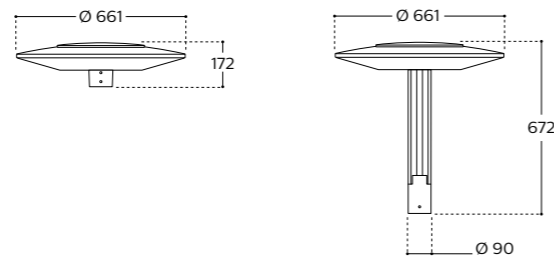
At a time of rapidly changing social practices, every city is looking to be more attractive, welcoming, convenient and safe. CitySphere is a post-top ambiance LED luminaire designed to create a comfortable and pleasant atmosphere that puts the users of public spaces at ease. A slim, discreet presence during the day, it brings urban spaces to life at night. CitySphere delivers a visually comfortable volume of light and gives the city its own colour signature. CitySphere comes with dedicated spigots, brackets and poles, enabling urban planners, specifiers and city decision makers to create a consistent urban identity and ambience.



CitySphere



- Installation height 4 to 6 m
- Dedicated spigots, single and double-arm brackets, and poles match the style of the luminaires
- Visual comfort perception
- Colour signature and scenarios
- Create a distinctive atmosphere
- Two bowl finishes (clear and ribbed) for different types of ambience
- Energy-efficient and reduction of CO₂ emissions



CitySphere Standard spigot

CitySphere Decorative spigot

Measurements in mm



Complete sets

1. CitySphere Decorative spigot + Accante pole
2. CitySphere Standard spigot + CitySphere bracket 76 + Accante pole
3. CitySphere Standard spigot + Alteo pole
4. CitySphere Standard spigot + Altua pole
5. CitySphere Standard spigot + CitySphere bracket 60 + Accante pole
6. CitySphere Standard spigot + CitySphere bracket 76 + Accante pole
7. CitySphere Standard spigot + Accante pole
8. CitySphere Standard spigot + CitySphere bracket 60 + Accante pole
9. CitySphere Standard spigot + CitySphere wall bracket 60



CityCharm

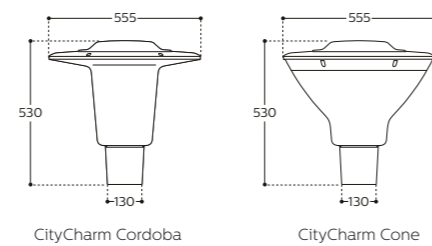
CityCharm is designed for use in urban areas where comfortable lighting, ambiance and design play an important role. CityCharm is the perfect solution for renovation areas as for new installations. Its complete design, high quality finishing and optical performance are state of the art and make the product a future proof solution for residential streets, parks, squares and city centres, where visual comfort and maximum efficiency are key. CityCharm offers a choice of two iconic designs (Cordoba and Cone) and various accessories, enabling you to create a lighting solution that carries your signature, both by day and by night. CityCharm luminaires are also available as a complete set, with a choice of dedicated poles and brackets.



CityCharm



- Installation height 3.5 to 6 m
- Complete solution with dedicated poles and brackets
- Two designs for classical or modern architectural contexts
- Play with volume by taking out the dark grey inner parts to create more volume
- Available with colour effects via orange, blue and green coloured inner parts
- Enhances visual comfort with GentleBeam optical system
- Control back light with light trespass louver



Measurements in mm

Complete sets

1. CityCharm Cone + Accante pole 2. CityCharm Cordoba + orange colour effect + Accante pole 3. CityCharm Cordoba + dedicated CityCharm bracket + Accante pole 4. CityCharm Cordoba+ orange colour effect + dedicated CityCharm bracket + Accante pole 5. CityCharm Cone + dedicated CityCharm bracket + Accante pole 6. CityCharm Cordoba + dedicated CityCharm post-top bracket + Accante pole 7. CityCharm Cone + dedicated CityCharm post-top bracket + Accante pole 8. CityCharm Cordoba + dedicated CityCharm wall mounting bracket



Metronomis LED

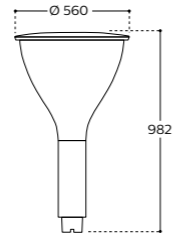
The efficient and timeless design of Metronomis LED blends ideally into modern architectural environments, uplifting cityscapes with its innate sense of superlative design. Yet its transparent, seamless character is tastefully discrete, enabling the charm and tradition of old-world, heritage architecture to maintain its sense of appeal while providing convincing proof that traditional qualities can successfully blend with state-of-the-art technology. Metronomis LED in this way pays its respect to the common cultural heritage of historic buildings, living witnesses to our long traditions. The diverse character of Metronomis LED luminaires with their variety of bowls, poles and lighting effects means that the luminaires can be adapted in detail to suit any surroundings, providing either a pleasant, discrete contrast to complement the appeal of heritage cityscapes or else enabling lighting installations that blend confidently with modern and contemporary settings.



Metronomis LED Fluid



- Play of light and shadow
- Bowl lighting effects on request
- Installation height up to 5 m
- Long lifetime
- Controlled light pollution
- Special lighting effects on ground available



Measurements in mm

Complete sets

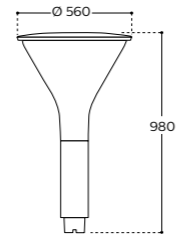
1. Metronomis LED Fluid + MetroTube pole 2. Metronomis LED Fluid + MetroCone pole 3-4. Metronomis LED Fluid + MetroRiginal pole 5-6. Metronomis LED Fluid + MetroWood pole 7. Metronomis LED Fluid + MetroLight pole 8. Metronomis LED Fluid + MetroLat pole



Metronomis LED Sharp



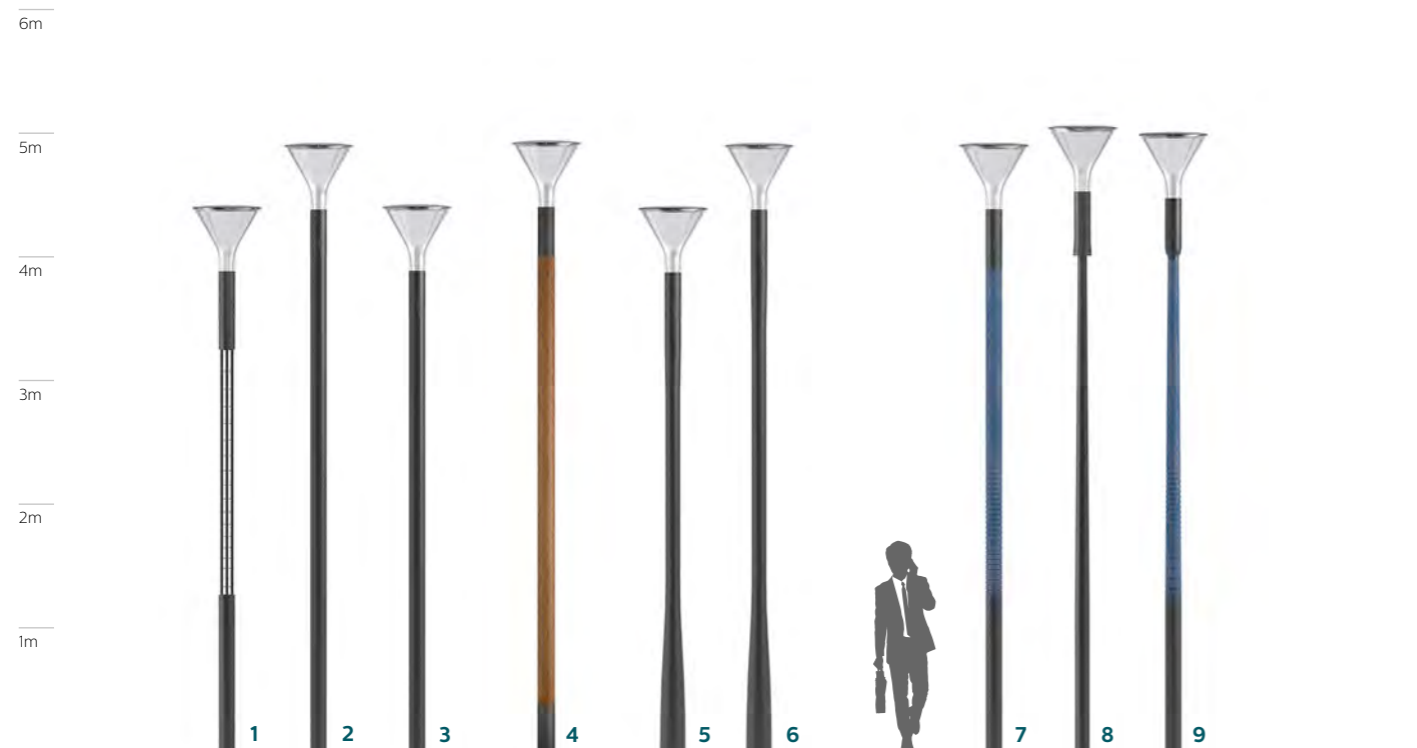
- Play of light and shadow
- Bowl lighting effects on request
- Installation height up to 5 m
- Long lifetime
- Controlled light pollution
- Special lighting effects on ground available



Measurements in mm

Complete sets

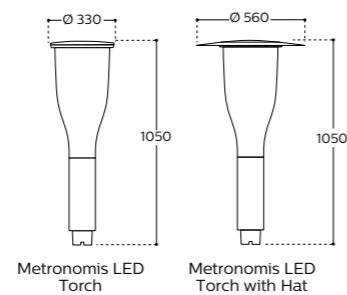
1. Metronomis LED Sharp + MetroLat pole 2-3. Metronomis LED Sharp + MetroTube pole 4-7. Metronomis LED Sharp + MetroWood pole 5-6. Metronomis LED Sharp + MetroRiginal pole 8. Metronomis LED Sharp + MetroLight pole 9. Metronomis LED Sharp + MetroCone pole



Metronomis LED Torch



- Play of light and shadow
- Bowl lighting effects on request
- Installation height up to 5 m
- Long lifetime
- Controlled light pollution
- Special lighting effects on ground available



Measurements in mm



Complete sets

1-2. Metronomis LED Torch + MetroCone pole 3. Metronomis LED Torch + MetroTube pole 4. Metronomis LED Torch with Hat + MetroRiginal pole 5-7. Metronomis LED Torch with Hat + MetroWood pole 6. Metronomis LED Torch + MetroLat pole 8. Metronomis LED Torch with Hat + MetroLight pole



ParkView LED

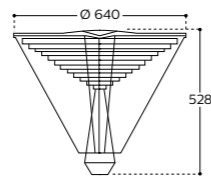
ParkView LED is an elegant urban ambience luminaire designed for mainly pedestrian and residential areas. Its construction of clear polycarbonate and white louvres gives the luminaire a sense of lightness and minimalism. Its cone-shaped housing marked in quarters with vertical cuts, cone-shaped louvre and base create a smooth integration with the pole. ParkView LED is a rotation-symmetrical luminaire, with the LED light source hidden behind louvres. This ensures that the light is directed to the ground with very limited light pollution or glare. ParkView LED is developed in co-development with designer Tegnestuen Bjarne Frost.



ParkView LED



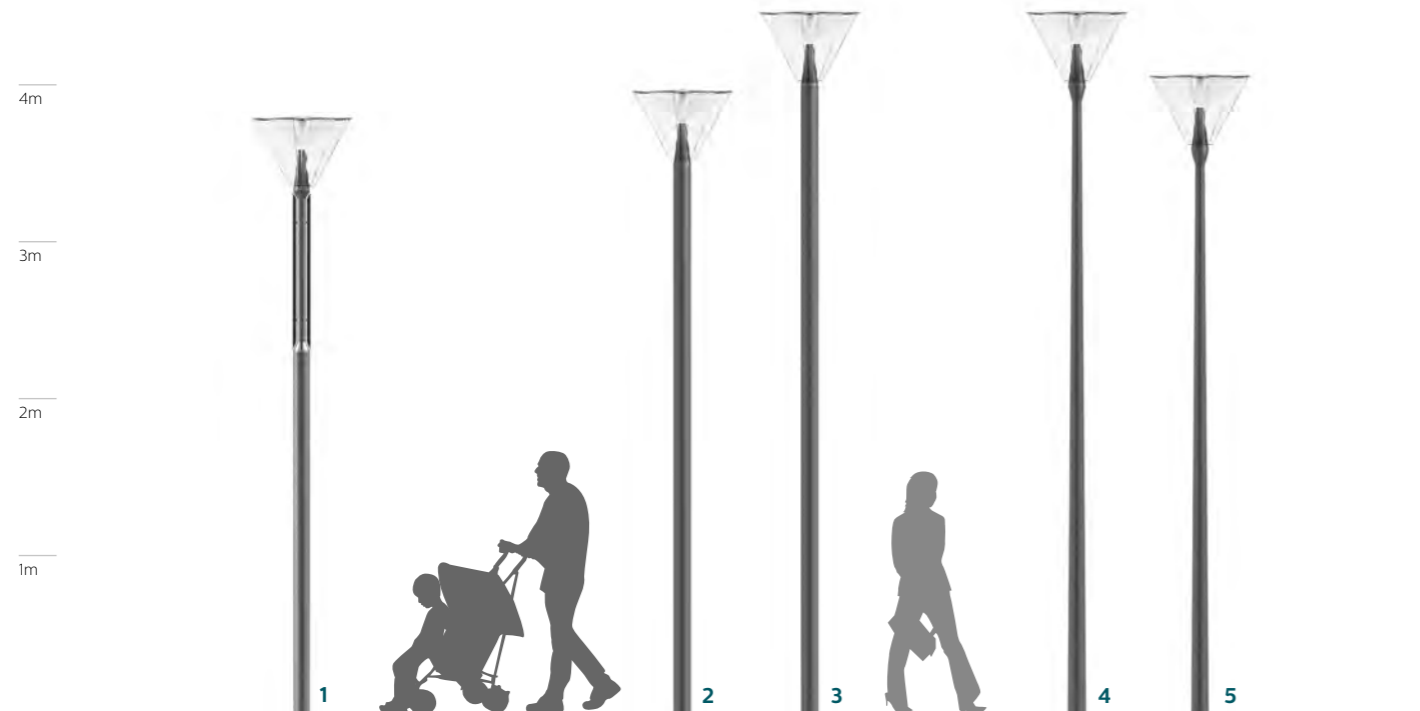
- Installation height 3.5 to 6 m
- A unique typical design for parks and urban landscapes
- Energy efficient LED solution
- Symmetrical light distribution
- ParkView LED with Arrow pole designed by Bjarne Frost



Measurements in mm

Complete sets

1. ParkView LED + Arrow pole 2-3. ParkView LED + Faubourg pole 4-5. ParkView LED + Aloa/Accante pole



UrbanStar

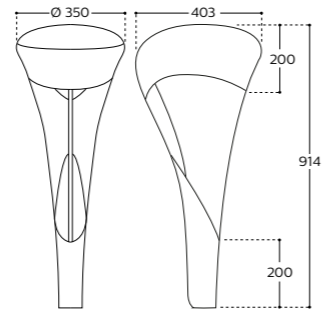
In residential areas, the familiar conical luminaires equipped with PL-L or HPL lamps can now be replaced by a charming design luminaire incorporating LED technology – without losing any of the visual balance and ambience provided by the former solution. UrbanStar is a highly efficient LED luminaire, which enables a significant reduction in energy consumption compared to conventional solutions. It has been specially designed for residential areas in co-development with the Dutch City of Almere, and its translucent cone delivers very comfortable light.



UrbanStar



- Installation height 3.5 to 6 m
- Energy efficiency and reduction of CO₂ emissions
- Long lifetime
- Comfortable light creates atmosphere
- Frosted bowl
- Dedicated luminaire and pole combinations combining innovative design and LED performance



Measurements in mm



Complete sets

1-2. UrbanStar + Woody Urban pole 3. UrbanStar + Accante pole 4. UrbanStar + UrbanStar bi-colour pole 5-6. UrbanStar + Vida pole



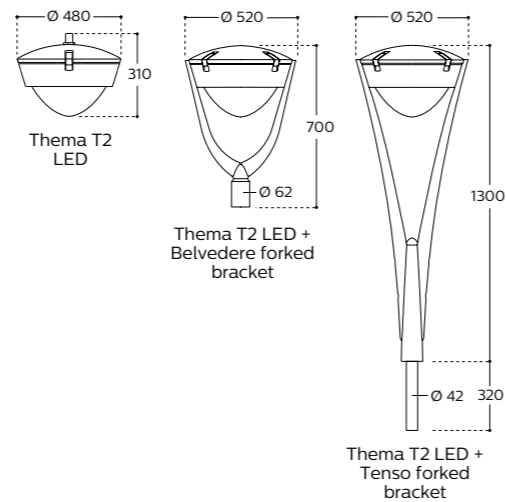
Thema T2 LED

The Thema T2 LED is pre-eminently an urban ambience luminaire. Noticeably present by day and by night, reinforcing the character of a public space and giving it a touch of timelessness. Designed for installation heights up to 6 meters it can light streets and roads, paths, squares and pedestrian areas with warm and comfortable light. Thema T2 LED is a compact round luminaire, which allows a number of installation possibilities: on a bracket for one or two luminaires or in a suspended version.



Thema T2 LED

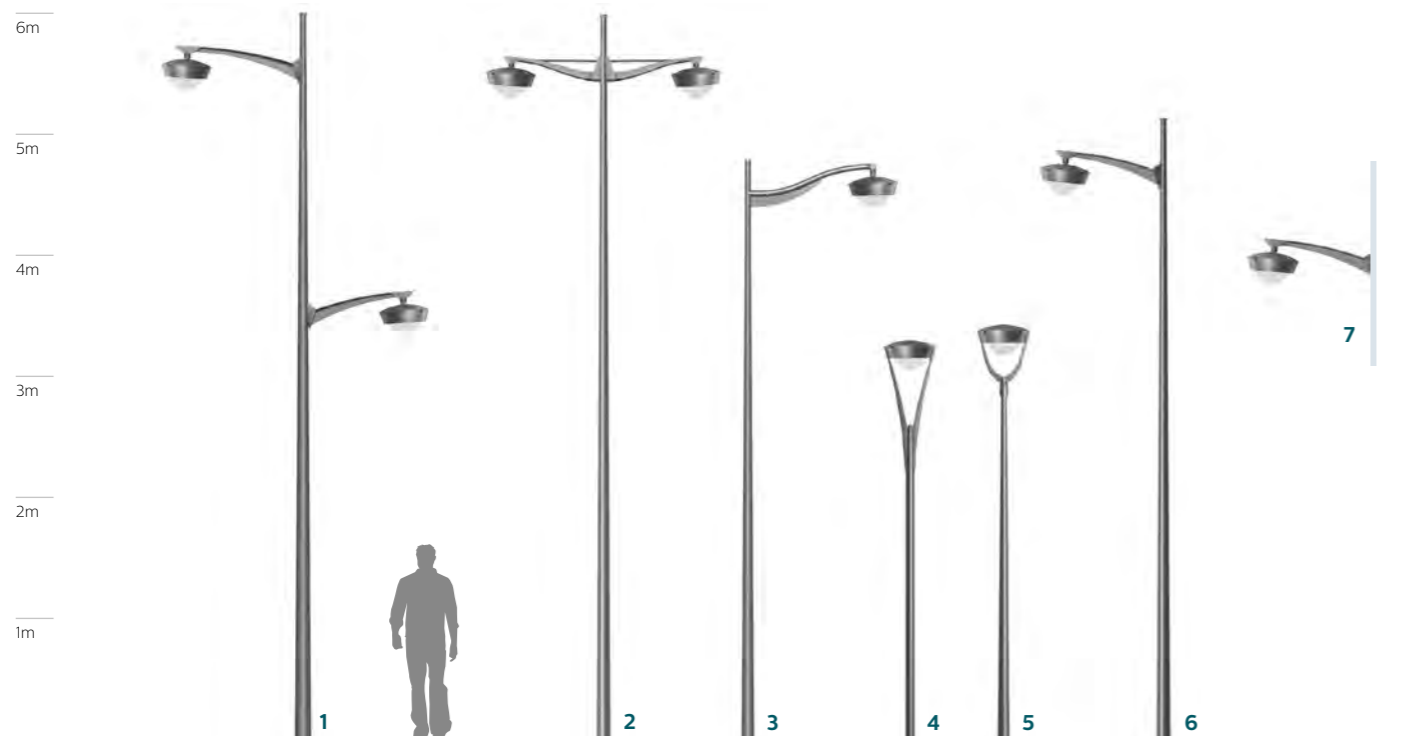
- Installation height 4 to 6 m
- Modularity
- Controlled light pollution
- Dedicated brackets: Tenso and Belvedere forked brackets
- Energy efficiency and reduction of CO₂ emissions



Measurements in mm

Complete sets

1. Thema T2 LED + Azur S1100 bracket + Accante pole + Azur S1000 rear bracket **2.** Thema T2 LED + Nuance S900 bracket + Accante pole
3. Thema T2 LED + Comores S1200 bracket + Accante pole **4.** Thema T2 LED + Tenso forked bracket + Ø 90 mm tubular pole **5.** Thema T2 LED + Belvedere forked bracket + Aloa/Accante pole **6.** Thema T2 LED + Azur S1000 bracket + Accante pole **7.** Thema T2 LED + Azur S1000 wall bracket

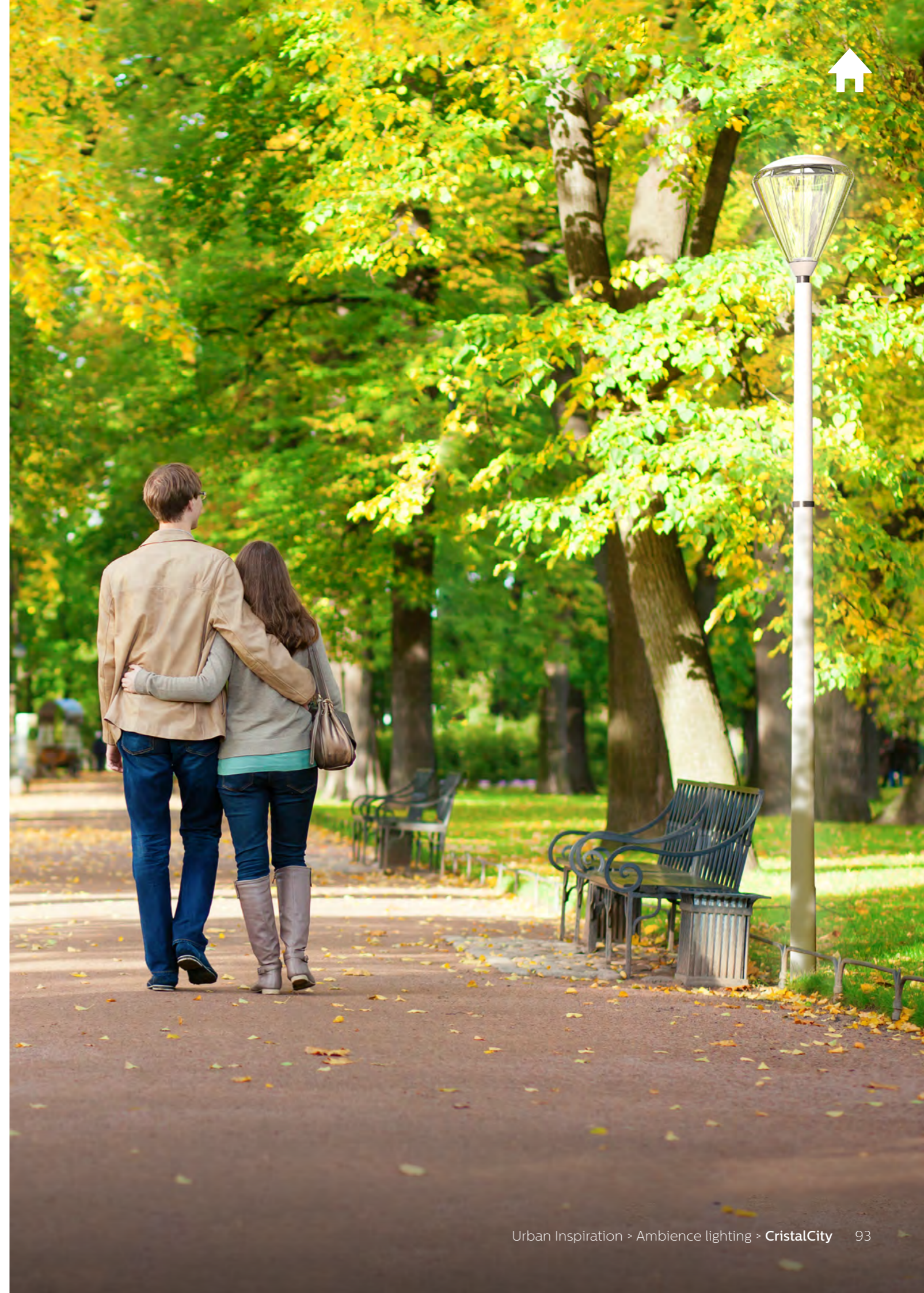


CristalCity

The age of the bowl-shaped luminaire fitted with an inefficient mercury-vapour lamp is over. With CristalCity, Philips is opening up a new era with one of the most efficient alternatives on the market.

The innovative CristalCity combines comfortable, high-efficiency lighting with a refined visual personality. Designed for installation heights of 3.5 to 6 m, this stylish, modern luminaire enhances the ambiance in any streetscape, be it historical or contemporary. CristalCity has an exclusive light signature: the concentrated light beams create a hologram effect that animates differently depending on your perspective. A wide selection of optics and visual-comfort elements ensures glare-free illumination. CristalCity represents a future-proof investment.

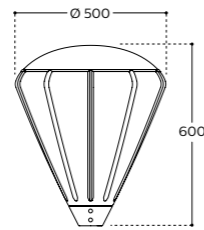
The dome of the luminaire, which incorporates the LED module and the driver, is fully replaceable so you can benefit from future developments in LEDs and their associated efficiencies.



CristalCity



- Installation height 3.5 to 6 m
- Complete solution with dedicated poles and brackets
- Perfect balance between classicism and innovation
- Energy-efficient and reduction of CO₂ emissions
- Low lighting pollution (ULOR < 3%)
- Exclusive light effect in the bowl



Measurements in mm

Complete sets

1. CristalCity + CristalCity bracket + CristalCity + CristalCity rear bracket + Accante pole 2. CristalCity + CristalCity pole 3-4. CristalCity + CristalCity bracket + Accante pole 5. CristalCity + CristalCity pole with decorative Mesh 6. CristalCity + CristalCity wall mounting bracket 7. CristalCity + CristalCity wall mounting bracket with junction box.



ClassicStreet

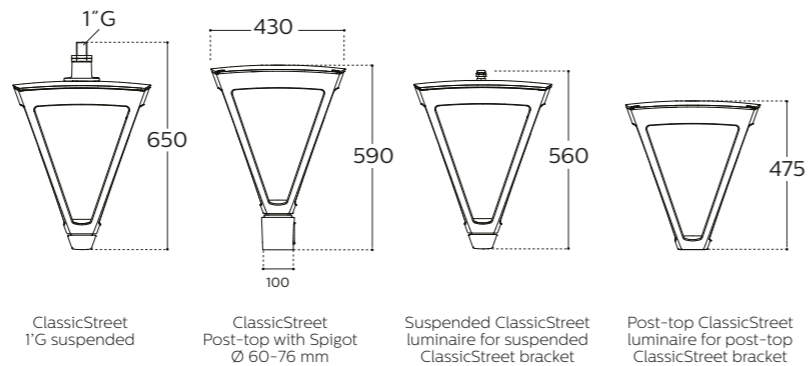
Timeless elegance that is the heart of the new ClassicStreet range. The design is reminiscent of the iconic beauty of 20th-century street lanterns. It combines smart styling with the subtle details of heritage luminaires while meeting today's functional public lighting requirements.

ClassicStreet takes cutting-edge urban lighting and presents it in a way that is at once familiar and surprising. For city planners, it has all the benefits of LED technology: energy savings, long lifetime, low maintenance and digital connectivity options. For the cities inhabitants, the range offers a striking addition to their cityscape, with attractive luminaires that feel equally at home in established and newly-built neighbourhoods.



ClassicStreet

- Installation height 4 to 6 m
- Complete solution with dedicated poles and brackets
- Diffusing solution combining both comfort and performance



Measurements in mm

Complete sets

1-2. ClassicStreet + ClassicStreet post-top bracket Ø 60 mm + Accante pole **3-5.** ClassicStreet + Accante pole **4.** ClassicStreet + ClassicStreet suspended bracket Ø 60 mm + Accante pole **6.** ClassicStreet + Faro S900 suspended bracket + Faro Applique pole **7.** ClassicStreet + Faro S730 suspended bracket + Faro Applique pole **8.** ClassicStreet + Solis S1100 post-top bracket + Accante pole **9.** ClassicStreet + Solis S700 post-top bracket + Accante pole **10.** ClassicStreet + Faro post-top pole **11.** ClassicStreet + Faro S430 suspended wall bracket **12.** ClassicStreet + ClassicStreet post-top wall bracket **13.** ClassicStreet + Solis S700 wall bracket



Micenas gen2 LED

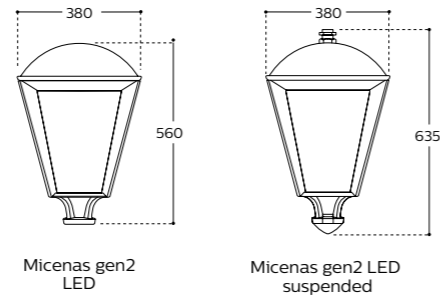
Micenas gen2 LED translates in a unique modern way the traditional four-sided street luminaire. Combining contemporary aesthetics and classical inspiration, Micenas gen2 LED fits elegantly in both city centres and areas where varied urban identities exist. Recommended for installation heights of 4-6 meters, this luminaire provides comfortable ambience lighting of urban streets, pedestrian and shopping areas, historic centres, residential areas, newly developed areas, squares and parks.



Micenas gen2 LED



- Installation height 4 to 6 m
- Available for pole or bracket mounting
- Available for suspended mounting
- Energy efficiency and reduction of CO₂ emissions
- Controlled light pollution



Measurements in mm

Complete sets

1. Micenas gen2 LED + Solis S1100 top bracket + Accante pole 2. Micenas gen2 LED + Solis S700 staggered bracket + Accante pole
 3-4. Micenas gen2 LED + Solis S700 Top tenon 60 bracket + Accante pole 5. Micenas gen2 LED + Aloa/Accante pole 6. Micenas gen2 LED + Faro pole 7. Micenas gen2 LED + Faro S700 post-top bracket + Faro pole 8. Micenas gen2 LED + Faro S700 post-top wall bracket



Jargeau 400 gen2 LED

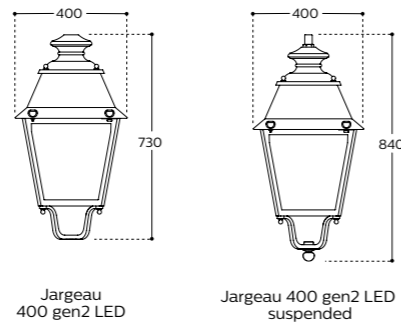
Jargeau 400 gen2 LED combines the symbolic features of the first four-sided street lamps of the 19th century with the technical performance of 21st century luminaires. With a completely updated design, it allows to meet the highest requirements in terms of performance. Made of cast aluminium, for heights of 4-6 meters, this luminaire is well accepted in our urban landscapes and ideal for lighting city centres, historic areas, old villages, residential environments, streets, squares and parks.



Jargeau 400 gen2 LED



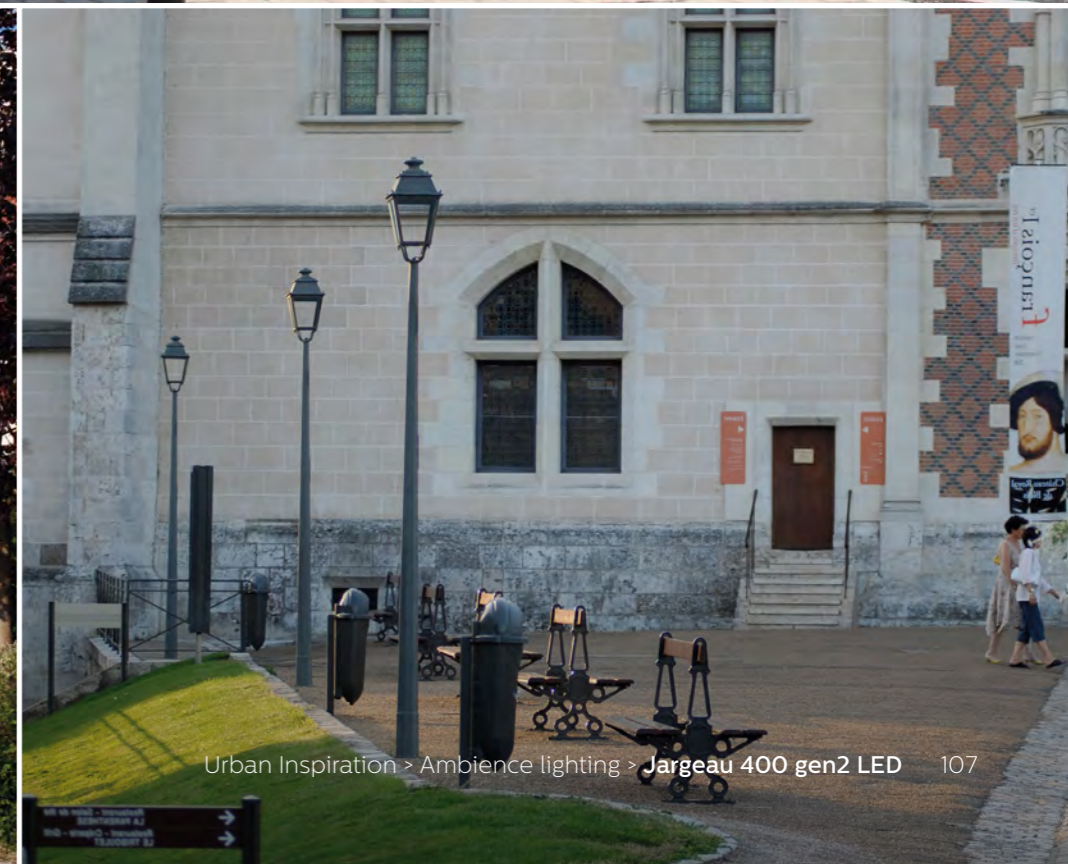
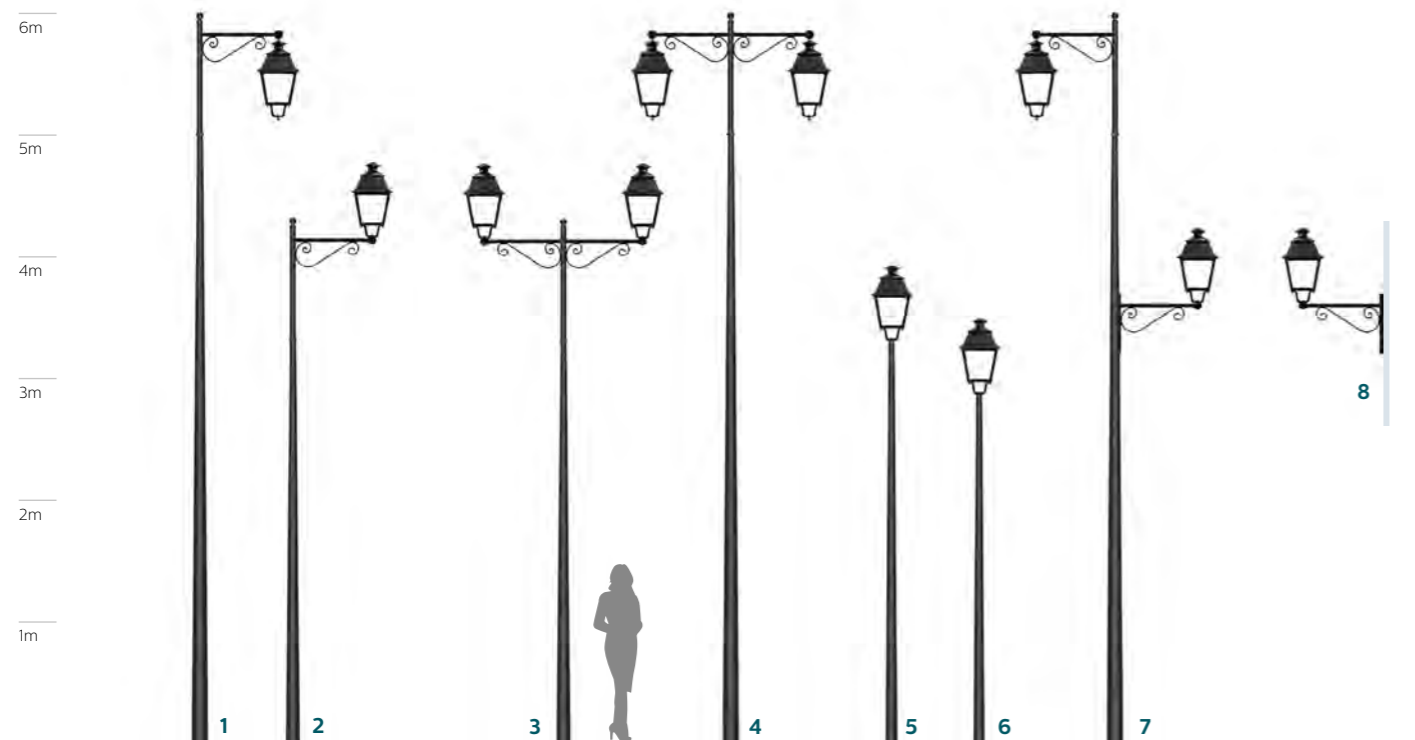
- Installation height 4 to 6 m
- Available in post-top or suspended mounting
- Can be combined with different poles, brackets, wall mounting brackets and multiple-arm brackets
- Energy efficiency and reduction of CO₂ emissions
- Available in a polycarbonate four-sided bowl or in flat glass



Measurements in mm

Complete sets

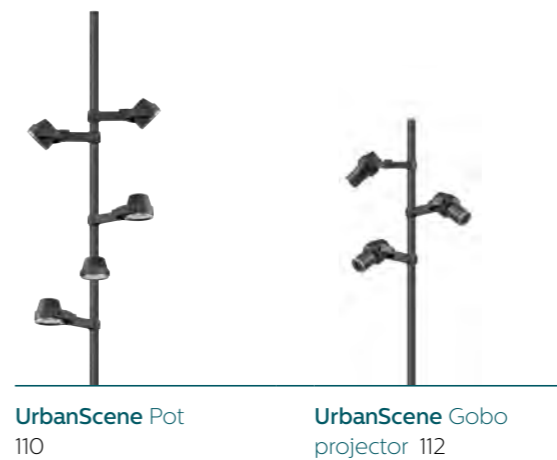
1-4. Jargeau 400 gen2 LED + Wy S750 suspended bracket + Accante pole **2-3.** Jargeau 400 gen2 LED + Wy S750 post-top bracket + Accante pole
5-6. Jargeau 400 gen2 LED + Accante pole **7.** Jargeau 400 gen2 LED + Wy S750 suspended bracket + Accante pole + Jargeau 400 gen2 LED + Wy S750 post-top rear bracket **8.** Jargeau 400 gen2 LED + Wy S750 post-top wall bracket





UrbanScene

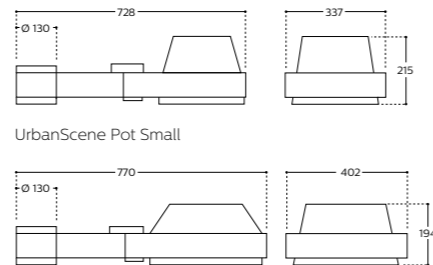
UrbanScene is a range of complete urban ambience lighting solutions, plus dedicated poles and brackets. Their flexibility, coherent design and outstanding optical performance allow them to fulfil all main applications – street lighting, area lighting, illumination and image projection. UrbanScene’s energy-saving features enable local authorities to adopt a sustainable approach to urban inspirational lighting. Designed to be unobtrusive, night-preserving and fully recyclable, UrbanScene has an elegant daytime appearance. Smart brackets allow total flexibility in aiming, while preserving the overall appearance of the total light point.



UrbanScene Pot



- Complete system solution with floodlights, dedicated pole and brackets for general illumination and street lighting
- Creation of ambience lighting
- Installation height 3.5 to 12 m depending on the size
- Energy savings thanks to high-efficiency lamps and electronic gear
- Night-preserving with little or no light spill through well controlled light distribution
- Dedicated poles and smart brackets for flexibility



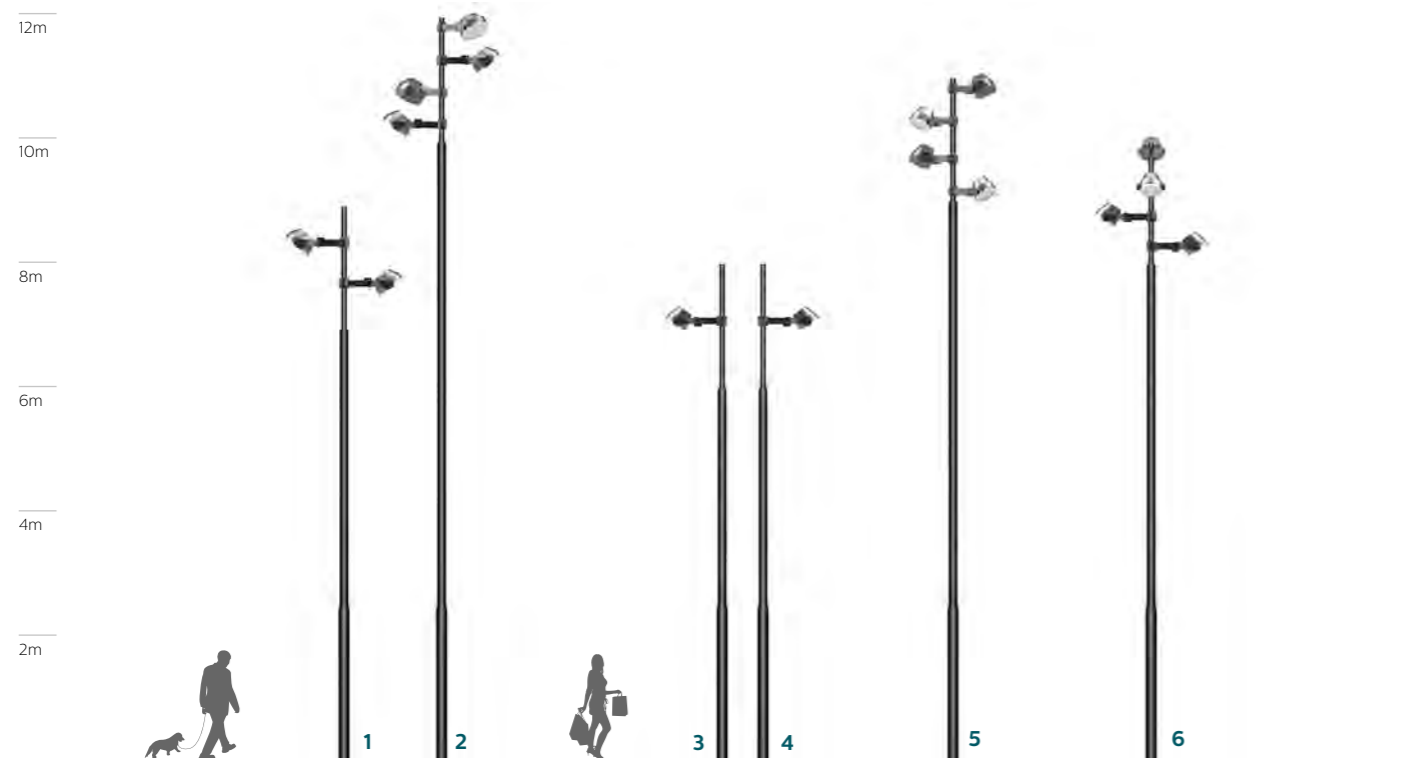
UrbanScene Pot Small

UrbanScene Pot Medium

Measurements in mm

Complete sets

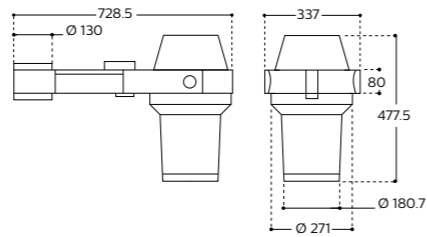
1-2. UrbanScene Pot Medium + L300 bracket + UrbanScene Stepped pole 3-4-5-6. UrbanScene Pot Small + L300 bracket + UrbanScene Stepped pole



UrbanScene Gobo projector



- Complete system solution including floodlights, pole and brackets for general illumination and street lighting
- Modularity & flexibility
- Creation of ambience lighting
- Gobo projector installation height 4 to 12 m
- Dedicated poles and smart brackets for flexibility
- Night-preserving with little or no light spill through well controlled light distribution

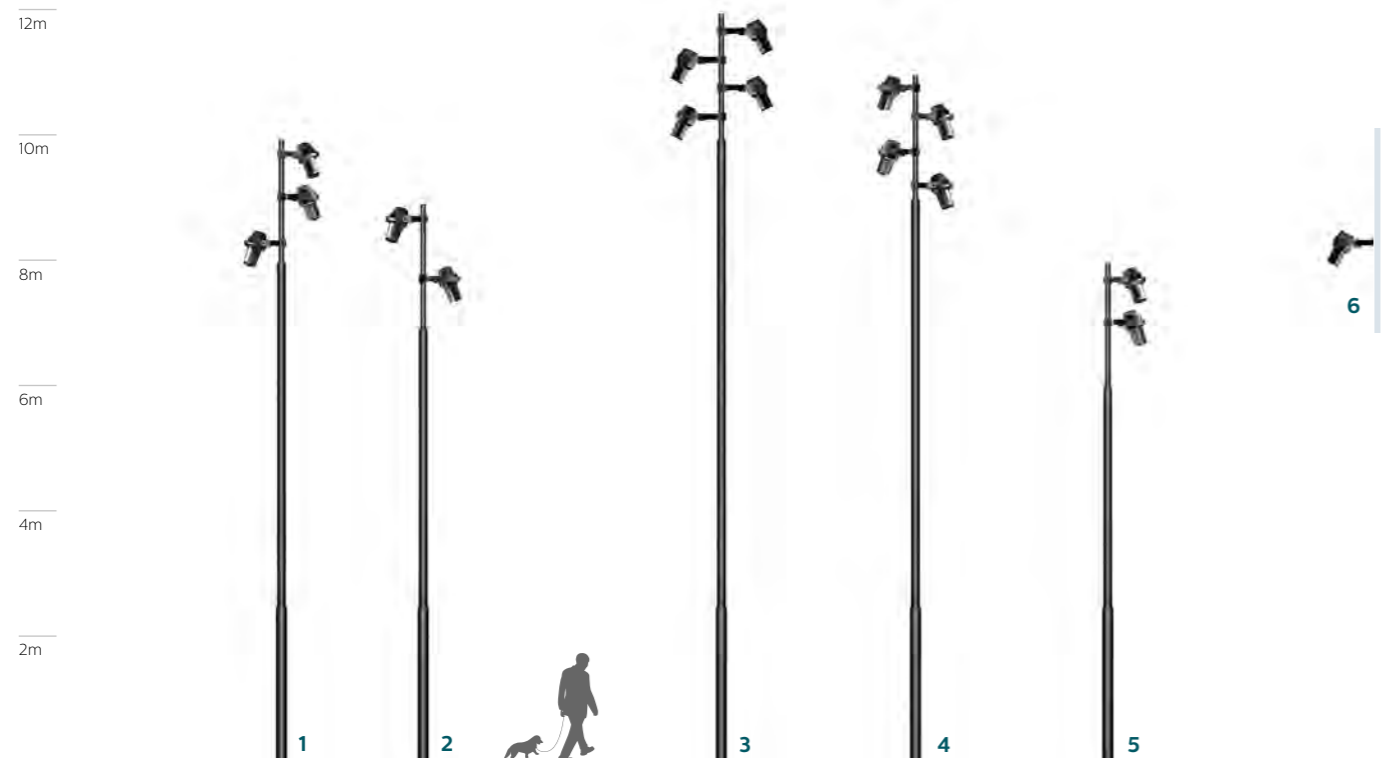


UrbanScene Gobo projector

Measurements in mm

Complete sets

1-2-3-4-5. UrbanScene Gobo projector + L300 bracket + UrbanScene Stepped pole 6. UrbanScene Gobo projector + L300 wall bracket

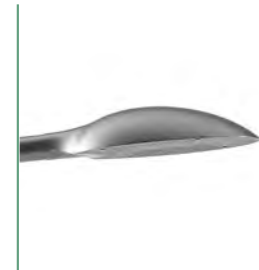


Urban street & road lighting

Addressing the environmental, economic, aesthetic and safety concerns of communities is a challenge that we enter every day. That is why we develop a wide range of efficient, comfortable and cost-effective luminaires that perfectly suit in a cityscape and meet all street and road lighting needs in the urban community. We market our lighting solutions differently by offering modular concepts, flexible configurations and the freedom to personalize a lighting solution. Our urban street and road complete lighting set solutions, with strong focus on enhancing and well-being functions in combination with traffic functions from 6 meters up to 12 meters, including modern and classical ranges, show people what light can do for urban main roads, boulevards and avenues, side streets, cycle and footpaths, pedestrian crossings, residential streets, roundabouts and parking areas to make them feel proud of their city.



Urban street & road lighting



MileWide² LED
116



Harmony LED
126



CitySwan LED
140



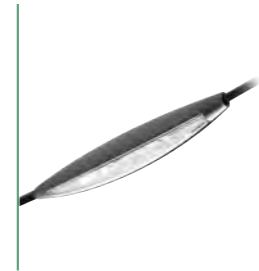
Copenhagen LED
148



Harmony Classique LED 158



UrbanSky
164



FreeStreet
168



MileWide² LED

Many municipalities are embracing the benefits of contemporary outdoor lighting – increasing comfort, safety and security, making districts more attractive, and enhancing the public’s sense of well-being. Not to mention its positive impact on environmental protection and city branding.

Retaining MileWide’s pure design, Knud Holscher has designed a successor featuring an LED module and slim form factor. The luminaire’s design, including dedicated poles and brackets, integrates perfectly with today’s cityscape. Blending clean, simple design and high performance, MileWide² LED is suitable for a host of urban inspirational applications.



MileWide² LED + Curve
118

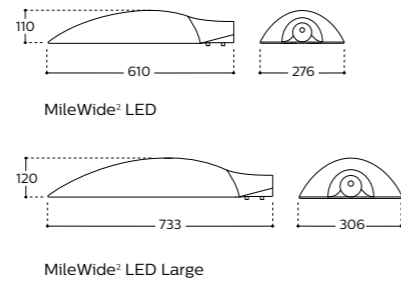
MileWide² LED +
Boulevard 120

MileWide² LED + Slend
122

MileWide² LED +
UrbanWave 124

MileWide² LED + Curve

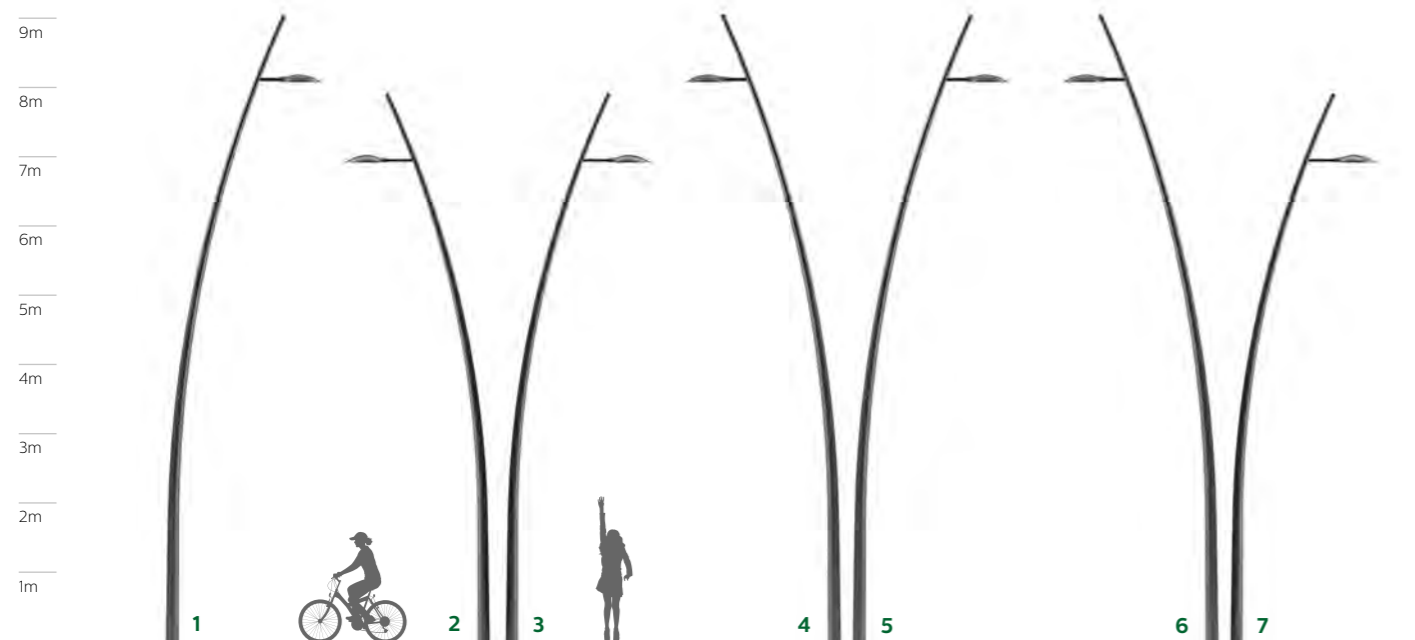
- Standard extruded steel bracket on a steel pole
- Set with one luminaire and single bracket in several pole heights
- Curve pole with bracket designed by Alfred Priess



Measurements in mm

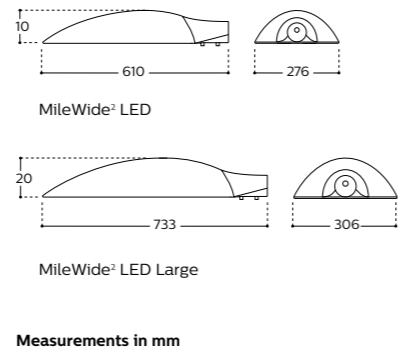
Complete sets

1-4-5-6. MileWide² LED Large + Curve pole with bracket 2-3-7. MileWide² LED + Curve pole with bracket



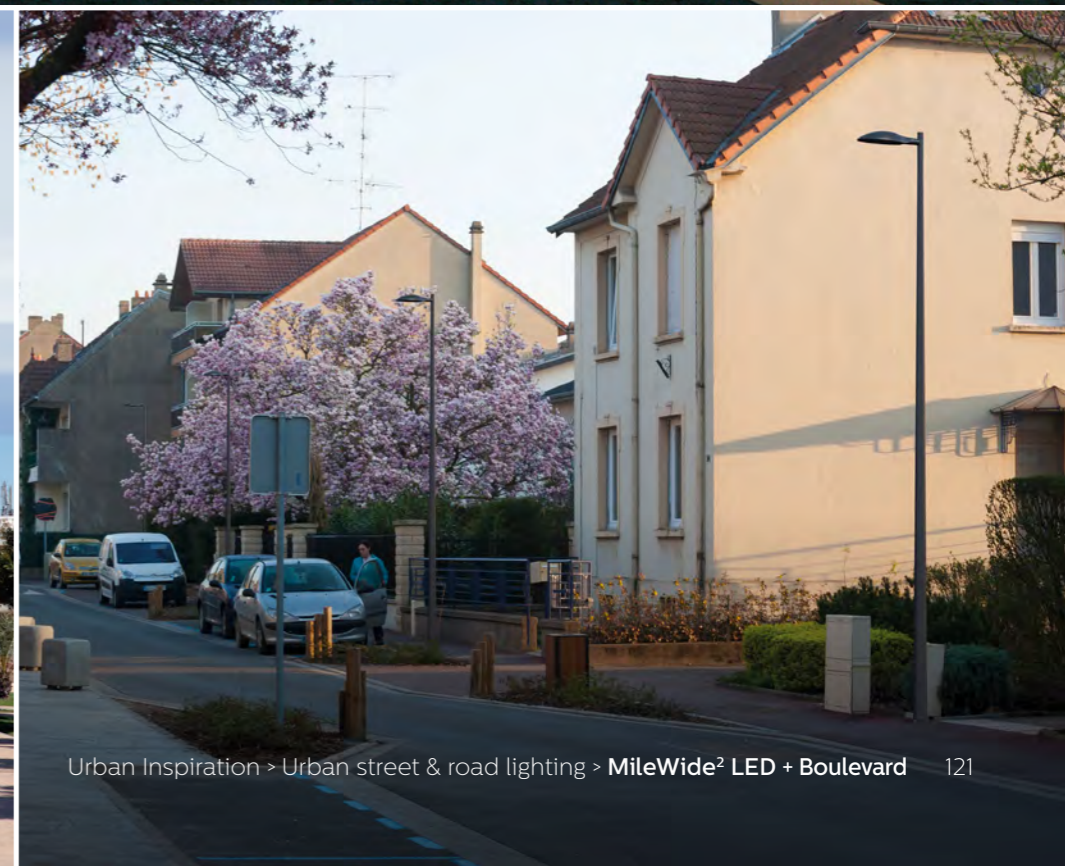
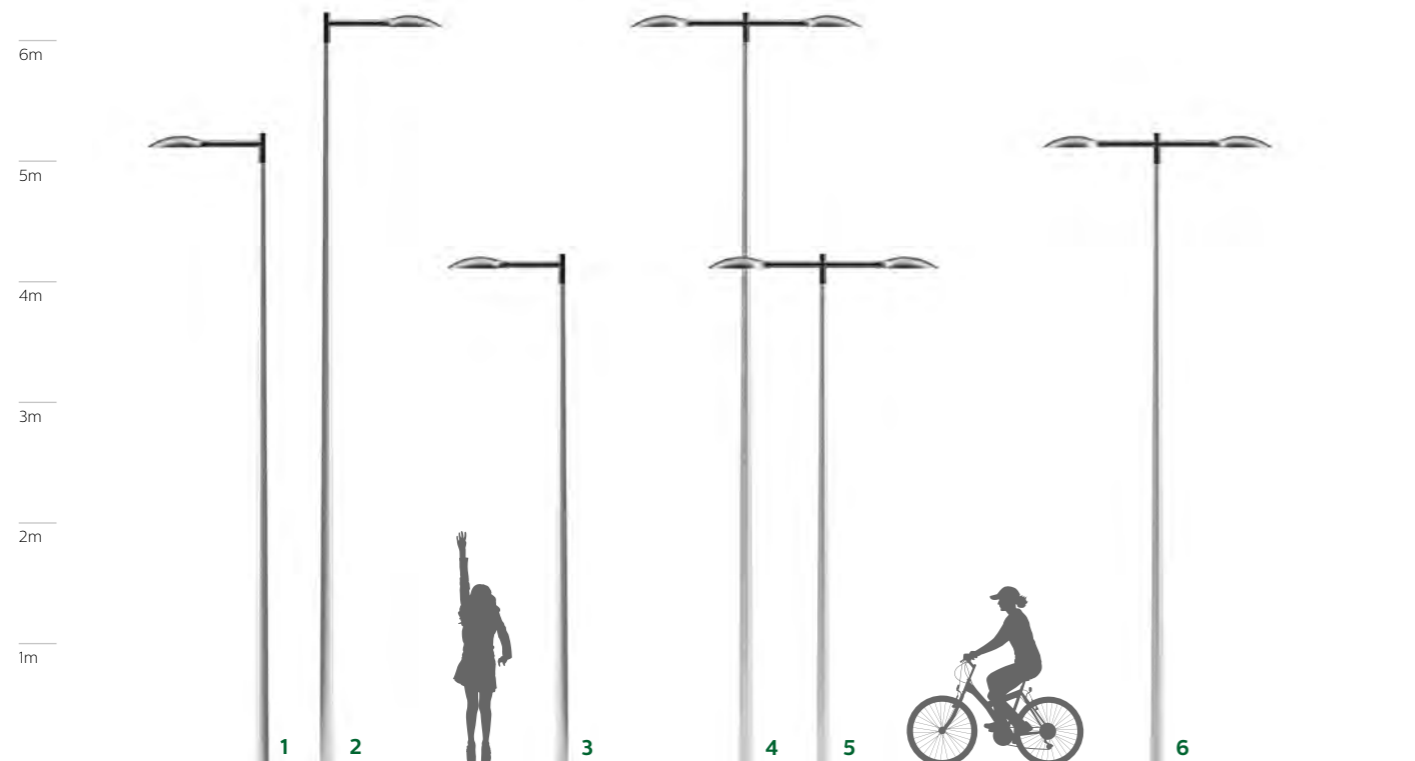
MileWide² LED + Boulevard

- Standard cast aluminium bracket on a natural or coloured anodised aluminium pole
- Sets with one or two luminaires, single or double bracket in several pole heights



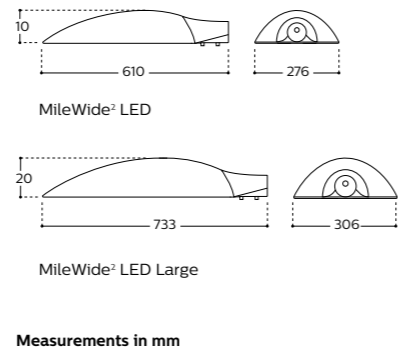
Complete sets

1-3. MileWide² LED + Boulevard pole with single bracket **2.** MileWide² LED Large + Boulevard pole with single bracket **4-6.** MileWide² LED Large + Boulevard pole with double bracket **5.** MileWide² LED + Boulevard pole with double bracket



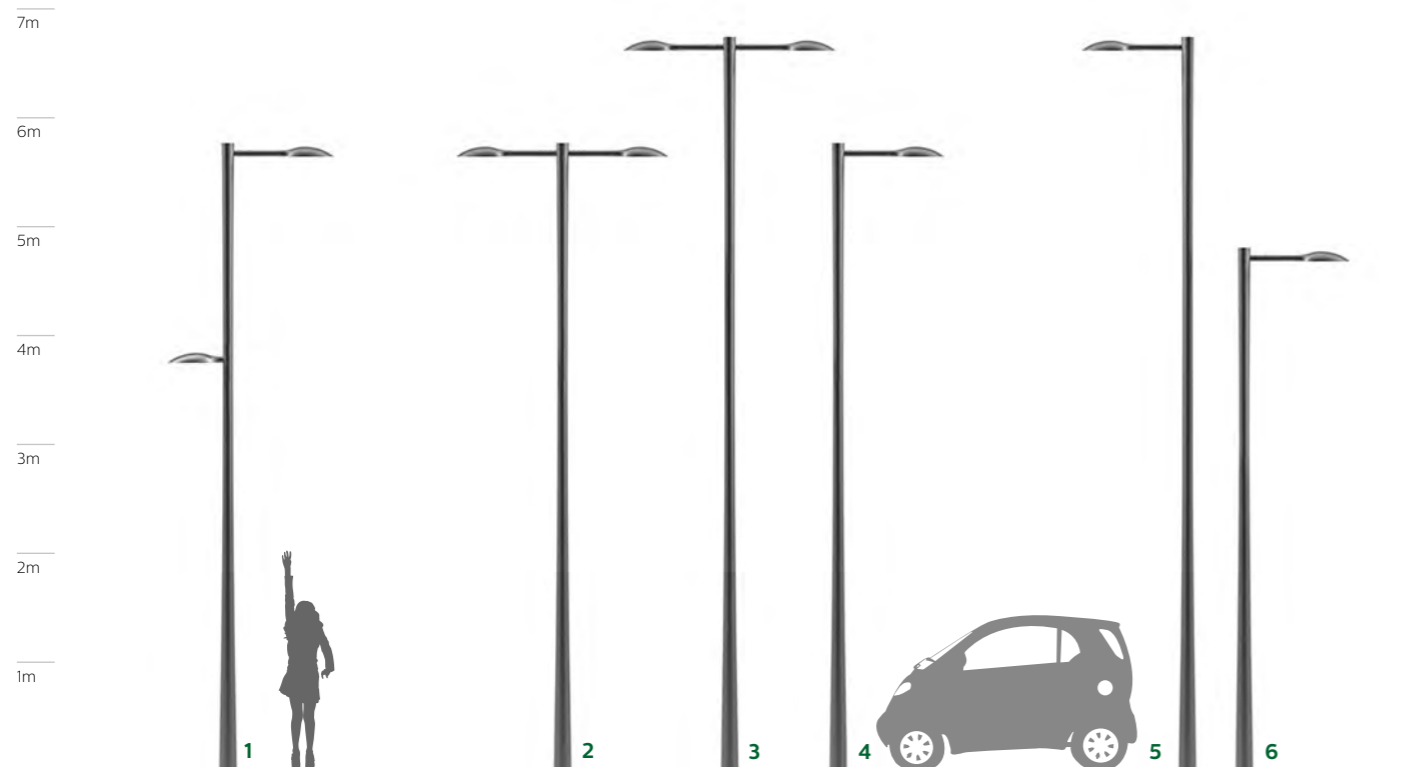
MileWide² LED + Slend

- Dedicated extruded aluminium bracket on an aluminium spun pole
- Sets with one or two luminaires, single, double or rear bracket in several pole heights



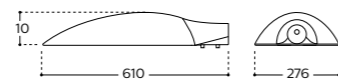
Complete sets

- 1.** MileWide² LED Large + Slend pole with single bracket + MileWide² LED + rear bracket **2.** MileWide² LED + Slend pole with double bracket **3.** MileWide² LED Large + Slend pole with double bracket **4-6.** MileWide² LED + Slend pole with single bracket **5.** MileWide² LED Large + Slend pole with single bracket

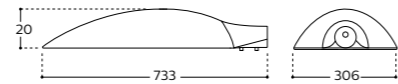


MileWide² LED + UrbanWave

- Standard extruded steel bracket
- Compatible with Accante conical pole in steel top Ø 60/62 mm
- Sets with one or two luminaires, single, double or rear bracket and wall mounted in different lengths and in several pole heights



MileWide² LED

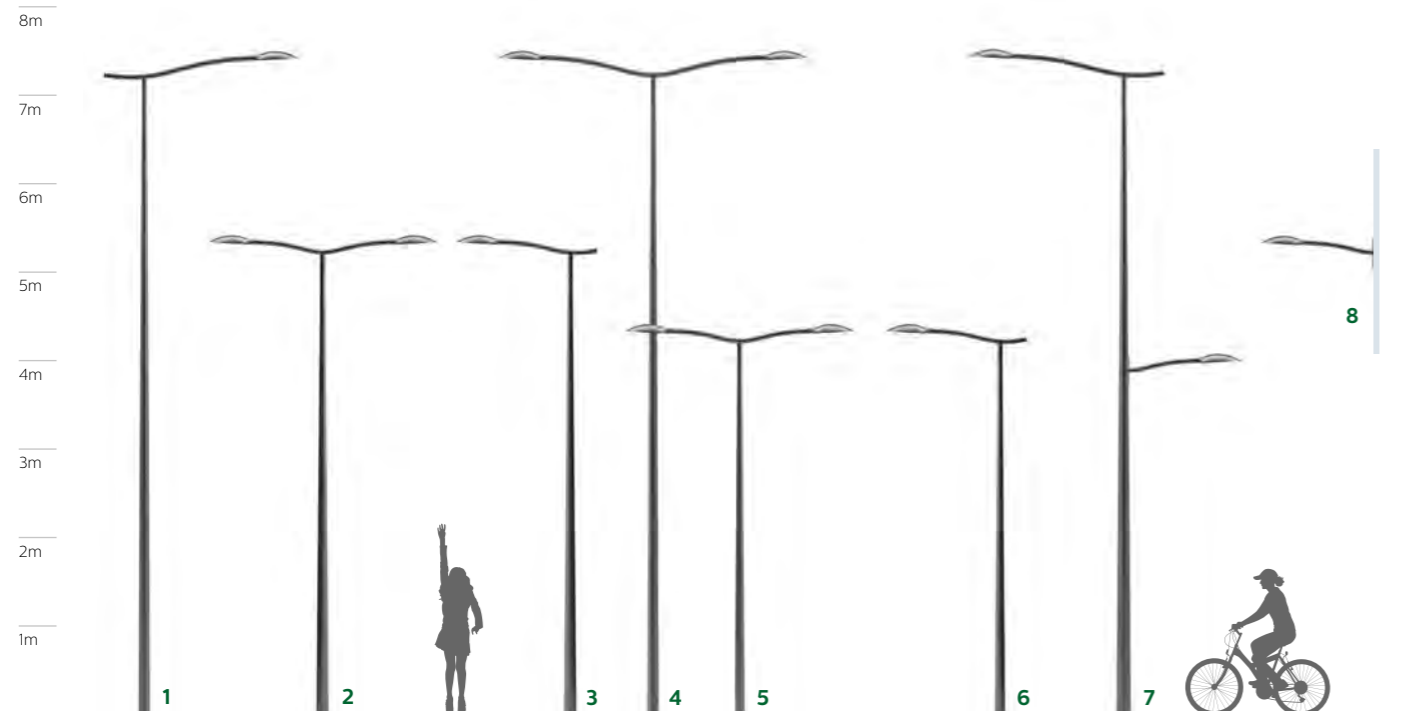


MileWide² LED Large

Measurements in mm

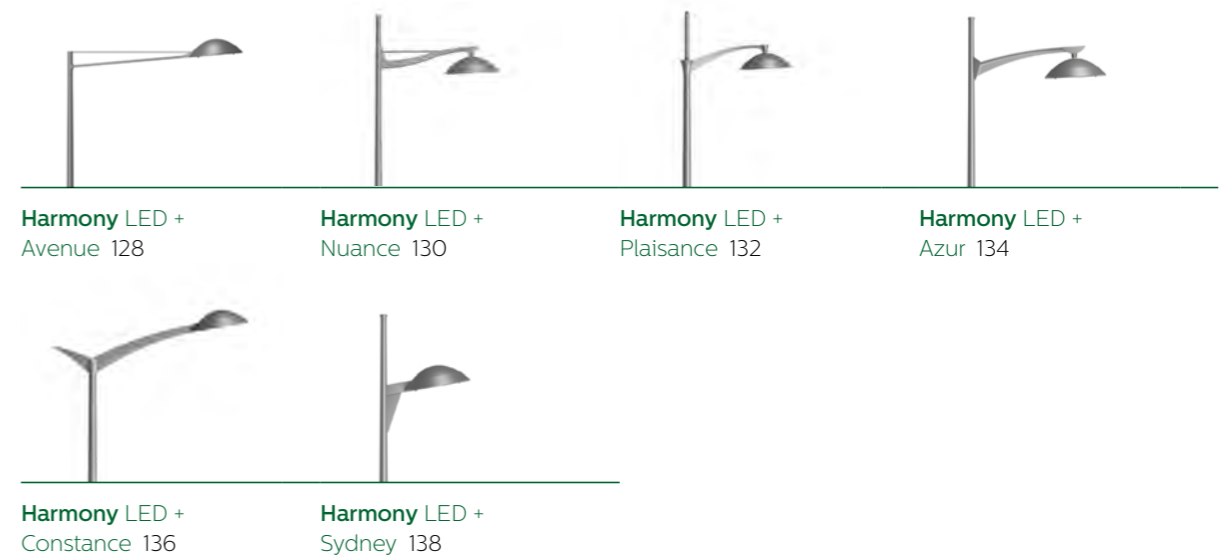
Complete sets

1. MileWide² LED Large + UrbanWave L1200 bracket + Accante pole **2-5.** MileWide² LED + UrbanWave L750 double bracket + Accante pole **3-6.** MileWide² LED + UrbanWave L750 bracket + Accante pole **4.** MileWide² LED Large + UrbanWave L1200 double bracket + Accante pole **7.** MileWide² LED Large + UrbanWave L1200 bracket + MileWide² LED + UrbanWave L750 rear bracket + Accante pole **8.** MileWide² LED + UrbanWave L750 wall bracket



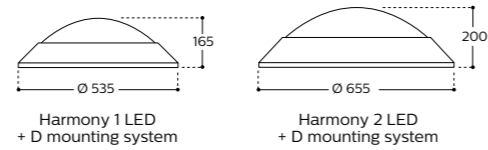
Harmony LED

Harmony LED is based on clean shapes, an accomplished modular construction and complementary optical systems, Harmony LED can be adapted to all environment styles and types of application. Available in two sizes designed for heights from 4 to 10 meters, the luminaire is ideally combined with several brackets and wall mounted solutions. Allowing you to compose varied, yet consistent installations. Harmony LED is the overall lighting solution for classic and contemporary urban settings, integrating the most advanced technologies in the field of photometric and mechanical engineering, as well as in respect of sustainability, safety and maintenance.

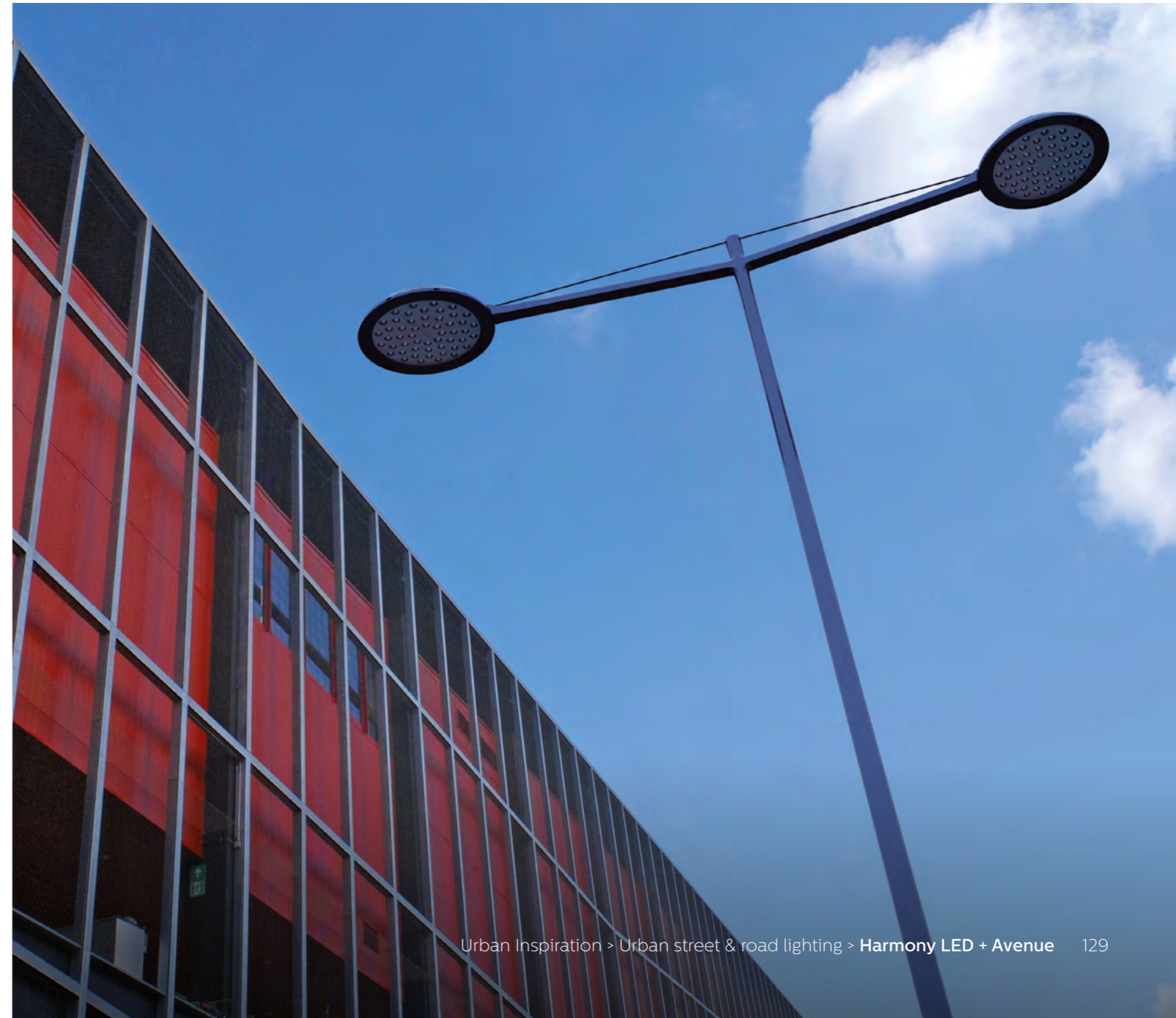


Harmony LED + Avenue

- Dedicated extruded cast aluminium bracket
- Compatible with Accante conical pole in steel (top Ø 60 and 62 mm)
- Sets with one or two luminaires, single, double or rear bracket and wall mounted in different lengths and several pole heights

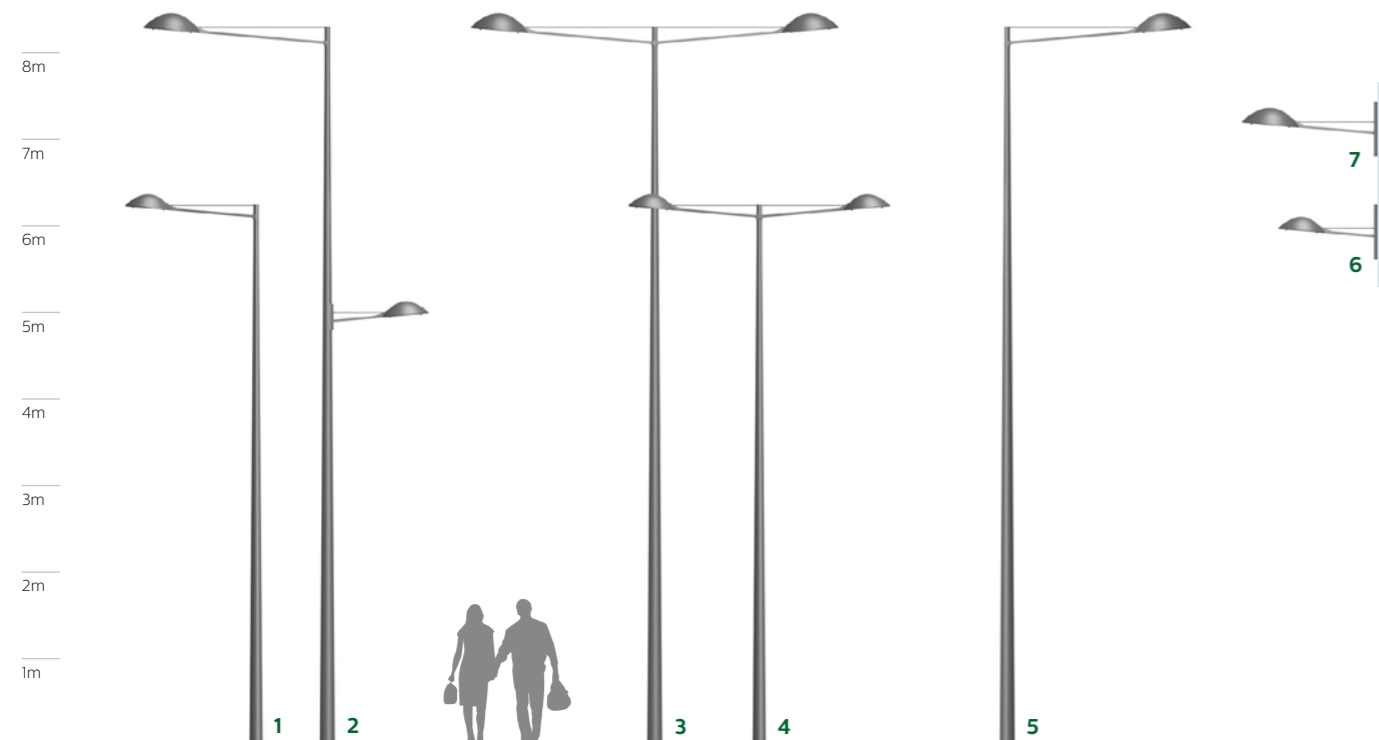


Measurements in mm



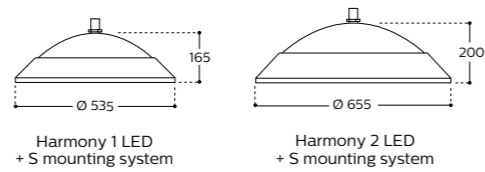
Complete sets

1-4. Harmony 1 LED + Avenue S1250 bracket + Accante pole **2.** Harmony 2 LED + Avenue S1800 bracket + Accante pole + Harmony 1 LED + Avenue S870 rear bracket **3-5.** Harmony 2 LED + Avenue S1800 bracket + Accante pole **6.** Harmony 1 LED + Avenue S870 wall bracket **7.** Harmony 2 LED + Avenue S1220 wall bracket



Harmony LED + Nuance

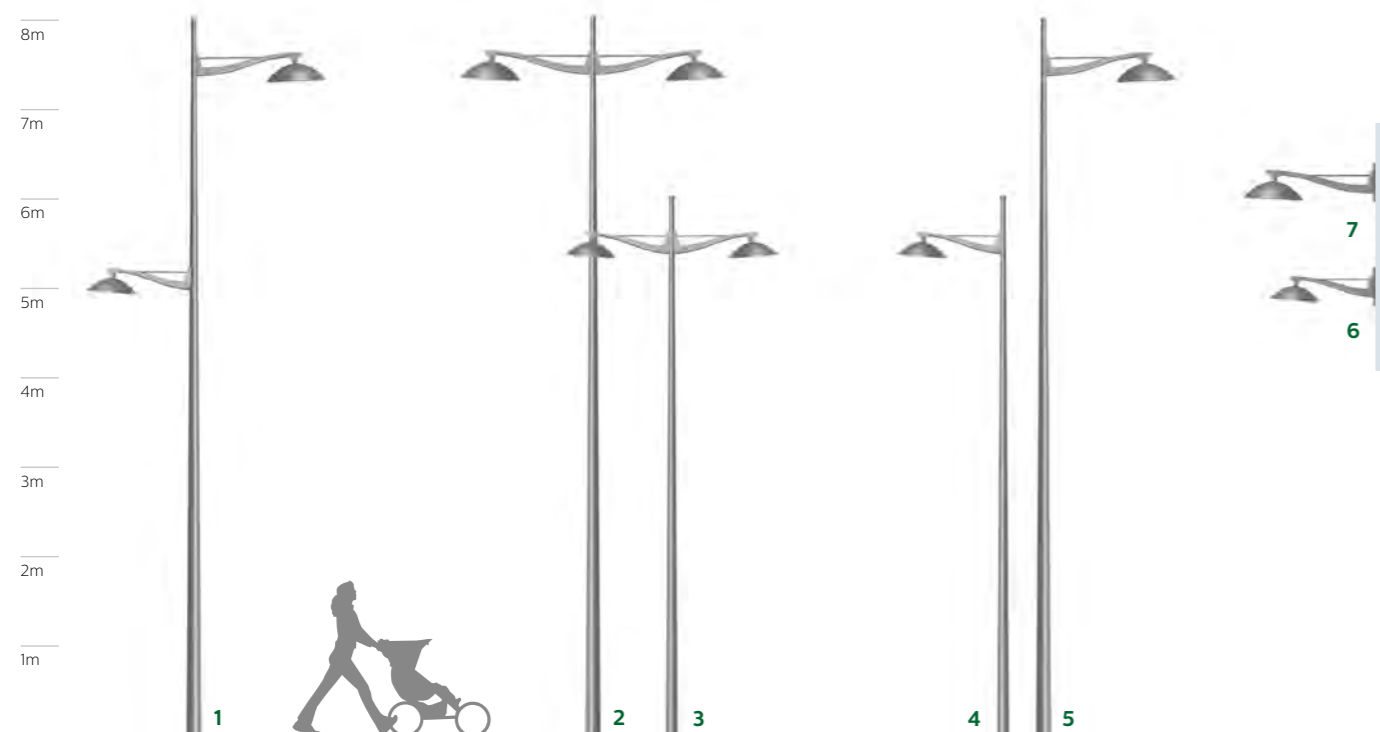
- Standard cast aluminium bracket
- Compatible with Accante conical pole in steel (top Ø 60, 62 or 76 mm)
- Sets with one or two luminaires, single or double, rear bracket and wall mounted in different lengths and several pole heights



Measurements in mm

Complete sets

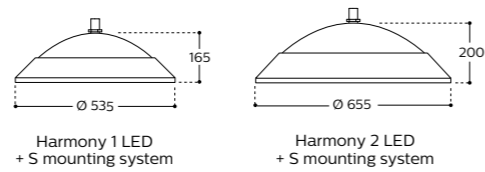
- 1.** Harmony 2 LED + Nuance bracket S1100 + Accante pole + Harmony 1 LED + Nuance S900 rear bracket **2-5.** Harmony 2 LED + Nuance S1100 bracket + Accante pole **3-4.** Harmony 1 LED + Nuance S900 bracket + Accante pole **6.** Harmony 1 LED + Nuance S900 wall bracket **7.** Harmony 2 LED + Nuance S1100 wall bracket



Harmony LED + Plaisance



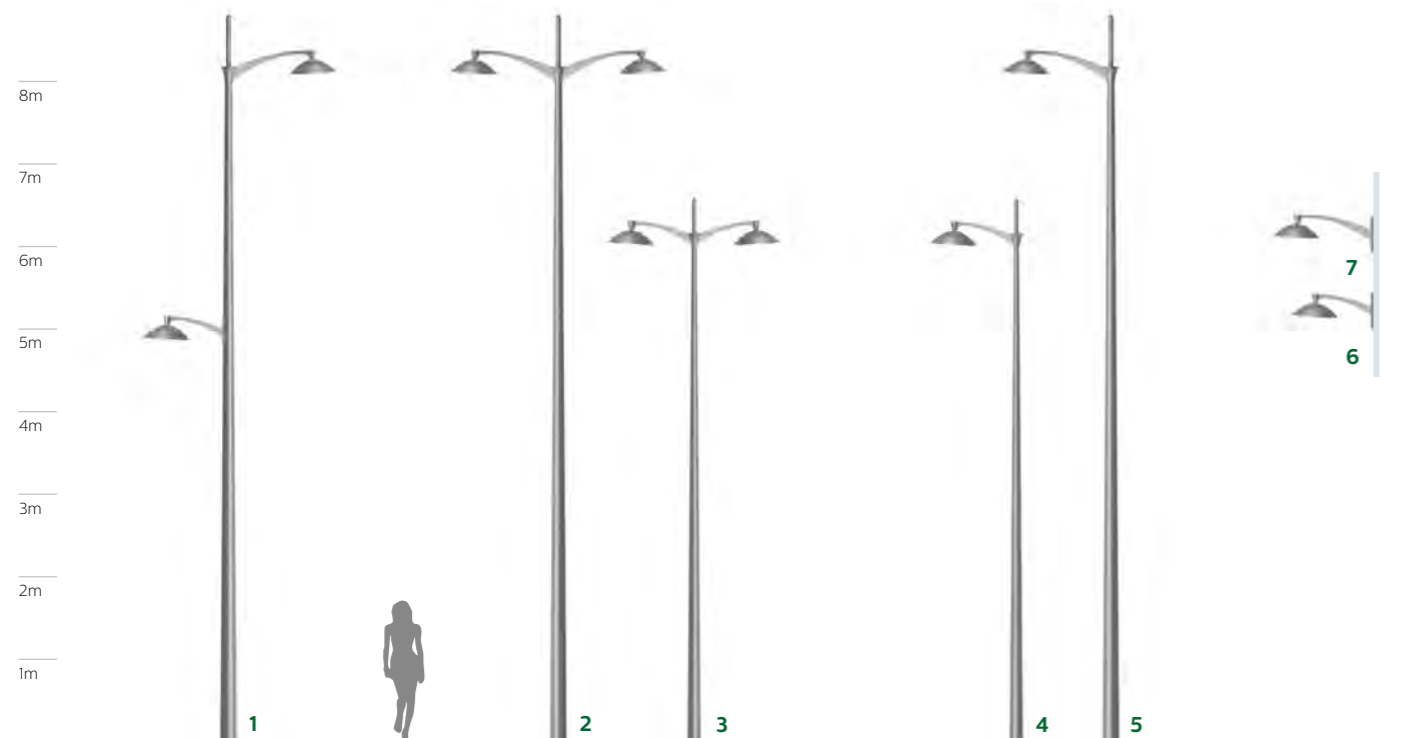
- Standard cast aluminium bracket
- Compatible with Accante conical pole in steel (top Ø 60, 62 or 89 mm) or Aloa conical pole in aluminium (top Ø 90 mm)
- Sets with one or two luminaires, single or double, rear bracket and wall mounted in different lengths and several pole heights



Measurements in mm

Complete sets

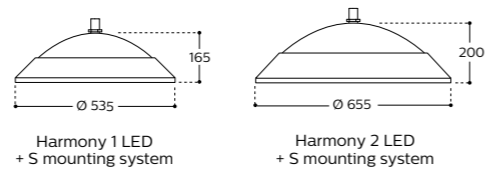
1. Harmony 2 LED + Plaisance S1000 bracket + Aloa/Accante pole + Harmony 1 LED + Plaisance S750 rear bracket **2-5.** Harmony 2 LED + Plaisance S1000 bracket + Aloa/Accante pole **3-4.** Harmony 1 LED + Plaisance S750 bracket + Aloa/Accante pole **6.** Harmony 1 LED + Plaisance S750 wall bracket **7.** Harmony 2 LED + Plaisance S1000 wall bracket



Harmony LED + Azur



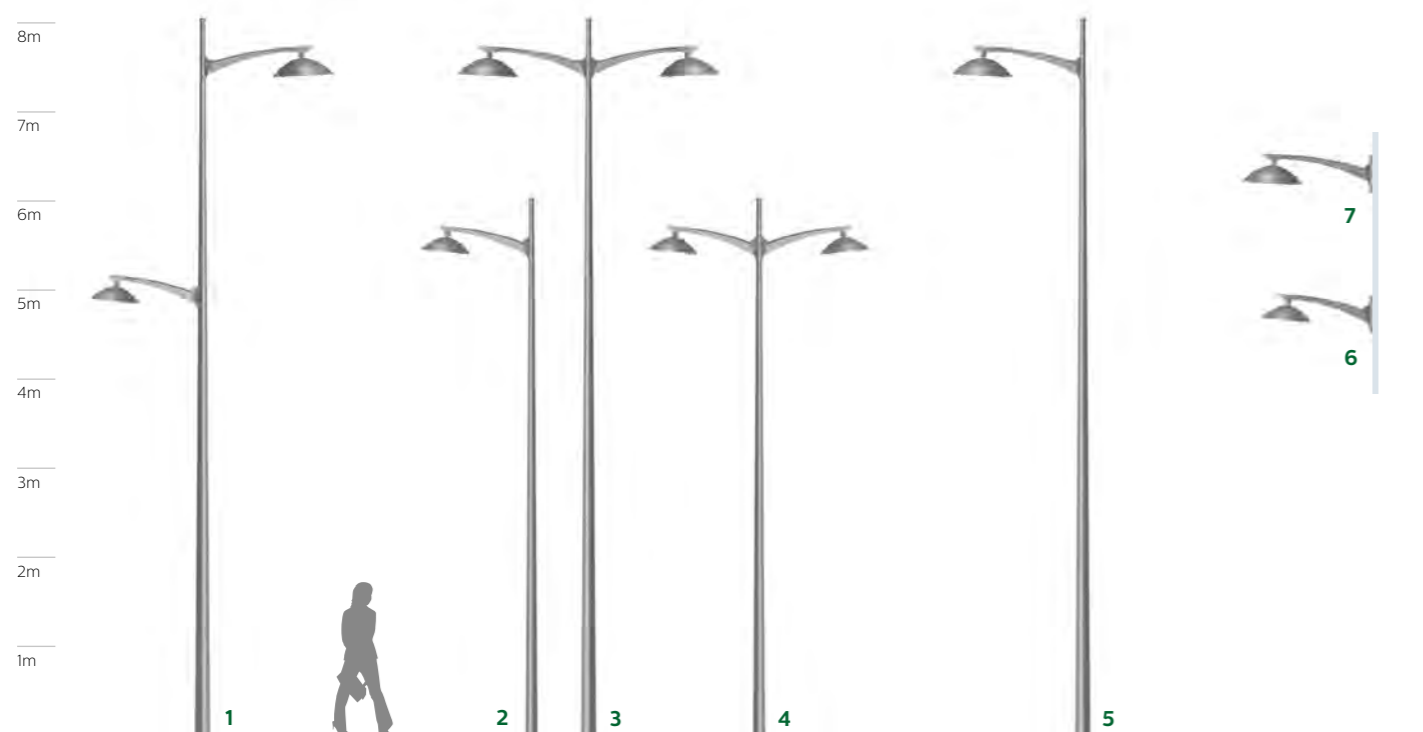
- Standard cast aluminium bracket
- Compatible with Accante conical pole in steel (top Ø 60, 62 or 76 mm)
- Sets with one or two luminaires, single, double or rear bracket and wall mounted in different lengths and several pole heights



Measurements in mm

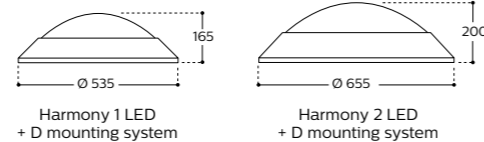
Complete sets

1. Harmony 2 LED + Azur S1100 brackets + Accante pole + Harmony 1 LED + Azur S1000 rear bracket **2-4.** Harmony 1 LED + Azur S1000 bracket + Accante pole **3-5.** Harmony 2 LED + Azur S1100 bracket + Accante pole **6.** Harmony 1 LED + Azur S1000 wall bracket **7.** Harmony 2 LED + Azur S1100 wall bracket



Harmony LED + Constance

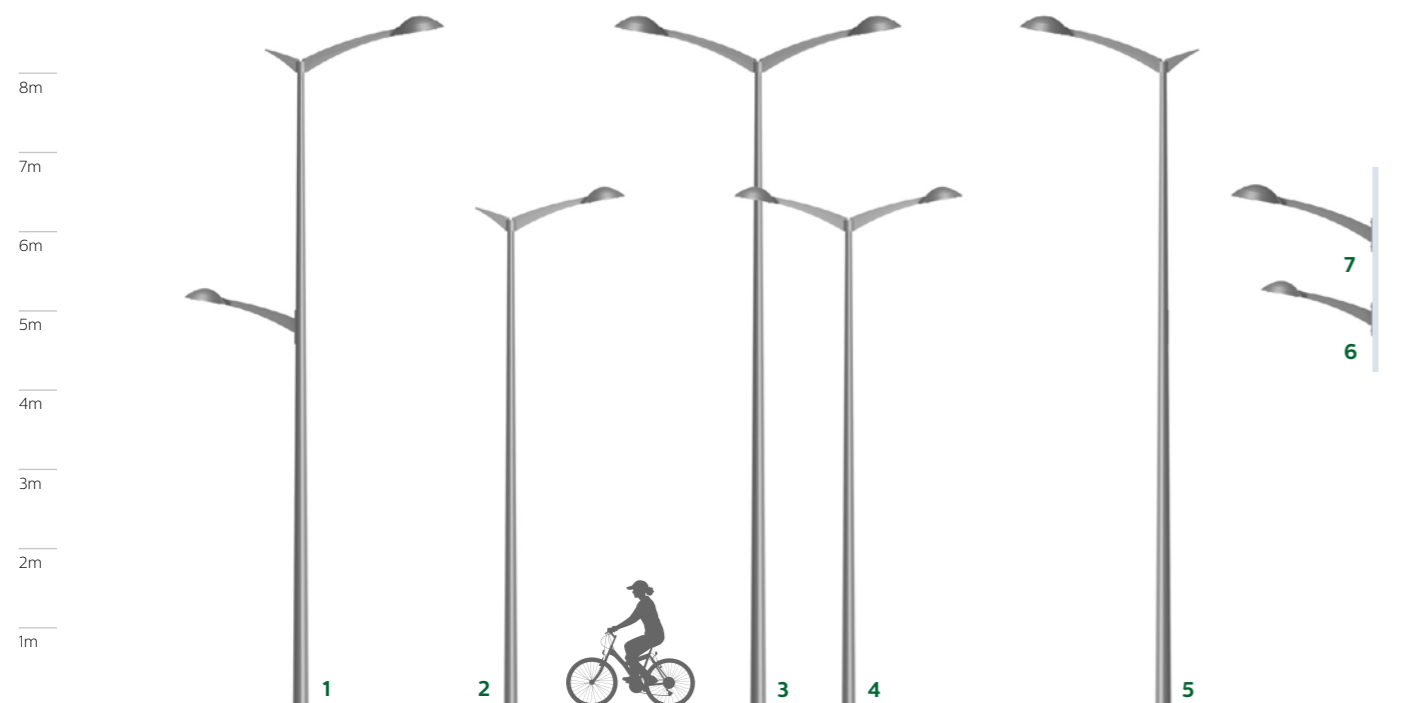
- Dedicated cast aluminium bracket
- Compatible with Accante conical pole in steel (top Ø 89 mm) or Aloa poles in aluminium (top Ø 90 mm)
- Sets with one or two luminaires, single or double, rear bracket and wall mounted in different lengths and several pole heights



Measurements in mm

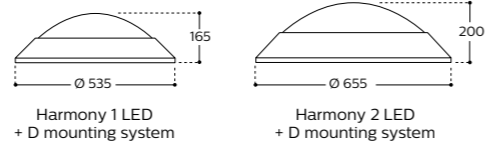
Complete sets

1. Harmony 2 LED + Constance S1500 bracket + Aloa/Accante pole + Harmony 1 LED + Constance S1200 rear bracket **2-4.** Harmony 1 LED + Constance S1200 bracket + Aloa/Accante pole **3-5.** Harmony 2 LED + Constance S1500 bracket + Aloa/Accante pole **6.** Harmony 1 LED + Constance S1200 wall bracket **7.** Harmony 2 LED + Constance S1500 wall bracket



Harmony LED + Sydney

- Dedicated cast aluminium bracket
- Compatible with Accante conical pole in steel (top Ø 60, 62 or 76 mm)
- Sets with one or two luminaires, single or double, rear bracket and wall mounted in different lengths and several pole heights



Measurements in mm



Complete sets

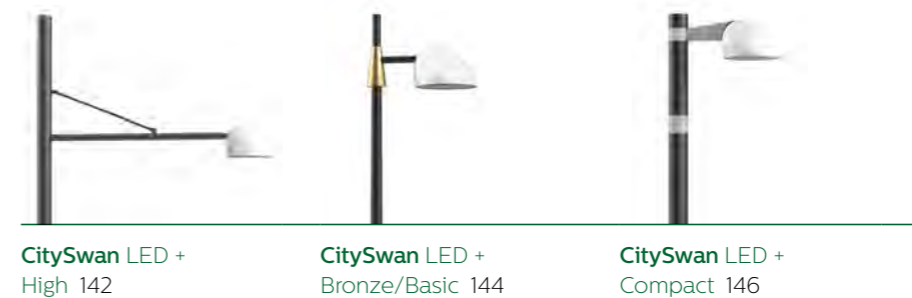
- 1.** Harmony 2 LED + Sydney S550 bracket + Accante pole + Harmony 1 LED + Sydney S450 rear bracket **2-4-5.** Harmony 1 LED + Sydney S450 bracket + Accante pole **3-6.** Harmony 2 LED + Sydney S550 bracket + Accante pole **7.** Harmony 1 LED + Sydney S450 wall bracket **8.** Harmony 2 LED + Sydney S550 wall bracket





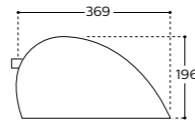
CitySwan LED

The swan has been the source of inspiration to this beautiful urban inspirational lighting luminaire. The simple shape, the few materials used and the clean lines makes CitySwan LED a discreet, yet visible part of the city environment. CitySwan LED is suitable for installation heights of 3.5 to 6 meters available in side-entry and suspended version. During the night CitySwan LED illuminates streets and roads with a soft and functional LED light. It is possible to create changing illumination situations and light moods for path or place marking, to emphasise local identities or give urban space an innovative setting.



CitySwan LED + High

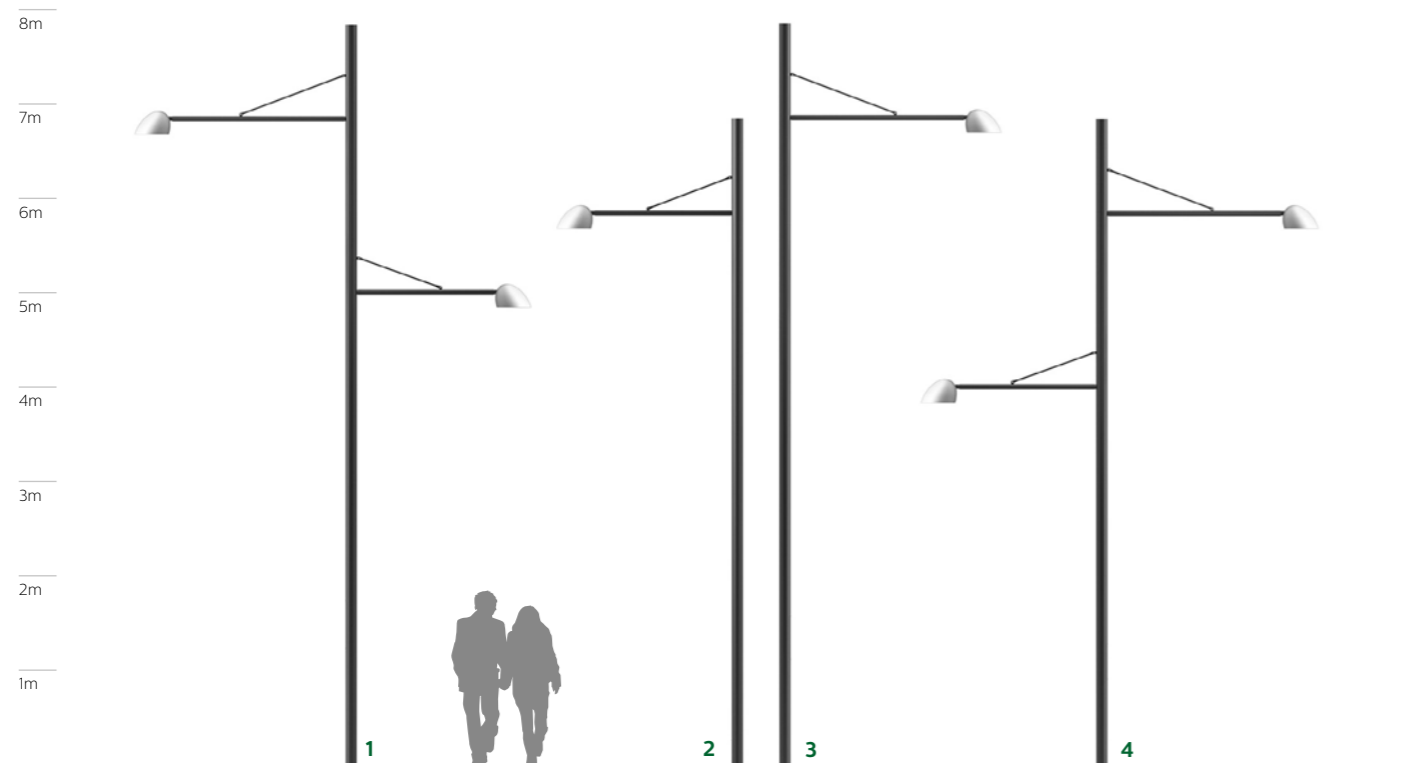
- Dedicated steel bracket on a steel pole
- Sets with one or two luminaires, single or double, rear bracket in different lengths and several pole heights
- High pole with bracket designed by Bjarne Schläger



Measurements in mm

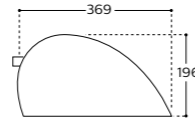
Complete sets

1-4. CitySwan LED + High S1900 bracket + High pole + CitySwan LED + High S1500 rear bracket **2.** CitySwan LED + High S1500 bracket + High pole **3.** CitySwan LED + High S1900 bracket + High pole



CitySwan LED + Bronze/Basic

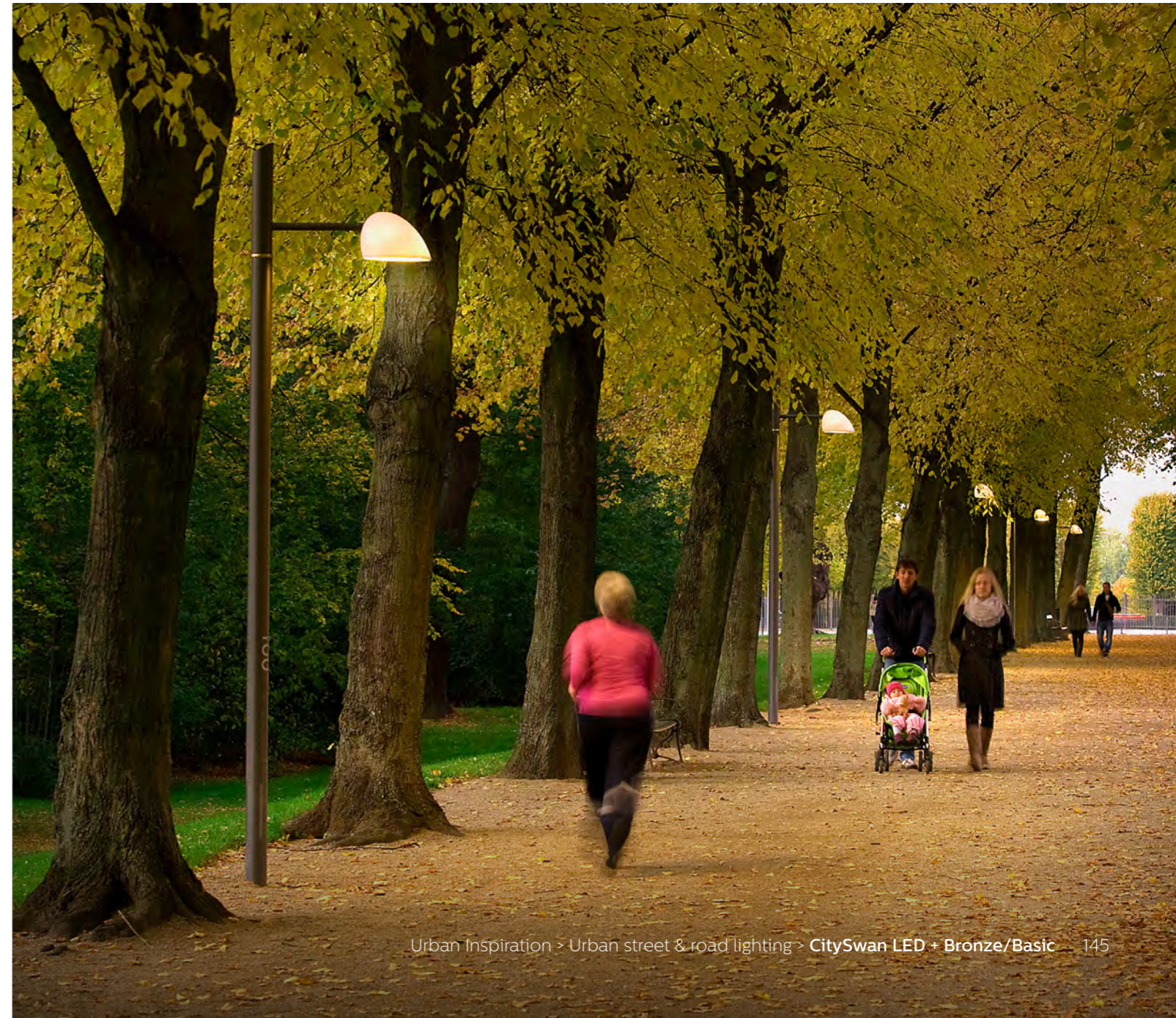
- Dedicated steel bracket with cast bronze decoration on a steel pole
- Dedicated wall mounted bracket in cast aluminium
- Sets with one or two luminaires, single or double, rear bracket and wall mounted in different lengths and several pole heights
- Bronze pole with bracket designed by Bjarne Schläger



Measurements in mm

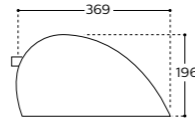
Complete sets

1-3-4. CitySwan LED + Bronze L250 bracket + Bronze conical pole **2.** CitySwan LED + Bronze L500 bracket + Bronze conical pole
5. CitySwan LED + Bronze L500/600/700 brackets + Bronze tubular pole **6-7-8.** CitySwan LED + Basic L300 bracket + Basic pole
9. CitySwan LED + CitySwan L700 wall bracket **10.** CitySwan LED + CitySwan L1300 wall bracket



CitySwan LED + Compact

- Dedicated steel bracket on a steel pole
- Sets with one or two luminaires in several pole heights



Measurements in mm

Complete sets

1-2-3-4-5-6-7. CitySwan LED + Compact pole with bracket





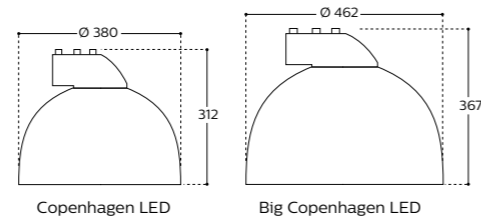
Copenhagen LED

Copenhagen LED was developed in cooperation with Copenhagen's Office of City Architecture to enhance the aesthetic appeal of the city's lighting. The result is a luminaire that can be used for a number of applications, from urban streets and roads to squares, while maintaining design consistency. Suitable for catenary as well as side-entry mounting. A choice of symmetrical or asymmetrical light distributions and a state-of-the-art LED technology, complete the specification of an extremely adaptable luminaire.



Copenhagen LED + Comores

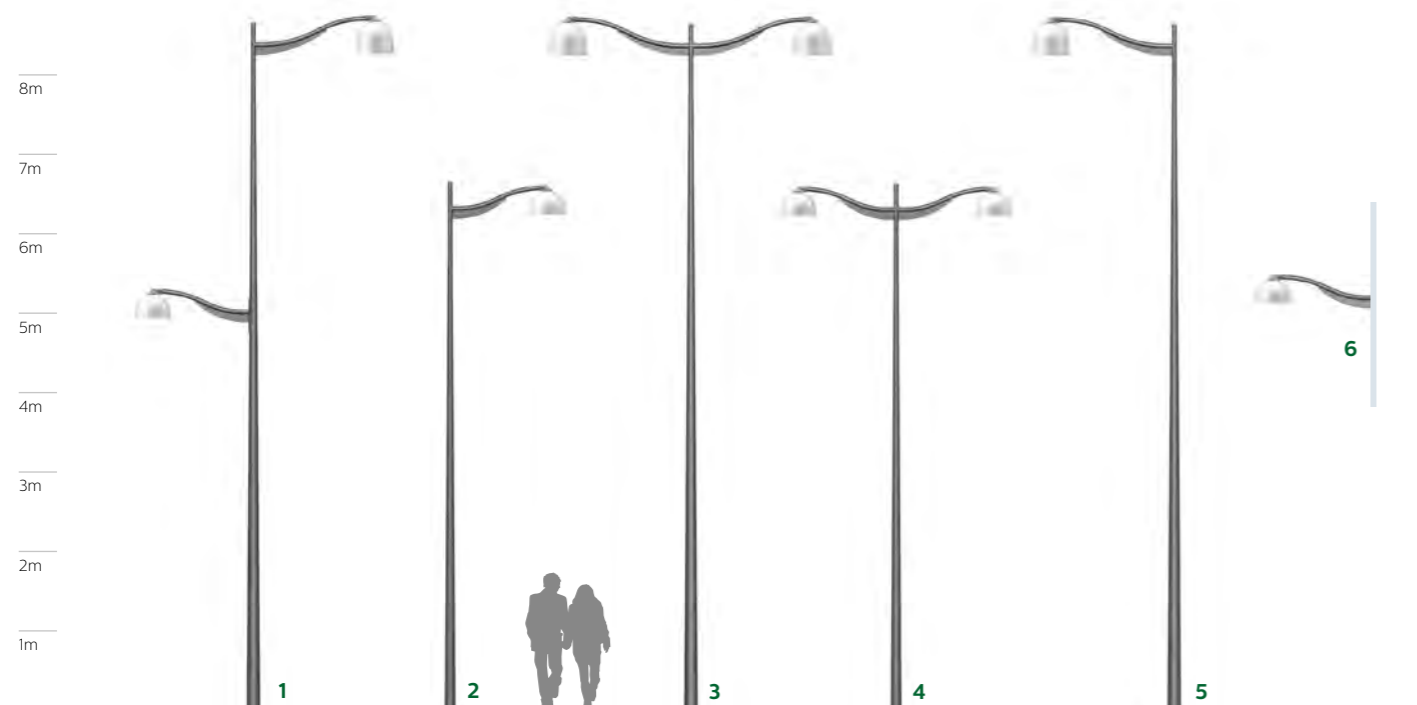
- Standard extruded steel bracket
- Compatible with Accante conical pole in steel (top Ø 60 or 62 mm)
- Sets with one or two luminaires, single or double, rear bracket and wall mounted in different lengths and several pole heights



Measurements in mm

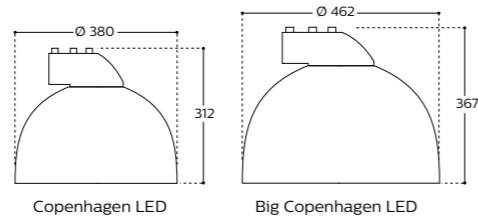
Complete sets

1. Big Copenhagen LED + Comores S1500 bracket + Accante pole + Copenhagen LED + Comores S1200 rear bracket **2-4.** Copenhagen LED + Comores S1200 bracket + Accante pole **3-5.** Big Copenhagen LED + Comores S1500 bracket + Accante pole **6.** Copenhagen LED + Comores S1200 wall bracket



Copenhagen LED + Caravelle low

- Standard extruded aluminium bracket
- Compatible with Accante conical pole in steel (top Ø 60 or 62 mm)
- Sets with one or two luminaires, single or double, rear bracket and wall mounted in different lengths and several pole heights



Measurements in mm

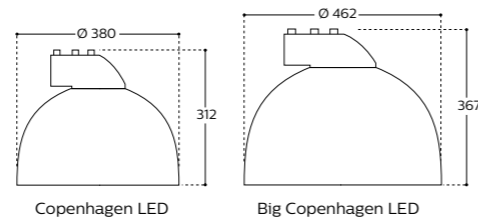
Complete sets

1. Big Copenhagen LED + Caravelle low L1400 bracket + Accante pole + Copenhagen LED + Caravelle low L1000 rear bracket
- 2-4. Copenhagen LED + Caravelle low L1000 bracket + Accante pole
- 3-5. Big Copenhagen LED + Caravelle low L1400 bracket + Accante pole
6. Copenhagen LED + Caravelle low L1000 wall bracket



Copenhagen LED + KS

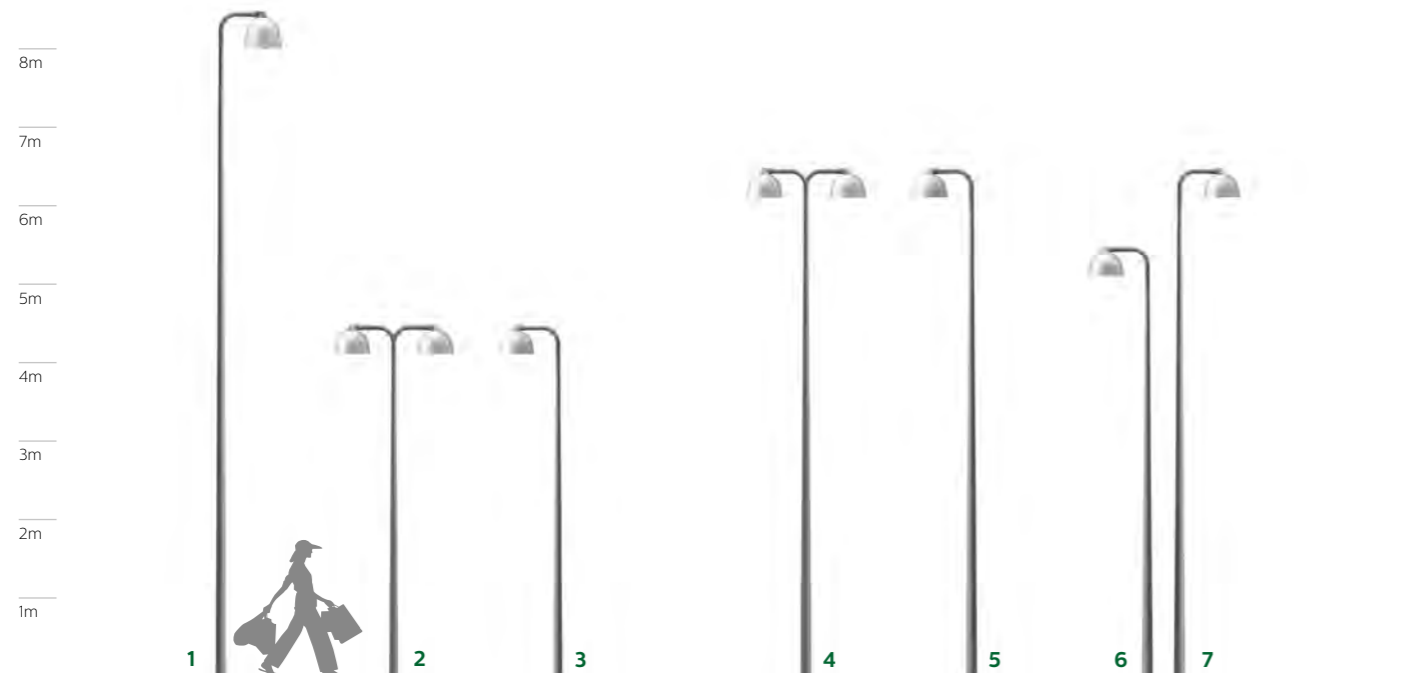
- Standard extruded steel bracket on a steel Accante conical pole top Ø 60 mm
- Sets with one or two luminaires, single or double bracket in different lengths and several pole heights



Measurements in mm

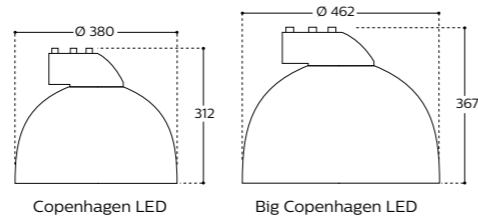
Complete sets

1. Big Copenhagen LED + KS single bracket + Accante pole 2-4. Copenhagen LED + KS double bracket + Accante pole 3-5-6-7. Copenhagen LED + KS single bracket + Accante pole



Copenhagen LED + KR

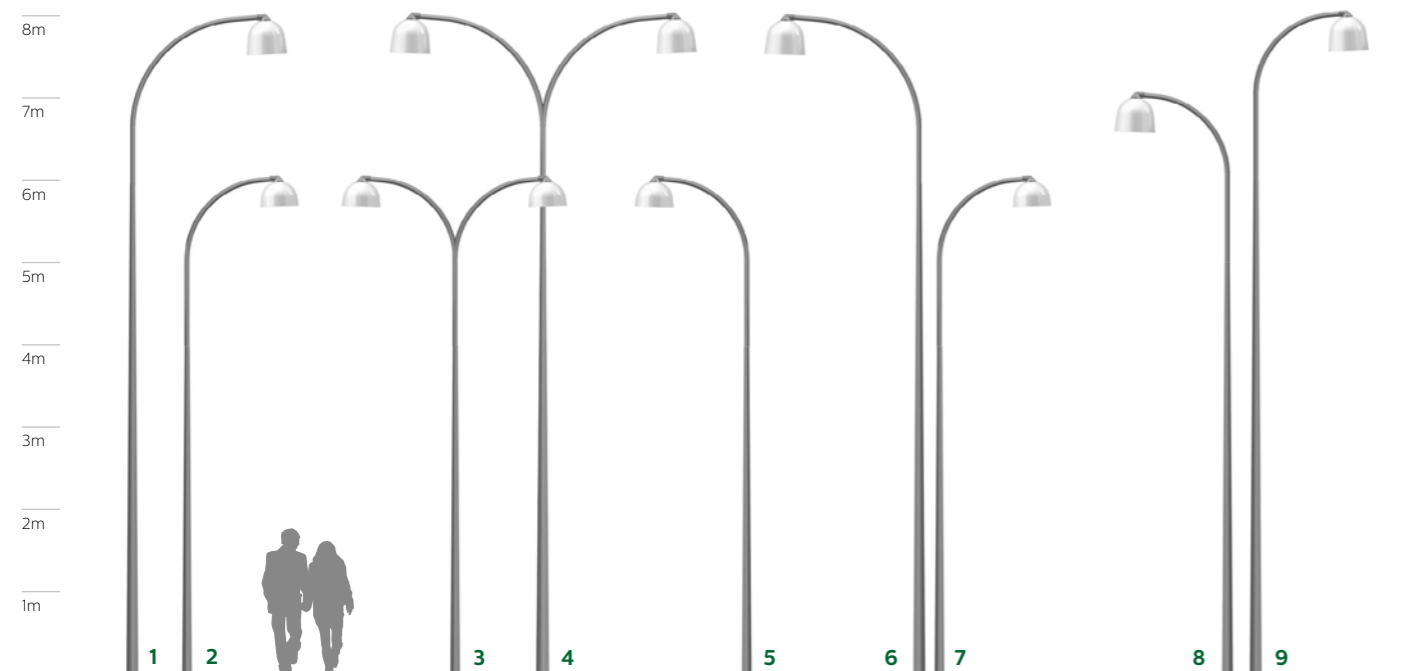
- Standard extruded steel bracket
- Compatible with Accante conical pole in steel (top Ø 60 or 62 mm)
- Sets with one or two luminaires, single or double bracket in different lengths and several pole heights



Measurements in mm

Complete sets

- 1-4-6.** Big Copenhagen LED + KR L1500 bracket + Accante pole
2-3-5-7. Copenhagen LED + KR L1000 bracket + Accante pole
8-9. Big Copenhagen LED + KR L1000 bracket + Accante pole





Harmony Classique LED

Harmony Classique LED draws its inspiration from the street lamps of the beginning of the 20th century, which were combined with a conical bowl and a suspended canopy. Harmony Classique LED gives versatility, both in terms of supporting brackets and poles as in accessories and optics.

Harmony Classique LED is designed for top lyre mounting or suspended mounting. Designed for heights of 4-8 meters, it is ideal for lighting village and city centres, urban main roads, side streets, pedestrian areas and traffic squares.



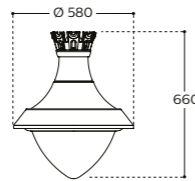
Harmony Classique LED
+ Solis 160

Harmony Classique LED
+ Notre-Dame 162

Harmony Classique LED + Solis



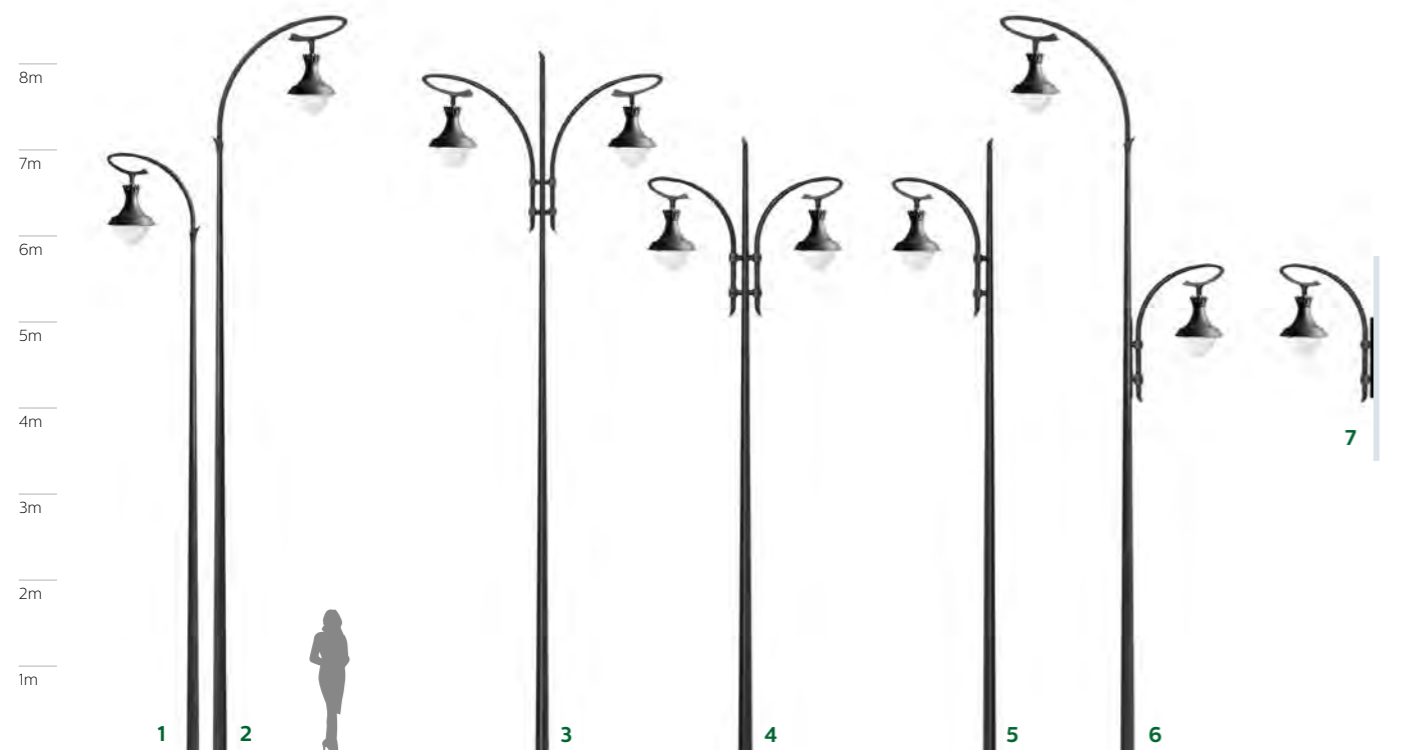
- Standard extruded cast aluminium bracket
- Compatible with Accante conical poles in steel (top Ø 60 and 62 mm)
- Sets with one or two luminaires, single or double bracket and wall mounted in different lengths and several pole heights



Measurements in mm

Complete sets

1. Harmony Classique LED + Solis S700 Top tenon 60 bracket + Accante pole **2.** Harmony Classique LED + Solis S1100 Top tenon 60 bracket + Accante pole **3.** Harmony Classique LED + Solis S1100 staggered bracket + Accante pole **4-5.** Harmony Classique LED + Solis S700 staggered bracket + Accante pole **6.** Harmony Classique LED + Solis S1100 Top tenon 60 bracket + Accante pole + Harmony Classique LED + Solis S700 rear bracket **7.** Harmony Classique LED + Solis S700 wall bracket



160 Urban Inspiration > Urban street & road lighting > Harmony Classique LED + Solis

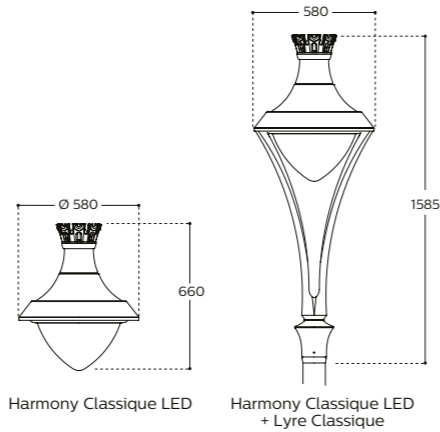


Urban Inspiration > Urban street & road lighting > Harmony Classique LED + Solis 161

Harmony Classique LED + Notre-Dame



- Standard cast aluminium bracket
- Compatible with Accante conical pole in steel (top Ø 89 mm) and Alteo stepped pole in aluminium with classical accessory
- Sets with one or two luminaires, single or double bracket and wall mounted in different lengths heights and several pole heights



Harmony Classique LED

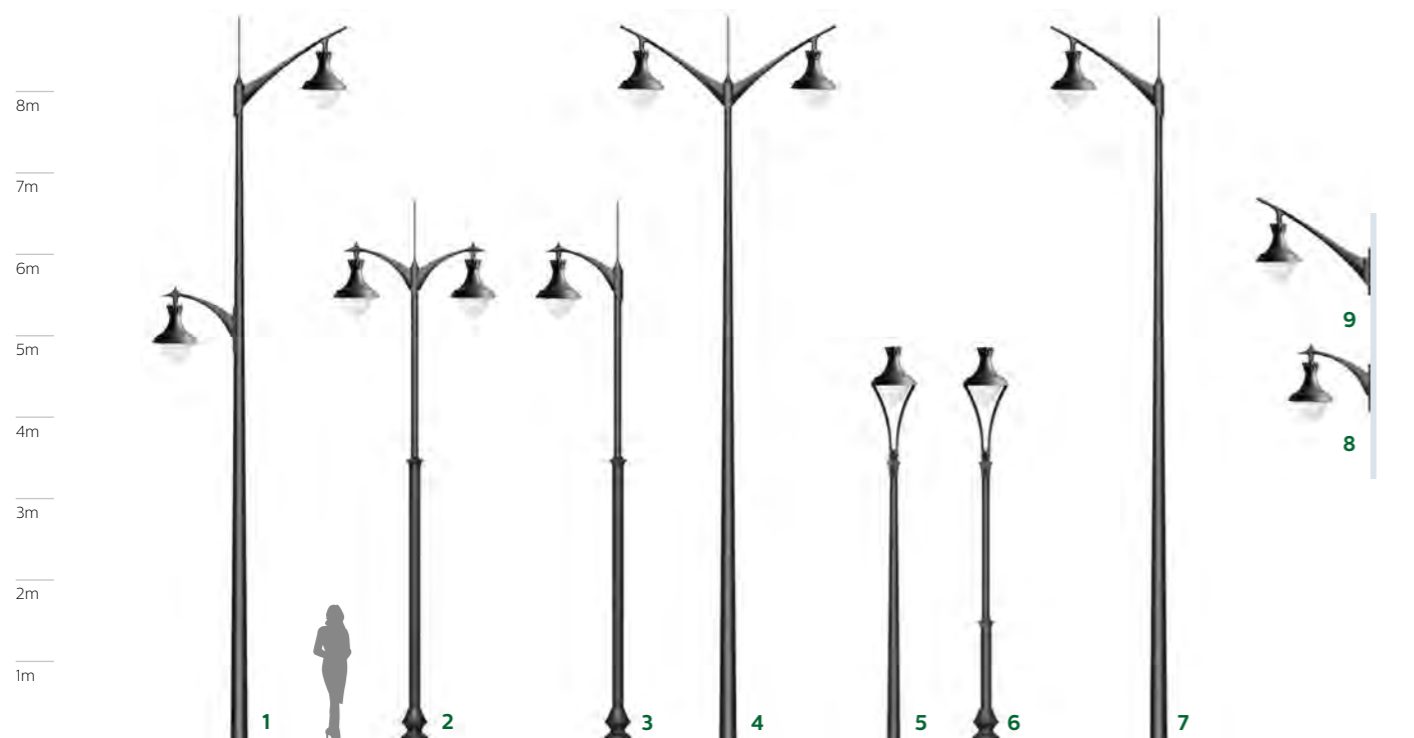
Harmony Classique LED + Lyre Classique

Measurements in mm



Complete sets

1. Harmony Classique LED + Notre-Dame S1050 bracket + Accante pole + Harmony Classique LED + Notre-Dame S730 rear bracket
 2-3. Harmony Classique LED + Notre-Dame S730 bracket + Alteo pole with classical accessory 4-7. Harmony Classique + Notre-Dame S1050 bracket + Accante pole 5. Harmony Classique LED + Lyre Classique + Accante pole 6. Harmony Classique LED + Lyre Classique + Alteo pole with classical accessory 8. Harmony Classique LED + Notre-Dame S730 wall bracket 9. Harmony Classique LED + Notre-Dame S1050 wall bracket



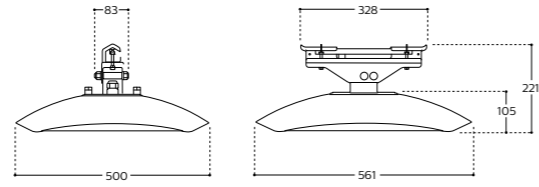
UrbanSky

UrbanSky is the first dedicated catenary luminaire to bring together state-of-the-art LED technology and innovative design. It is a prime example of how high-quality LED light and ground-breaking design can increase safety and comfort, with particular emphasis on optical guidance. Co-developed with Austrian design studio podpod design, UrbanSky is a contemporary and future-proof solution that will enhance any city's identity. Its LEDGINE module offers significant energy savings, while its neutral-white light and good colour rendering create a relaxed lighting mood and increase safety. Multi-layer optics provide a uniform light distribution with reduced glare, allowing direct replacement of HID solutions without compromising on spacing, mounting height or light quality. UrbanSky is serviceable without use of tools, enabling upgrades of the LED board in future.

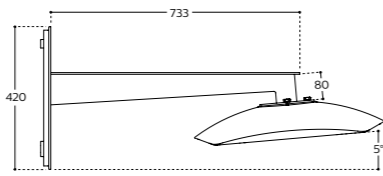


UrbanSky

- Installation height 5 to 8 m
- Innovative design that increases visual guidance
- Energy-efficient and reduction of CO₂ emissions
- Easy serviceable and upgradeable
- First catenary system equipped with LEDGINE
- Catenary luminaire system to emphasize optical guidance
- Different optics available – suitable for a wide range of applications



UrbanSky suspended

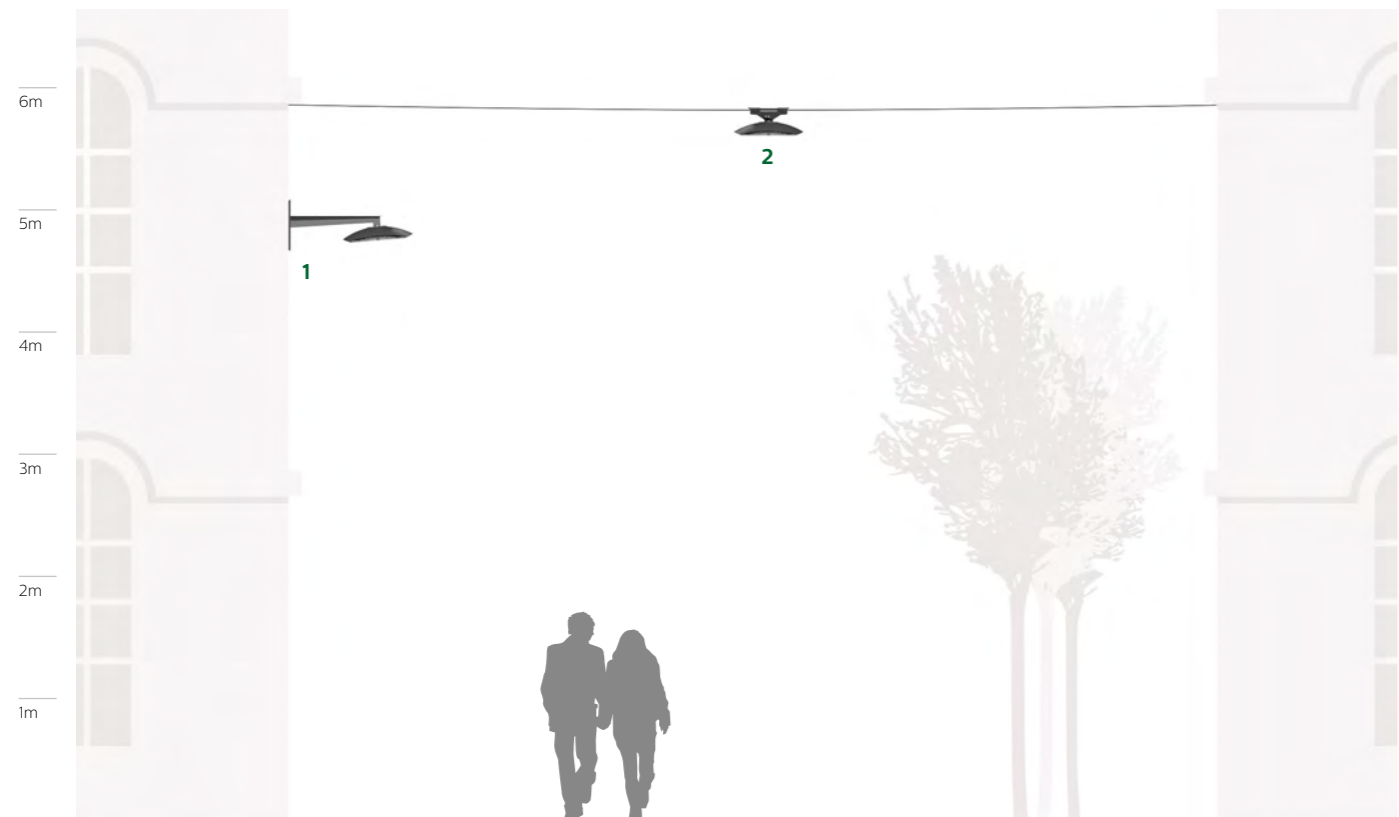


UrbanSky wall bracket

Measurements in mm

Complete sets

1. UrbanSky + UrbanSky wall bracket
2. UrbanSky





FreeStreet

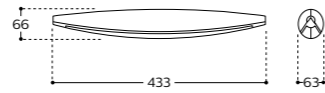
More and more municipalities want their urban spaces to be attractive, spacious and safe. But in our expanding towns and cities we see streets and pedestrian zones that, over time, have become crowded with all kinds of disparate elements – e.g. signage, light poles, outdoor advertising, street furniture – making them appear cluttered, restless and uninviting. Wouldn't it be great to regain public space and improve the accessibility and appearance of our streets?

Practically invisible, our FreeStreet suspended lighting system represents a completely new vision of public lighting. Small, stable and lightweight, this state-of-the-art catenary LED solution delivers excellent lighting while blending in seamlessly with the look and feel of the area, making our streets and pedestrian precincts much more welcoming and accessible. FreeStreet is only available as a turnkey project solution. Please contact your Philips representative for more information.



FreeStreet

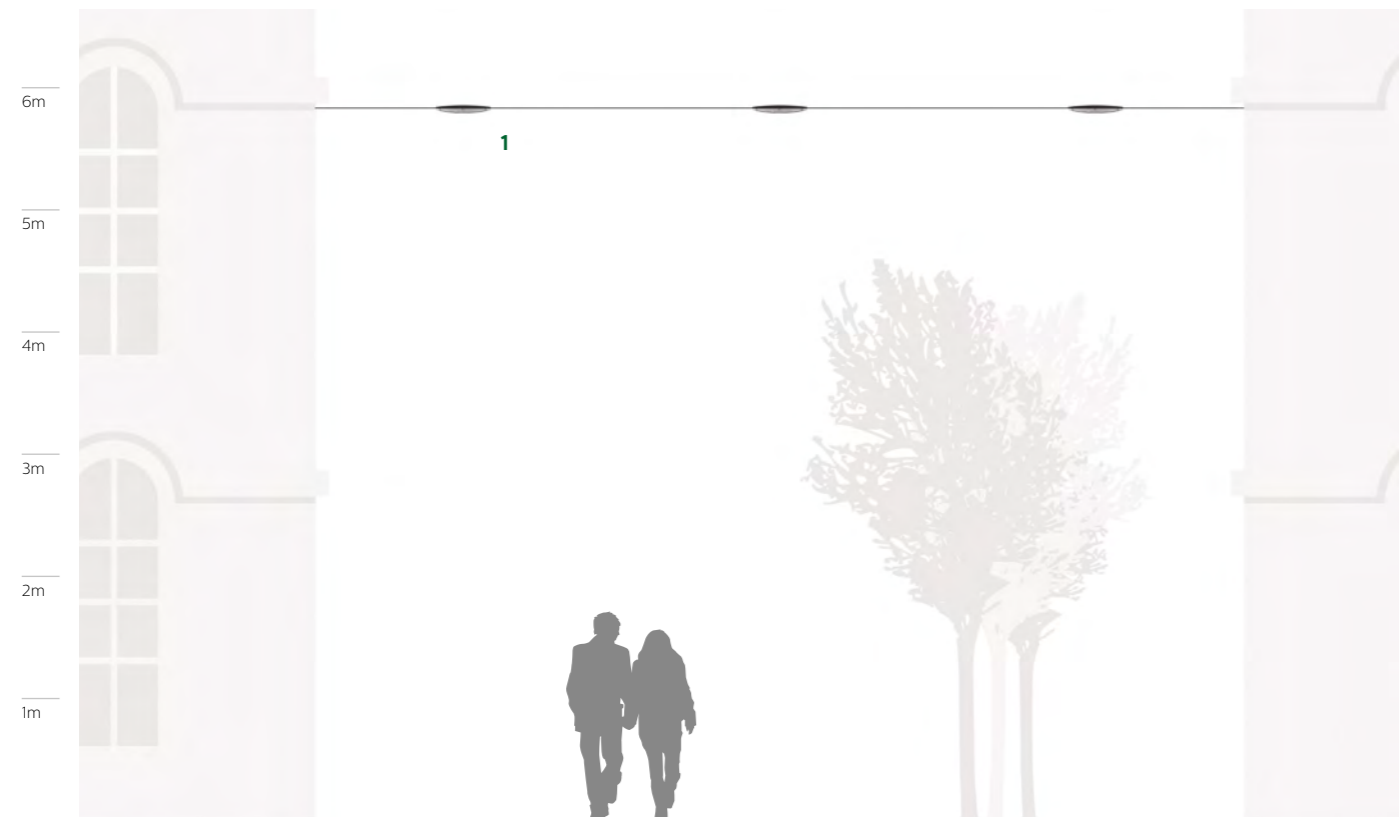
- Installation height 6 to 8 m
- Design freedom to interact with the urban environment
- Physical and aesthetic de-cluttering: practically invisible during the day, and creating space to move
- One catenary cable for both suspension and mains power supply
- Extremely uniform light distribution
- Energy efficiency and reduction of CO₂ emissions



Measurements in mm

Complete sets

1. FreeStreet





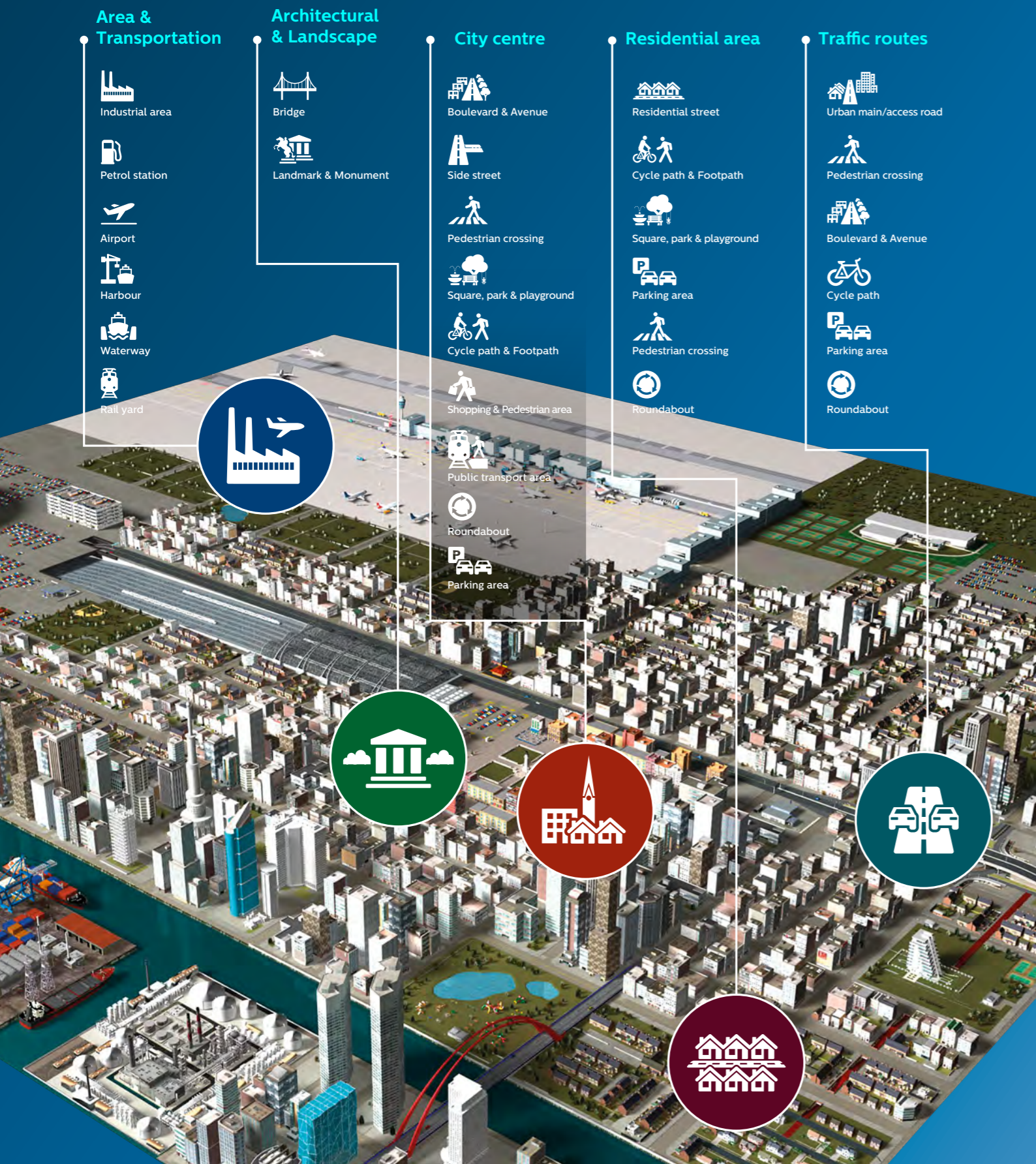
Urban Functional

Our Urban Functional lighting range combines functional lighting needs for primarily traffic, living and being functions with design to provide comfort, orientation and safety, both to pedestrians and drivers.

It can easily be extended towards a more decorative complete lighting point solution for urban areas, streets and roads to give daytime and night time appearance to lighting points and cities their own identity.



Our Urban Functional lighting solutions are developed for more task driven requirements for drivers and pedestrians like guidance, orientation, safety, recognition and social security. For every application in the city we do have several solutions to fulfill the functional aspects of lighting, but we can add some enhancement to it by creating complete lighting sets with these functional luminaires.



Urban Functional

Urban area & street lighting 178

Lighting in city centres, streets and residential areas plays a critical role in the way a city operates and feels. Our functional lighting solutions for urban streets and areas incorporate primarily living or being elements, and less dominant traffic functions. These functions are necessary criteria in sustainable energy efficient lighting that contribute significantly to improve the safety, the environment and the comfort of city centres, urban streets and residential areas. These lighting solutions, suitable for installation heights up to 8 meters, can be combined with complete sets of poles and brackets from our standard pole and bracket portfolio to give it a more decorative look.

Urban road lighting 194

With the increasing traffic densities in our communities, urban functional road lighting has become of major importance to guarantee traffic participants a safe journey. Our functional lighting solutions for urban roads incorporate primarily traffic functions that offer guidance and orientation, in a way that traffic safety for all participants is secured, mainly by having perfect glare control, white colour rendering and uniformity quality up to all relevant standards. At the same time maximization of pole spacings are targeted by designing high performance optics, to match various lighting classes and road geometries for basic urban roads in and around cities. These lighting solutions, suitable for installation heights from 8 to 12 meters, can be combined with complete sets of poles and brackets from our standard pole and bracket portfolio to give it a more decorative look.

Urban Functional

Poles and brackets

Our Urban Functional lighting solutions can easily be extended towards a more decorative complete lighting point solution for urban areas, streets and roads to give daytime and night time appearance to complete lighting points and cities their own identity.



Urban area & street lighting

Urban road lighting

Urban area & street lighting

Lighting in city centres, streets and residential areas plays a critical role in the way a city operates and feels. Our functional lighting solutions for urban streets and areas incorporate primarily living or being elements, and less dominant traffic functions. These functions are necessary criteria in sustainable energy efficient lighting that contribute significantly to improve the safety, the environment and the comfort of city centres, urban streets and residential areas.

These lighting solutions, suitable for installation heights up to 8 meters, can be combined with complete sets of poles and brackets from our standard pole and bracket portfolio to give it a more decorative look.



Urban area & street lighting



Stela+ gen2
180



TownGuide Performer
190



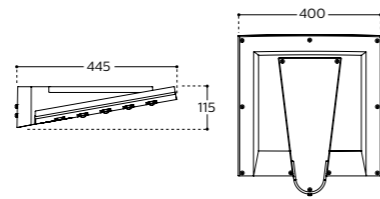
Stela+ gen2

In 2008 the arrival of the Stela family heralded a revolution in street lighting. In Stela+ gen2 we are now presenting the next generation of LEDs and introducing programmable drivers. Stela has its own unique identity designed for a new era in lighting. The range especially covers the city centre and residential area applications and consists of the post-top versions Stela Square and Stela Wide, the post-top / side-entry version Stela Long and the symmetrical round post-top Stela Round.



Stela+ gen2 Square

- Installation height 4 to 6 m
- Energy saving LED solution
- Suitable for post-top mounting \varnothing 60 mm and \varnothing 76 mm
- Several standard lumen packages available, offering a wide range of lighting solutions
- Several optics available for different street geometries
- Suitable for residential, pedestrian and shopping areas, squares, parks and also around buildings

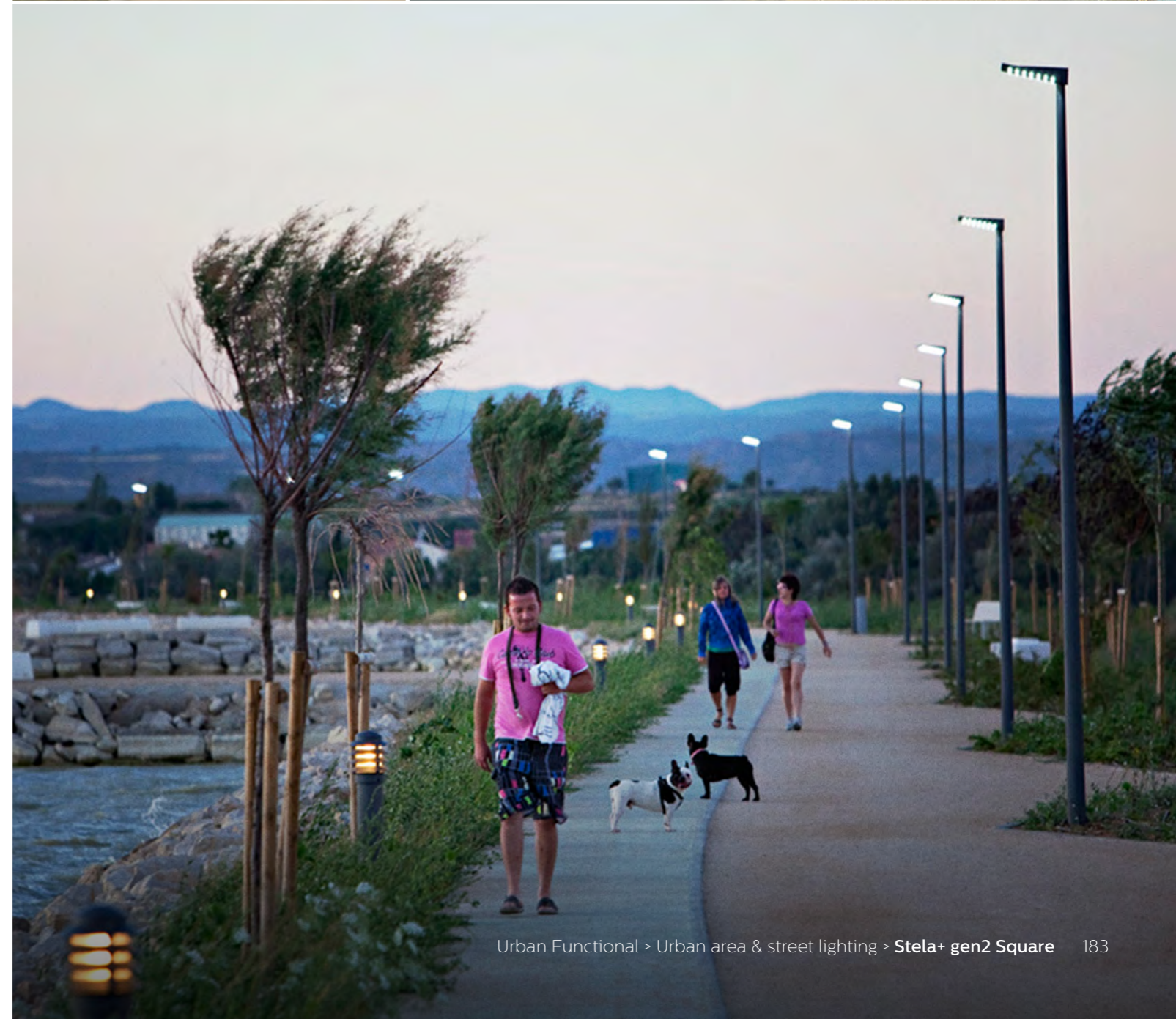
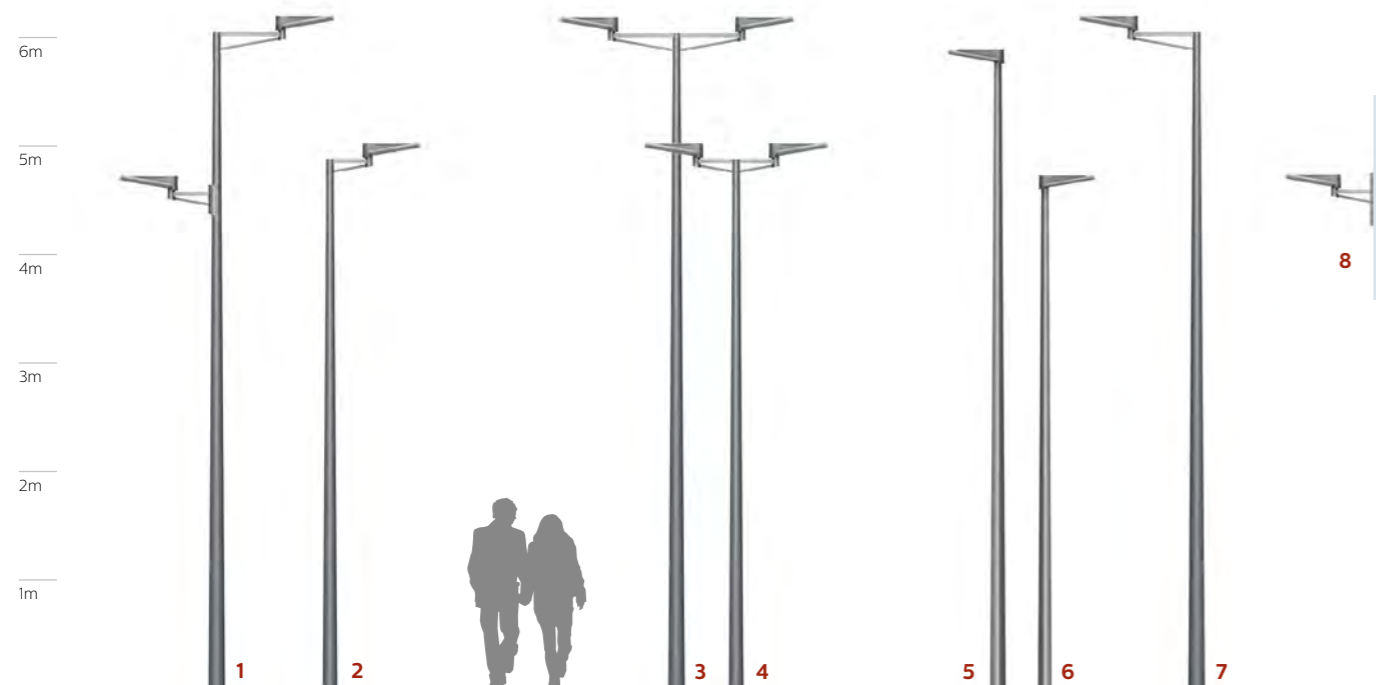


Measurements in mm



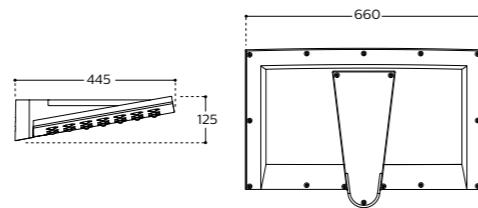
Complete sets

1. Stela+ gen2 Square + Next S500 bracket + Aloa/Accante pole + Stela+ gen2 Square + Next S300 rear bracket **2-4.** Stela+ gen2 Square + Next S300 bracket + Aloa/Accante pole **3-7.** Stela+ gen2 Square + Next S500 bracket + Aloa/Accante pole **5-6.** Stela+ gen2 Square + Aloa/Accante pole **8.** Stela+ gen2 Square + Next S300 wall bracket



Stela+ gen2 Wide

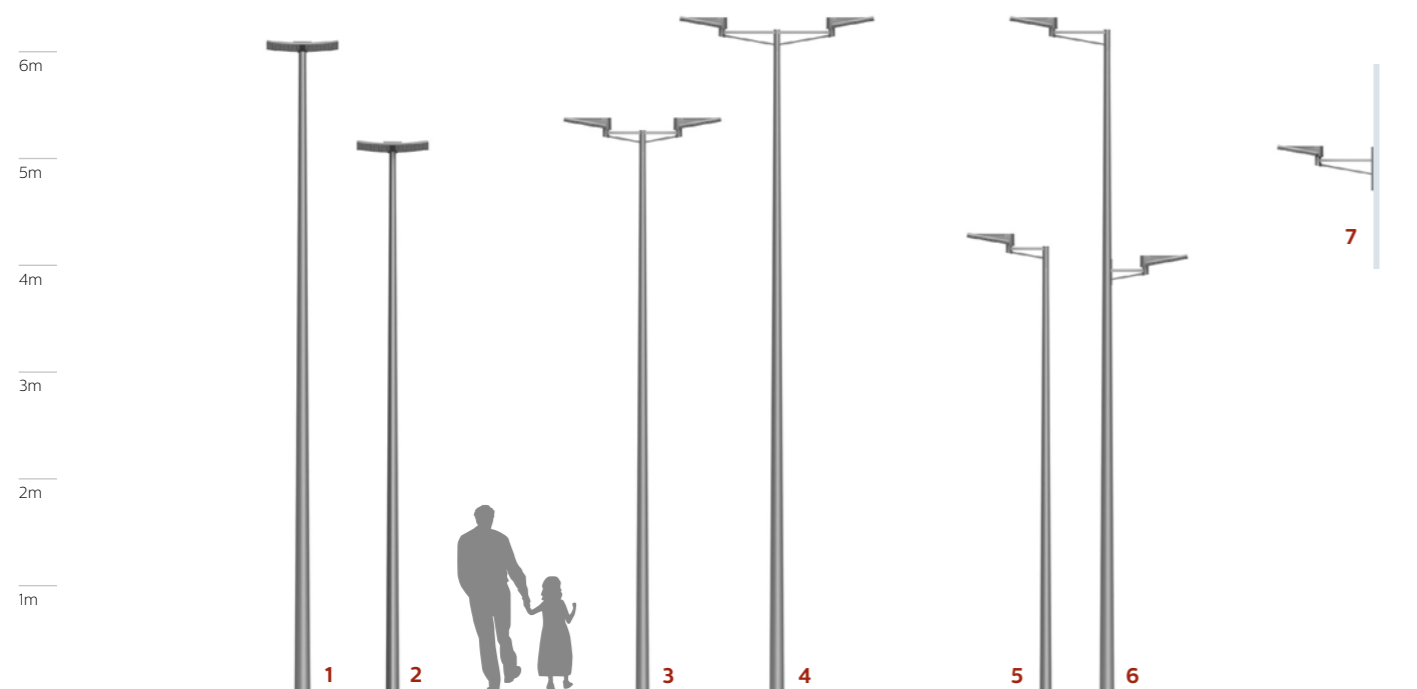
- Installation height 4 to 6 m
- Energy saving LED solution
- Suitable for post-top mounting Ø 60 mm and Ø 76 mm
- Several standard lumen packages available, offering a wide range of lighting solutions
- Several optics available for different street geometries
- Suitable for residential, pedestrian and shopping areas, squares, parks and also around buildings



Measurements in mm

Complete sets

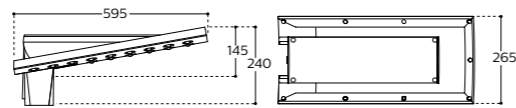
1-2. Stela+ gen2 Wide + Aloa/Accante pole **3-5.** Stela+ gen2 Wide + Next S300 bracket + Aloa/Accante pole **4.** Stela+ gen2 Wide + Next S500 bracket + Aloa/Accante pole **6.** Stela+ gen2 Wide + Next S500 bracket + Aloa/Accante pole + Stela+ gen2 Wide + Next S300 rear bracket **7.** Stela+ gen2 Wide + Next S500 wall bracket



Stela+ gen2 Long



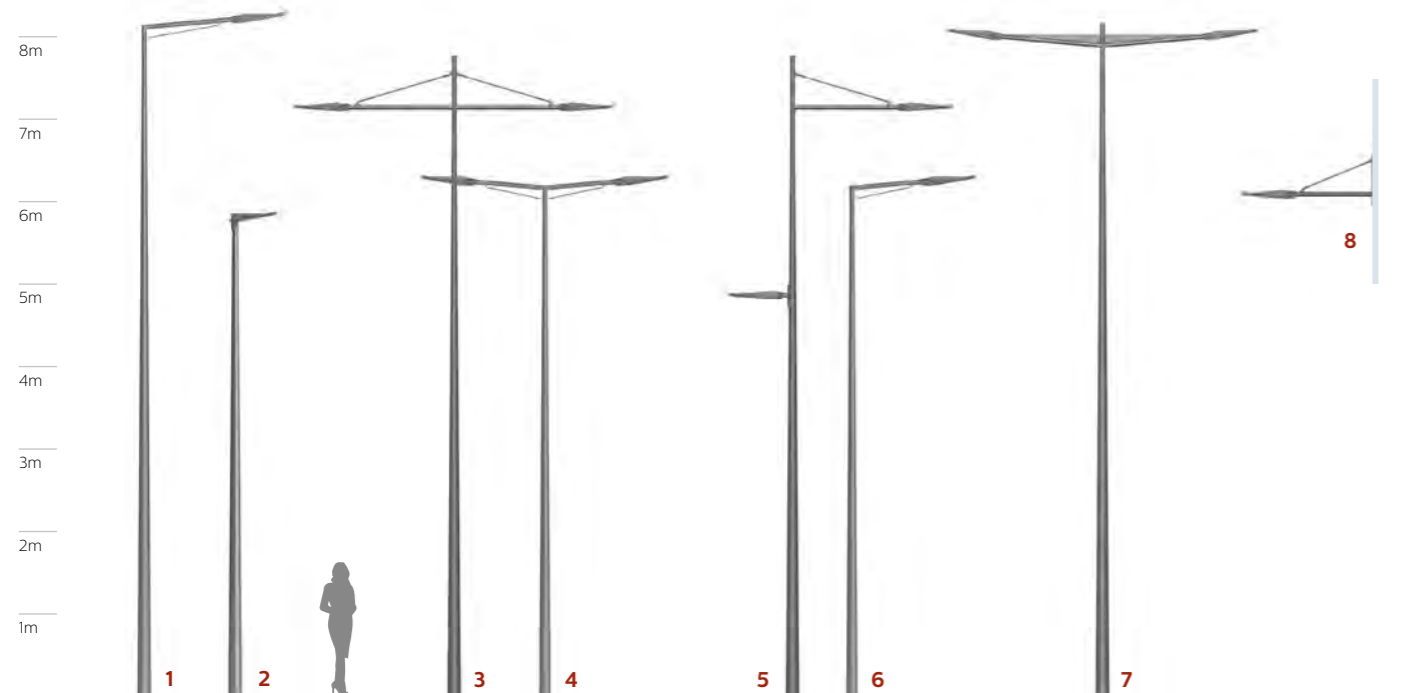
- Installation height 5 to 8 m
- Energy saving LED solution
- Longitudinal shape is typically used for side-entry installations
- Suitable for side-entry mounting \varnothing 32/60 mm and post-top \varnothing 60/76 mm
- Several standard lumen packages available, offering a wide range of lighting solutions
- Lumen packages create a perfect overlap between Stela+ gen2 Square and Wide
- Several optics available for different street geometries
- Suitable for residential streets and areas, pedestrian and shopping areas, side streets, squares, parks and also around buildings



Measurements in mm

Complete sets

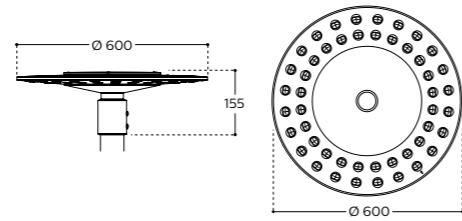
- 1.** Stela+ gen2 Long + Féroé L1200 bracket + Aloa/Accante pole **2.** Stela+ gen2 Long + Aloa/Accante pole **3.** Stela+ gen2 Long + Caravelle low L1400 bracket + Aloa/Accante pole **4-6.** Stela+ gen2 Long + Féroé L960 bracket + Aloa/Accante pole **5.** Stela+ gen2 Long + Caravelle low L1400 bracket + Aloa/Accante pole + Stela+ gen2 Long + rear bracket **7.** Stela+ gen2 Long + Mayotte L1400 bracket + Aloa/Accante pole **8.** Stela+ gen2 Long + Caravelle low L900 wall bracket



Stela+ gen2 Round



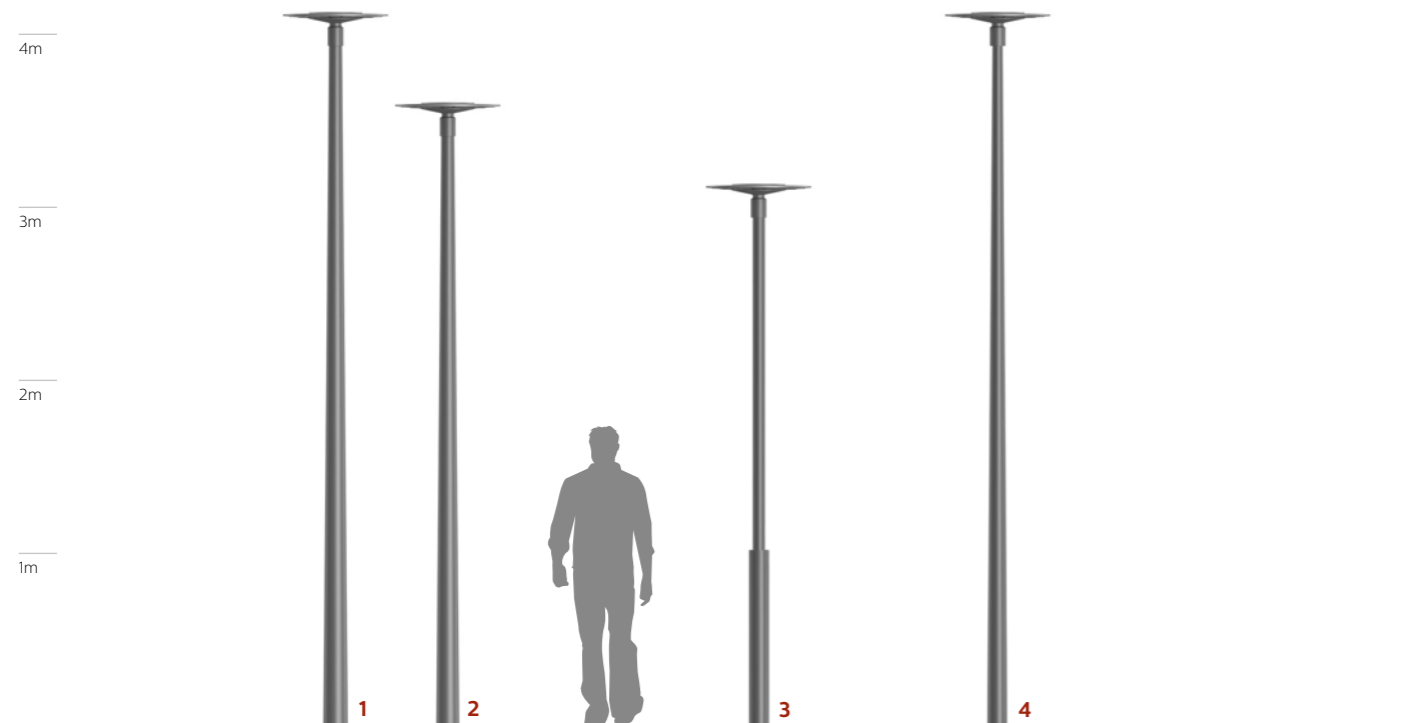
- Installation height 4 to 5 m
- Energy saving LED solution natural round shape adds a certain flair to the environment
- Suitable for post-top \varnothing 60/76 mm
- Several standard lumen packages available, offering a wide range of lighting solutions
- Very suitable for areas like parks or squares (area optic), but can also be used in street geometries (street optic)



Measurements in mm

Complete sets

1-2-4. Stela+ gen2 Round + Aloa/Accante pole 3. Stela+ gen2 Round + Acteo/Alteo pole





TownGuide Performer

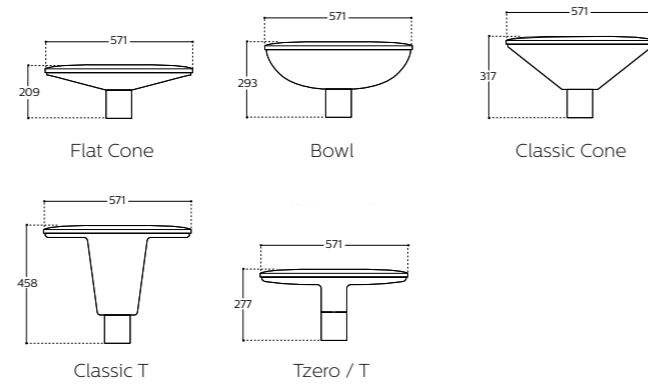
The TownGuide Performer family consists of six recognizable yet modern shapes: Flat Cone, Bowl, Classic Cone, Classic, T and Tzero. All offer a choice between either a clear or frosted bowl, except version Tzero which is available with the clear bowl only. With an extensive range of lumen packages and operating lifetimes, it is easy to select the version that best suits your project's specific requirements.

In addition, TownGuide Performer has a variety of control system options that can make it an integral part of your smart energy-reduction programs – from stand-alone LumiStep and DynaDimmer, SDU-LineSwitch, switch-dim control, through to seamless remote connectivity with CityTouch lighting management software. Philips has made every effort to make the Total Cost of Ownership of the luminaire as attractive as possible. And as TownGuide Performer is a dedicated LED luminaire, the energy and maintenance cost savings compared to conventional lighting are significant.



TownGuide Performer

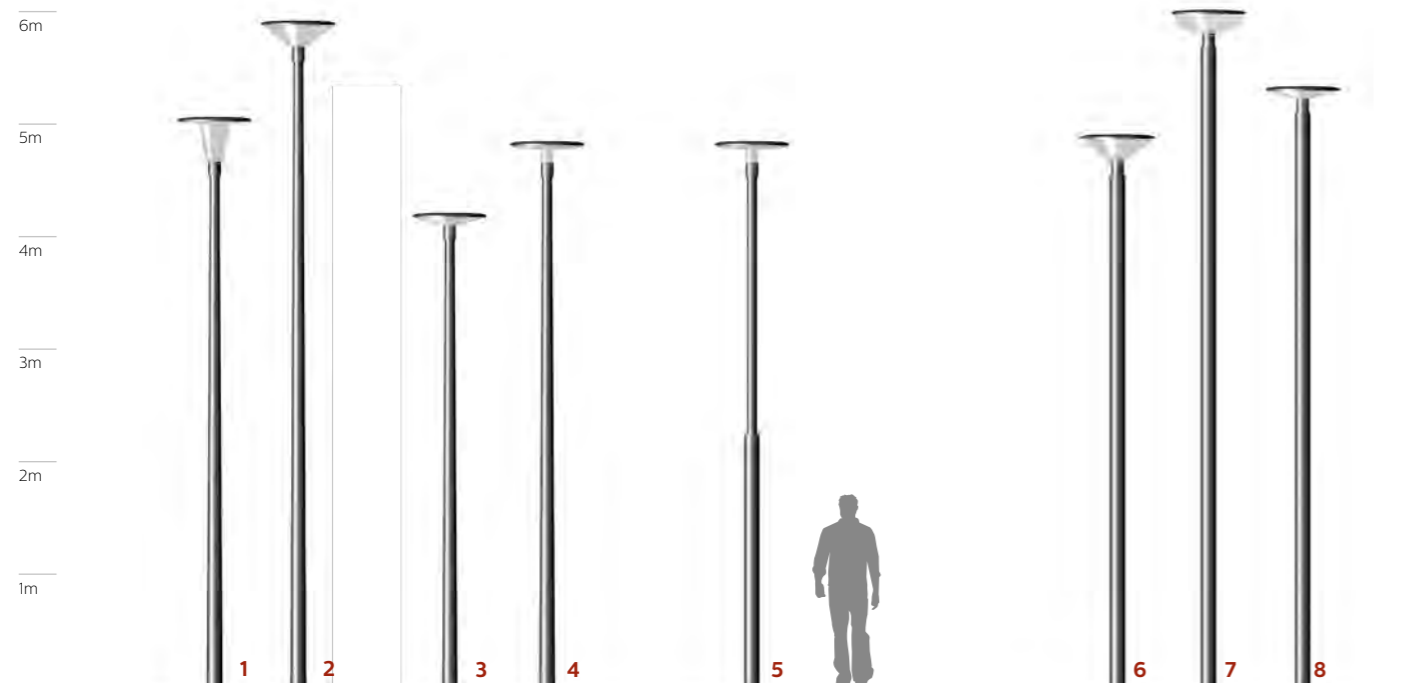
- Installation height 3.5 to 6 m
- Suitable for post-top Ø 48/62/76 mm
- Six recognizable yet modern designs
- Available in clear or frosted bowl
- Energy saving LED solution
- Several standard lumen packages available
- Suitable for new installations or one-to-one replacement in existing installations
- Choice of two colour temperatures: warm white and neutral white



Measurements in mm

Complete sets

1. TownGuide Tzero + Aloa/Accante pole 2. TownGuide Flat Cone + Aloa/Accante pole 3. TownGuide Flat Cone + Aloa/Accante pole
 4. TownGuide Tzero + Aloa/Accante pole 5. TownGuide Tzero + Acteo Pole 6. TownGuide Bowl + Actua pole 7. TownGuide Flat Cone + Actua pole 8. TownGuide Flat Cone + Actua pole





Urban road lighting



Luma
196



Iridium gen3 LED
204

Urban road lighting

With the increasing traffic densities in our communities, urban functional road lighting has become of major importance to guarantee traffic participants a safe journey.

Our functional lighting solutions for urban roads incorporate primarily traffic functions that offer guidance and orientation, in a way that traffic safety for all participants is secured, mainly by having perfect glare control, white colour rendering and uniformity quality up to all relevant standards. At the same time maximization of pole spacings is targeted by designing high performance optics, to match various lighting classes and road geometries for basic urban roads in and around cities. These lighting solutions, suitable for installation heights from 8 to 12 meters, can be combined with complete sets of poles and brackets from our standard pole and bracket portfolio to give it a more decorative look.



Luma

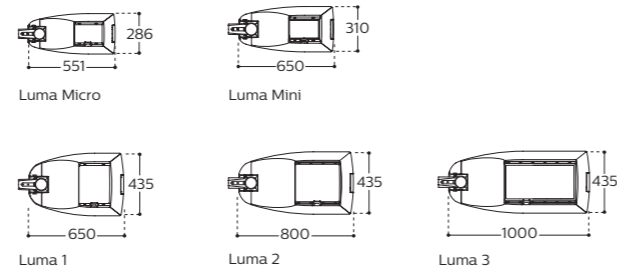
The modern Luma shapes have serene, recognizable lines and will therefore be at home in various road and street lighting environments. This makes Luma extremely suitable as the standard LED luminaire for a community from an urban ring road, urban roads and streets towards residential areas.

The Luma range generates big energy savings and minimizes maintenance costs. It covers the complete field of illuminance (S) and luminance (ME) lighting classifications, up to ME1. The Luma family includes five separate sub-ranges for specific applications, all of which work seamlessly together to give your city a coherent and consistent “light signature”: Luma Micro, Luma Mini, Luma 1, Luma 2 and Luma 3.



Luma + Batio

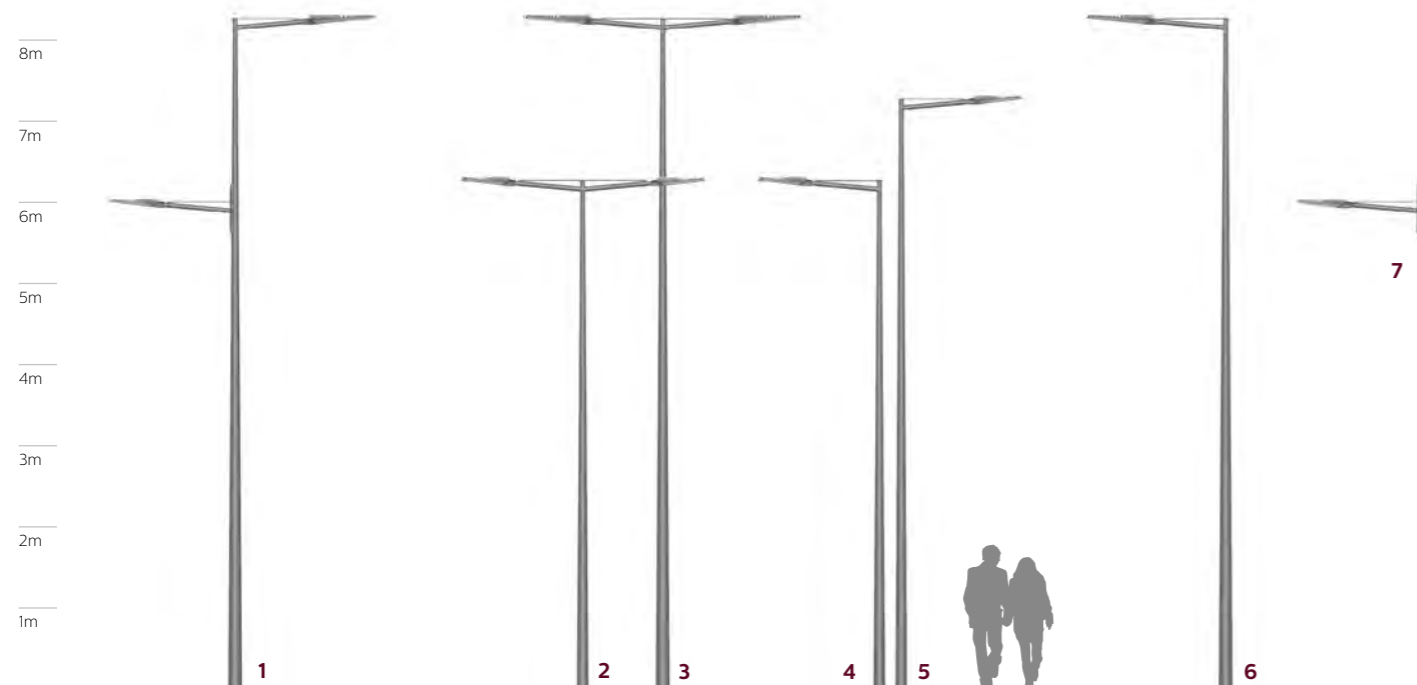
- Standard extruded steel bracket
- Compatible with Accante conical pole in steel (top Ø 60 or 62 mm) or Aloa conical pole in aluminium (top Ø 90 mm)
- Sets with one or two luminaires, single or double, rear bracket and wall mounted in different lengths and several pole heights



Measurements in mm

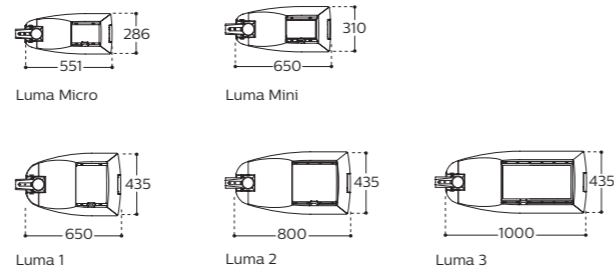
Complete sets

1. Luma 2 + Batio L980 bracket + Aloa/Accante pole + Luma Mini + Batio L660 rear bracket **2-4.** Luma 1 + Batio L660 bracket + Aloa/Accante pole **3-6.** Luma 2 + Batio L980 bracket + Aloa/Accante pole **5.** Luma 1 + Batio L980 bracket + Aloa/Accante pole **7.** Luma Mini + Batio L980 wall bracket



Luma + Caravelle low

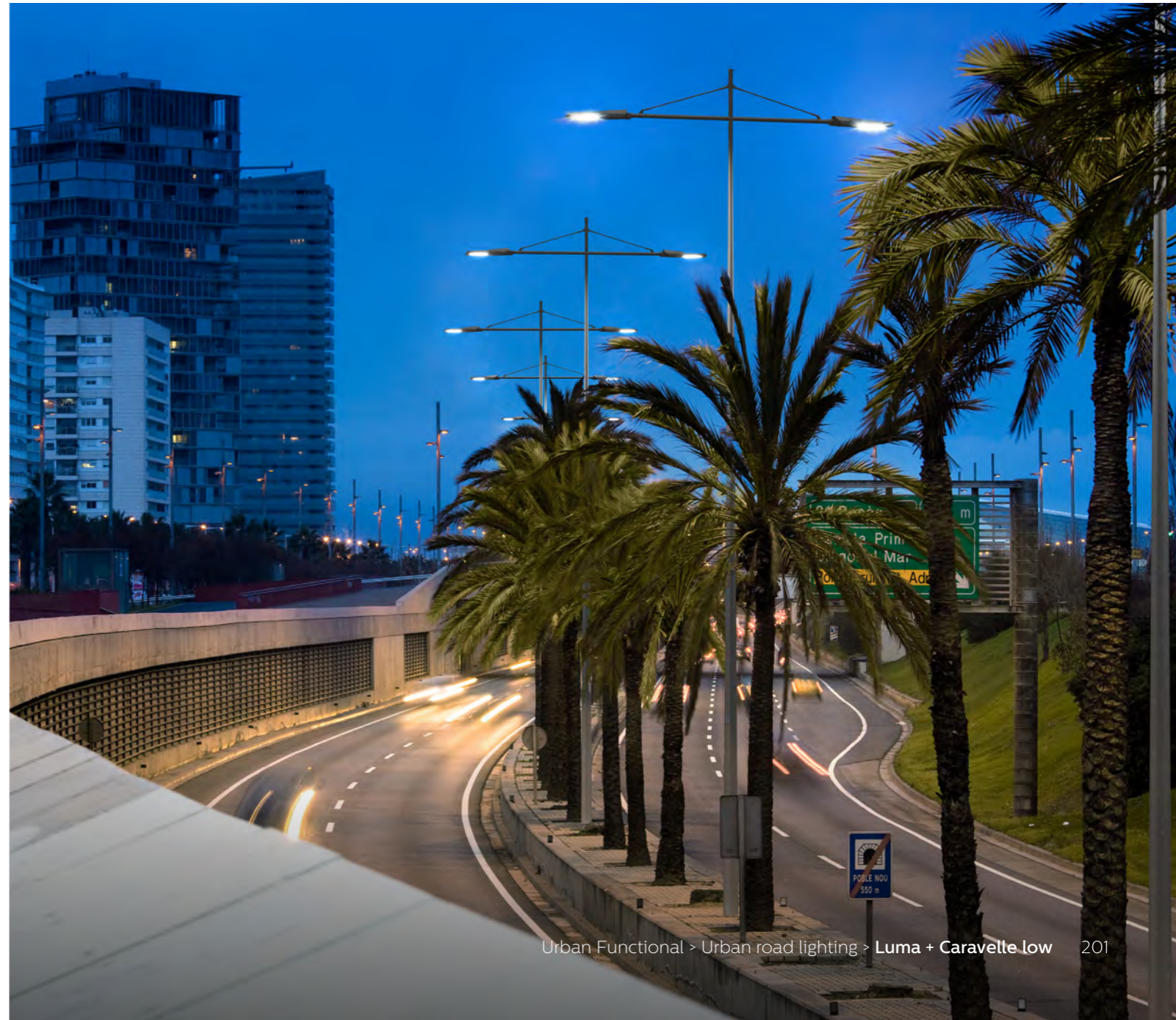
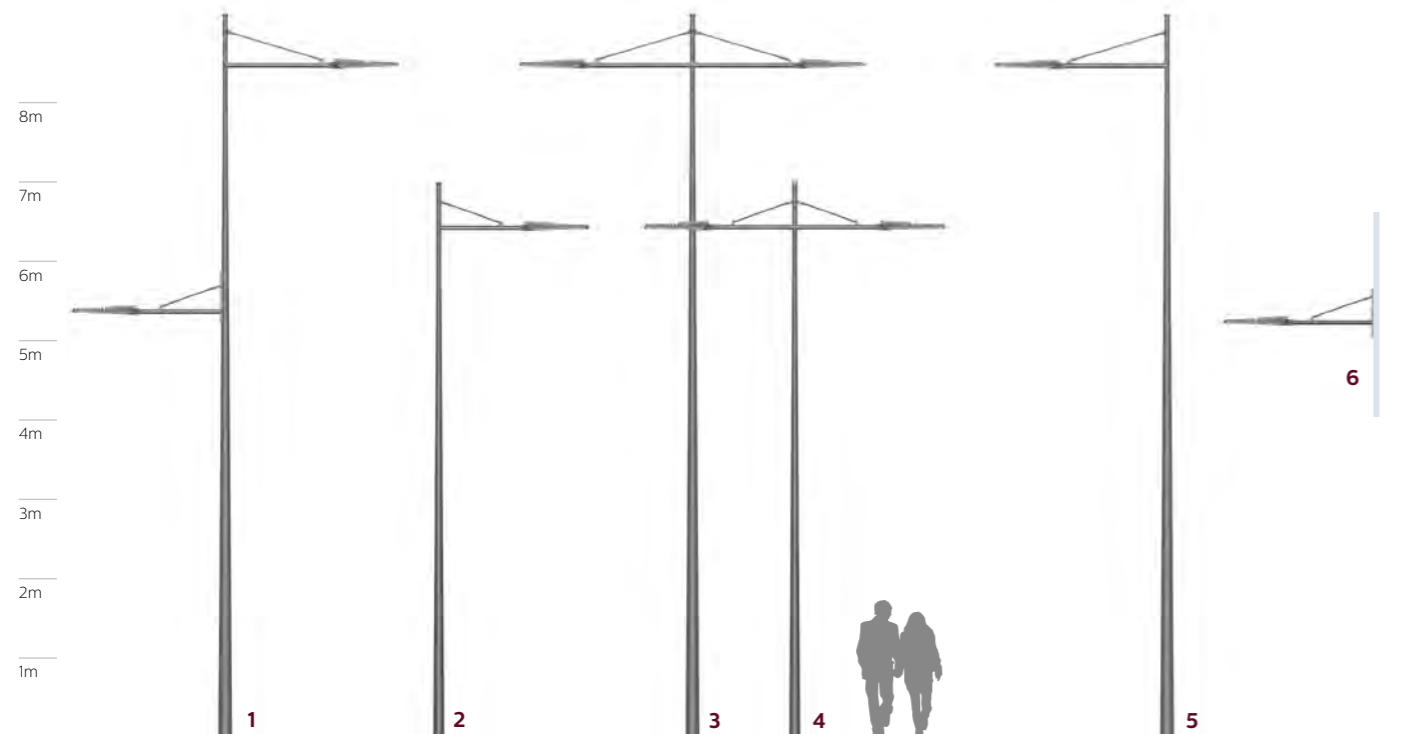
- Standard extruded aluminium bracket
- Compatible with Accante conical pole in steel (top Ø 60 or 62 mm) or Aloa conical pole in aluminium (top Ø 90 mm)
- Sets with one or two luminaires, single or double, rear bracket and wall mounted in different lengths and several pole heights



Measurements in mm

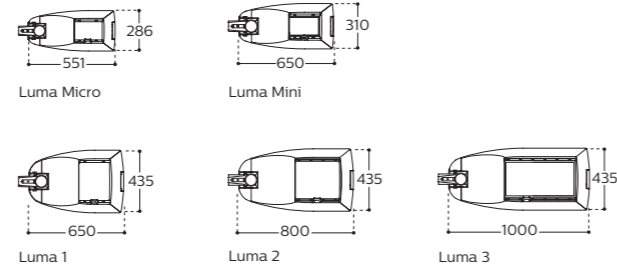
Complete sets

1. Luma 2 + Caravelle low L1400 bracket + Aloa/Accante pole + Luma Mini + Caravelle low L1000 rear bracket **2-4.** Luma 1 + Caravelle low L1000 bracket + Aloa/Accante pole **3-5.** Luma 2 + Caravelle low L1400 bracket + Aloa/Accante pole **6.** Luma 1 + Caravelle low L1000 wall bracket



Luma + Spline

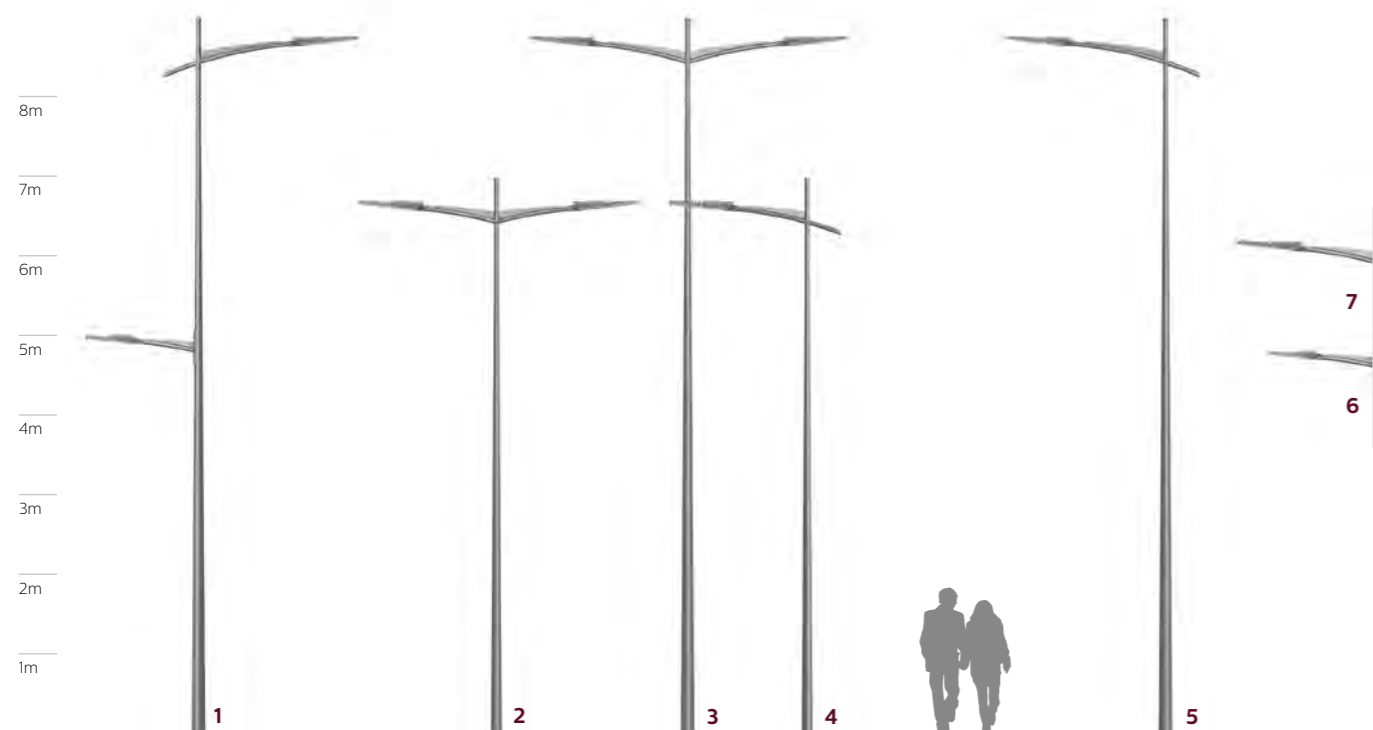
- Standard extruded aluminium bracket
- Compatible with Accante conical pole in steel (top Ø 60, 62 or 89 mm) or Aloa conical pole in aluminium (top Ø 90 mm)
- Sets with one or two luminaires, single or double, rear bracket and wall mounted in different lengths and several pole heights



Measurements in mm

Complete sets

1. Luma 2 + Spline L1205 bracket + Aloa/Accante pole + Luma Mini + Spline L1045 rear bracket **2-4.** Luma 1 + Spline L1045 bracket + Aloa/Accante pole **3-5.** Luma 2 + Spline L1205 bracket + Aloa/Accante pole **6.** Luma Mini + Spline L1045 wall bracket **7.** Luma 2 + Spline L1205 wall bracket





Iridium gen3 LED

Iridium gen3 LED is the first truly intelligent luminaire designed for seamless connectivity. No hassle in commissioning – just install the luminaire and control it from a distance through CityTouch management software. Remote light management made easy! The new ‘plug & play’ concept has been designed to ensure safe and easy installation in just three steps: 1. Install the spigot, 2. Plug in the mains, 3. Tilt and close the luminaire. The luminaire’s high efficiency at system level ensures significant energy savings compared to existing conventional installations, offering a fast payback. Thanks to its wide choice of lumen packages, optics and colour temperatures, Iridium gen3 LED fits most applications in residential areas. The luminaire’s neo-classical design guarantees a consistent look and feel for your surroundings.



Iridium gen3 LED
+ Mayotte 206



Iridium gen3 LED
+ Féroé 208

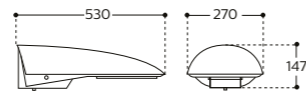


Iridium gen3 LED
+ KC 210

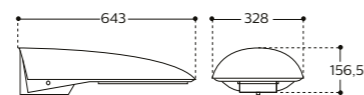
Iridium gen3 LED + Mayotte



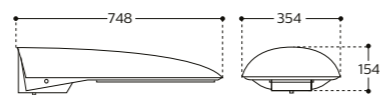
- Standard extruded steel bracket
- Compatible with Accante conical pole in steel (top Ø 60 or 62 mm)
- Sets with one or two luminaires, single or double, rear bracket and wall mounted in different lengths and several pole heights



Iridium gen3 LED Mini



Iridium gen3 LED Medium

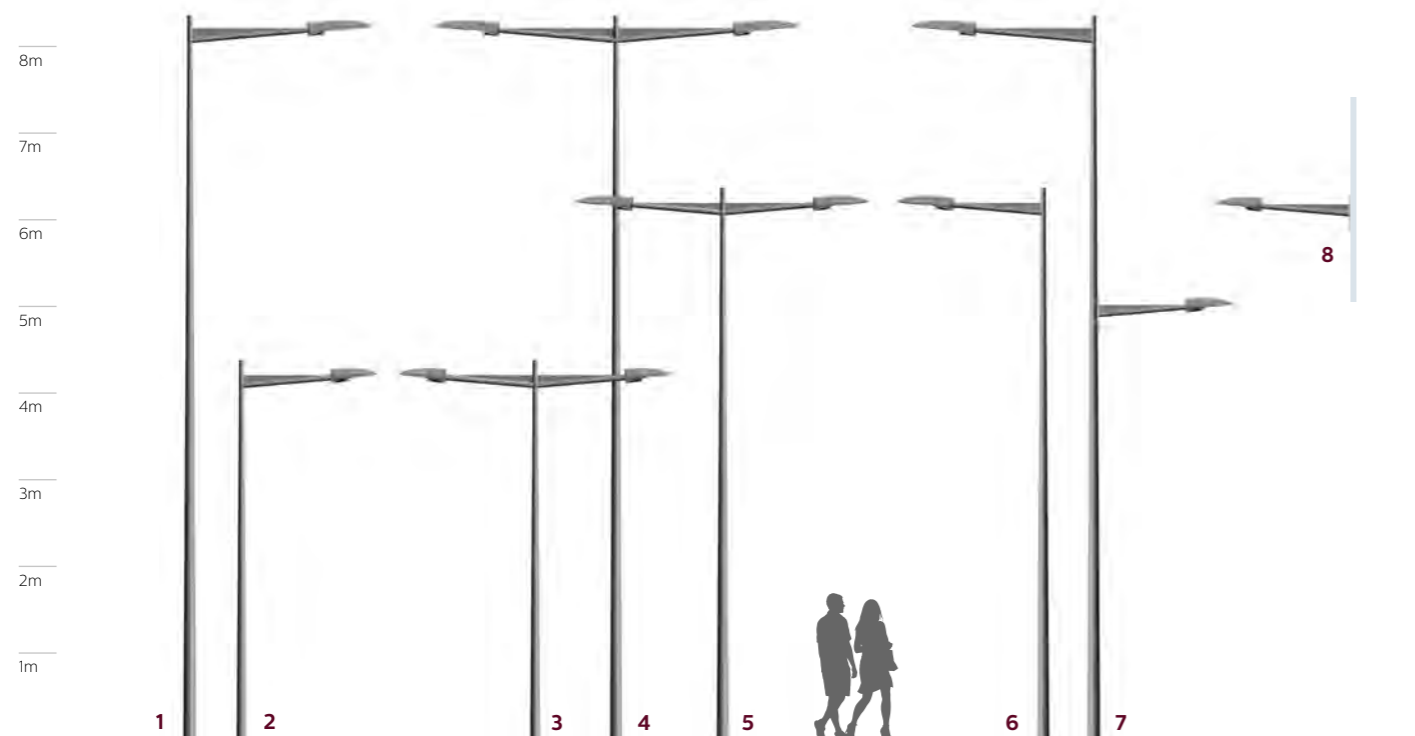


Iridium gen3 LED Large

Measurements in mm

Complete sets

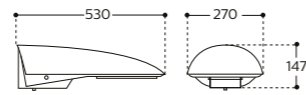
1-4. Iridium gen3 LED Large + Mayotte L1400 bracket + Aloa/Accante pole **2-3.** Iridium gen3 LED Mini + Mayotte L1085 bracket + Aloa/Accante pole **5-6.** Iridium gen3 LED Medium + Mayotte L1400 bracket + Aloa/Accante pole **7.** Iridium gen3 LED Large + Mayotte L1400 bracket + Aloa/Accante pole + Iridium gen3 LED Mini + Mayotte L1085 rear bracket **8.** Iridium gen3 LED Medium + Mayotte L1085 wall bracket



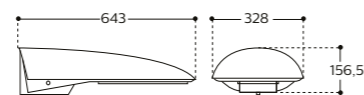
Iridium gen3 LED + Féroé



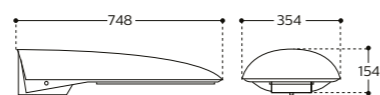
- Standard extruded steel bracket
- Compatible with Accante conical pole in steel (top Ø 60 or 62 mm)
- Sets with one or two luminaires, single or double bracket and wall mounted in different lengths and several pole heights



Iridium gen3 LED Mini



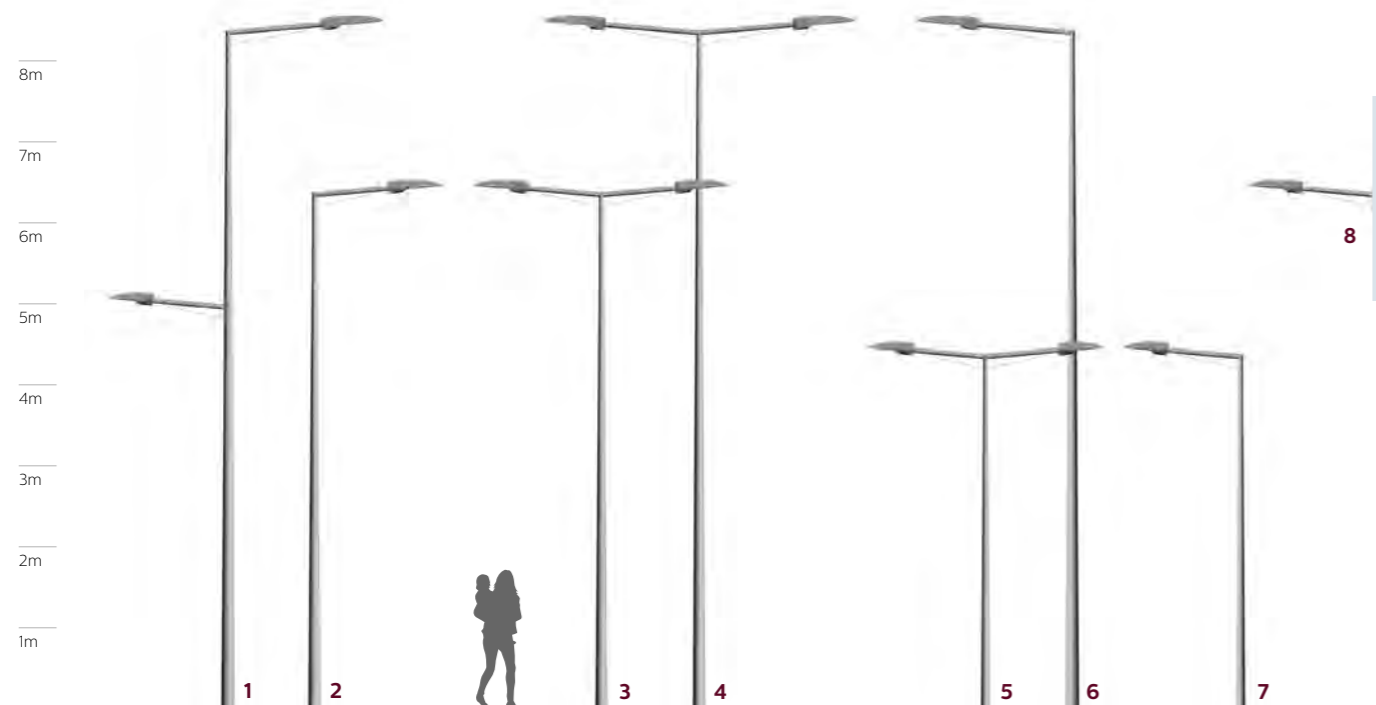
Iridium gen3 LED Medium



Iridium gen3 LED Large

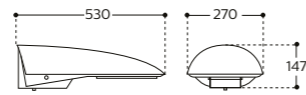
Complete sets

1. Iridium gen3 LED Medium + Féroé L1200 bracket + Aloa/Accante pole + Iridium gen3 LED Mini + Féroé L960 rear bracket **2-3.** Iridium gen3 LED Medium + Féroé L960 bracket + Aloa/Accante pole **4-6.** Iridium gen3 LED Large + Féroé L1200 bracket + Aloa/Accante pole **5-7.** Iridium gen3 LED Mini + Féroé L960 bracket + Aloa/Accante pole **8.** Iridium gen3 LED Medium + Féroé L960 wall bracket

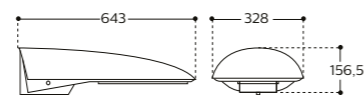


Iridium gen3 LED + KC

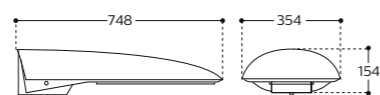
- Standard extruded steel bracket
- Compatible with Accante conical pole in steel (top Ø 60 or 62 mm)
- Sets with one or two luminaires, single or double bracket in different lengths and several pole heights



Iridium gen3 LED Mini



Iridium gen3 LED Medium

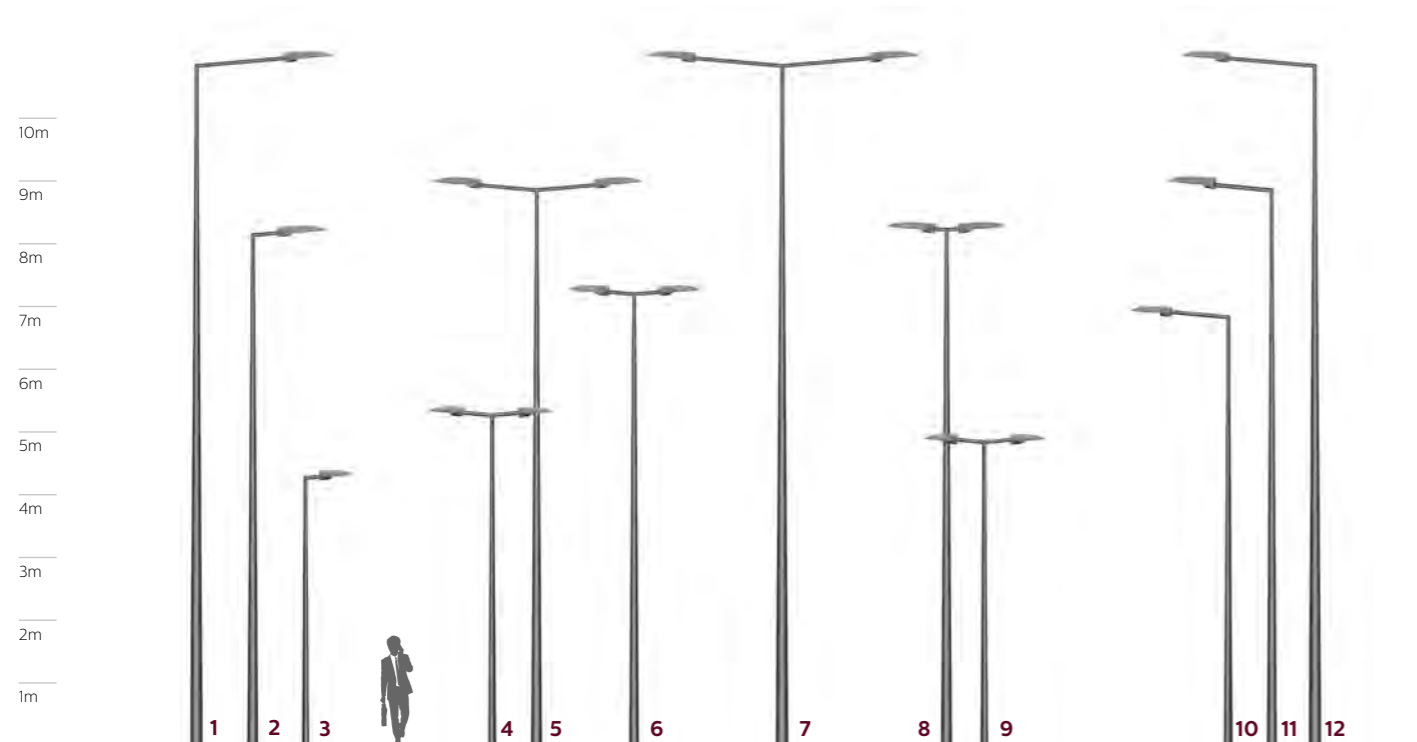


Iridium gen3 LED Large

Measurements in mm

Complete sets

1-7-12. Iridium gen3 LED Large + KC L1500 bracket + Aloa/Accante pole **2-6.** Iridium gen3 LED Large + KC L500 bracket + Aloa/Accante pole
3. Iridium gen3 LED Mini + KC L200 bracket + Aloa/Accante pole **4-9.** Iridium gen3 LED Mini + KC L500 bracket + Aloa/Accante pole
5-11. Iridium gen3 LED Large + KC L1000 bracket + Aloa/Accante pole **8.** Iridium gen3 LED Medium + KC L200 bracket + Aloa/Accante pole
10. Iridium gen3 LED Medium + KC L1000 bracket + Aloa/Accante pole.





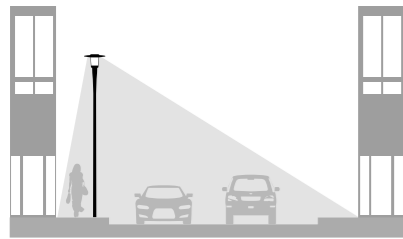
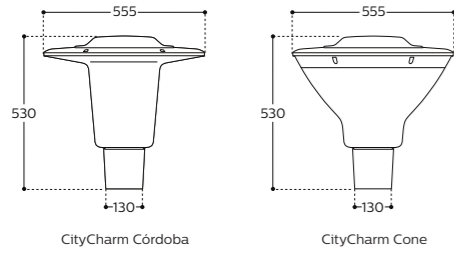
Luminaires

In the technical appendix we publish the most relevant technical specifications of the luminaires. If you need more technical specifications we recommend you to visit the product catalogue in our website www.lighting.philips.com



CityCharm

Technical specifications

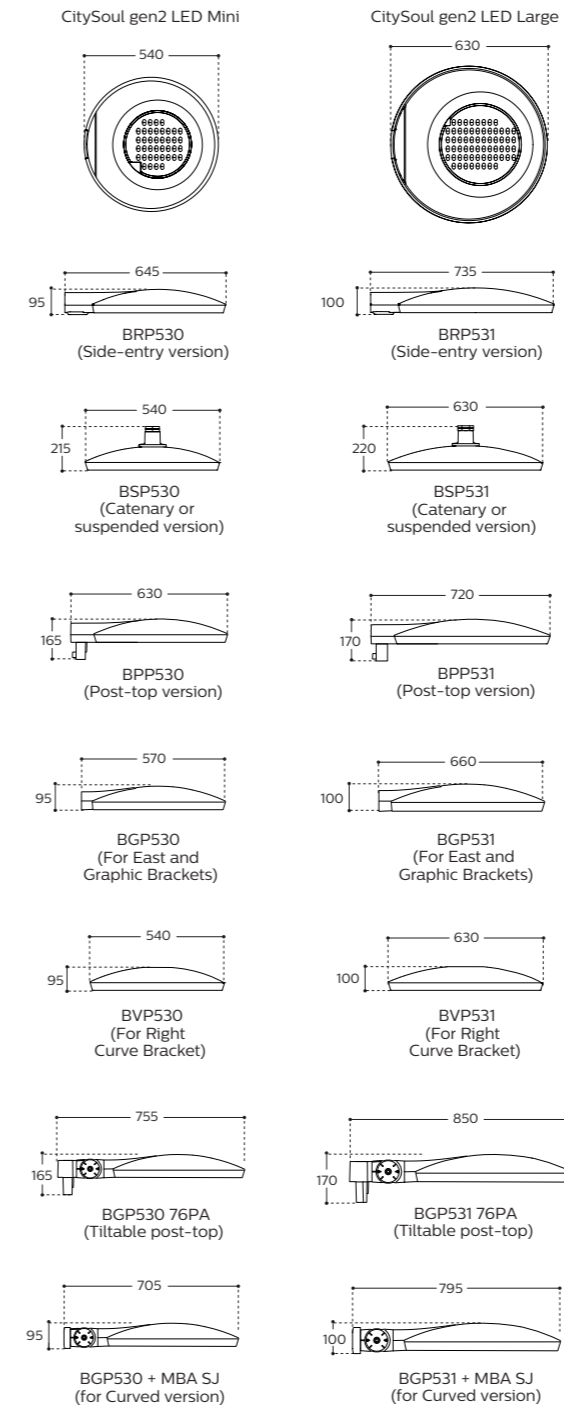


Light Trespass

Type	BDS490 (Cordoba) BDS491 (Cone)
IP rating	IP66
IK rating	IK10
Light source	Integrated LED module
Power	From 9 W to 82 W (WW) From 9 W to 75 W (NW) depending on LED configuration
Colour temperature	3000 K (WW) 4000 K (WW)
Colour rendering index	70 (WW) 80 (NW)
Luminous flux	From 1,100 to 7,400 lm (WW) From 1,100 to 7,450 lm (NW) depending on LED configuration
Lumen maintenance	Up to 100,000 hours at L80B10
Luminaire efficacy	Up to 130 lm/W
Intelligence control	LumiStep (LS), DynaDimmer (DDF), SDU (D4) only for 100 W, LineSwitch (D110 for 27 W/40 W), StarSense RF Wireless and CityTouch Ready
Optics	Distribution Medium (DM) Distribution Wide (DW) Distribution Symmetrical (S) Distribution A-symmetrical (A) Distribution Vertical (DV)
Material	Housing: high-pressure die-cast aluminium, coated Housing: high-pressure die-cast aluminium, non-corrosive Bowl: polycarbonate, reinforced against UV Gasket: silicone rubber heat resistant Optics: plastic (PMMA)
Colour	Philips Ultra Dark Grey (close to RAL7022), other RAL or Akzo Nobel Futura colours available on request
Installation	Post-top: Ø 60/76 mm. No adjustable tilt angle
Options	Colour effect (orange, green or blue) GentleBeam Louver
Weight	11-12 kg depending on configuration
SCx	CityCharm Cordoba: 0.1124 m ² CityCharm Cone: 0.1155 m ²

CitySoul gen2 LED

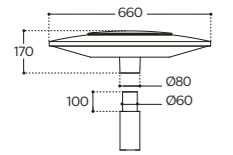
Technical specifications



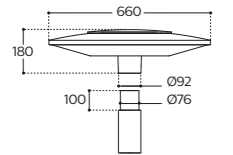
Type	CitySoul gen2 LED Mini CitySoul gen2 LED Large
IP rating	IP66
IK rating	IK08
Power	GRN: depending on configuration Mini: 14-86 W, Large: 38-138 W
Colour temperature	3000 K (WW) 4000 K (NW)
Colour rendering index	≥ 80 (WW) ≥ 70 (NW)
Luminous flux	CitySoul gen2 LED Mini: From 1,550 to 8,400 lm (WW) From 1,700 to 9,500 lm (NW) CitySoul gen2 LED Large: From 4,250 to 13,000 lm (WW) From 4,600 to 14,800 lm (NW)
Lumen maintenance	GRN: 100,000 hours at L80B10
Luminaire efficacy	CitySoul gen2 LED Mini: Up to 122 lm/W CitySoul gen2 LED Large: Up to 110 lm/W
Intelligence control	LumiStep 6, 8 hrs, DynaDimmer, Constant Light output (CLO), SDU, StarSense, RF wireless, CityTouch Ready
Optics	Distribution Medium (DM), Distribution Wide (DW), Distribution Medium for wet road (DK), Distribution Residential wide (DRW), Distribution Symmetrical (DS), Asymmetrical for Large only (A)
Material	Gasket: silicone rubber, heat resistant Optics: plastic (PMMA) Cover: glass, thermally hardened
Colour	Housing: Philips Ultra Dark Grey (close to RAL 7022, fine textured colour) Frame: Satin Silver Grey (RAL 9006) Other RAL and Akzo Nobel Futura colours available on request
Installation	BPP530/BPP531: post-top mounting: Ø 60-76 mm BRP530/BRP531: side-entry mounting: Ø 42-60 mm BSP530/BSP531: catenary or suspended mounting with dedicated bracket BPP532: dedicated lyre (bracket available, to be ordered separately) Adjustable tilt angle: possible with specific MBA or 76PA mounting spigot
Weight	CitySoul gen2 LED Mini: min. 12.7 kg CitySoul gen2 LED Large: min. 17.4 kg
SCx	CitySoul gen2 LED Mini post-top/side-entry (BRP/BPP530): 0.011 m ² CitySoul gen2 LED Large post-top/side-entry (BRP/BPP531): 0.014 m ² Double Post-top + 2 CitySoul gen2 LED Mini (JRP532+ 2 BGP530): 0.027 m ² Double Post-top + 2 CitySoul gen2 LED Large (BGP531): 0.033 m ² CitySoul gen2 LED Mini + Tilttable side-entry bracket (BGP530 + MBA SJ): 0.014 m ² CitySoul gen2 LED Large + Tilttable side-entry bracket (BGP531 + MBA SJ): 0.017 m ² CitySoul gen2 LED Mini + Lyre (BPP532 + JRP533): 0.061 m ²

CitySphere

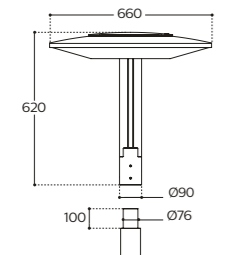
Technical specifications



Standard spigot Ø 60 mm



Standard spigot Ø 76 mm

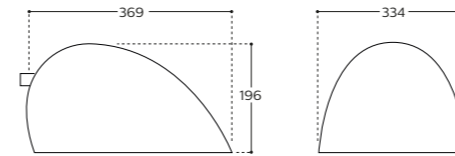


Decorative spigot Ø 90 mm

Type	BDP780 (version with white ring 1, 56 LEDs) BDP781 (version with white ring 2, 28 LEDs) BDP782 (version with white ring 3, 16 LEDs)
IP rating	IP66
IK rating	IK10
Light source	Integral LED module
Power	From 14 W to 115 W depending on configuration
Colour temperature	3000 K (WW) 4000 K (NW)
Colour rendering index	≥ 80 (WW) ≥ 70 (NW)
Luminous flux	From 1,148 to 9,960 lm
Lumen maintenance	GRN: 100,000 hours at L80B10 ECO: 70,000 hours at L80B10
Luminaire efficacy	Up to 89 lm/W (WW) Up to 107 lm/W (NW)
Controls system input	1-10 V, DALI
Intelligence control	LumiStep (LS), DynaDimmer (DDF), AmpDim (D13), SDU (D4), External dimming 1-10 V (D7/D9), StarSense RF Wireless, CityTouch Ready (not available with CitySphere with colour ring)
Optic	Distribution Street Pedestrian (DSP), Distribution Medium (DM), Distribution Wide (DW) or Distribution Symmetrical (DS)
Optical element	UV-stabilized clear polycarbonate bowl (PC) GentleBeam (RB)
Material	Housing: high-pressure aluminium Adapting piece: die-cast aluminium LED module: extruded aluminium Optic: PMMA lenses
Colour	Philips Dark Grey (close to RAL 7022). Other RAL and Akzo Nobel Futura colours available on request
Installation	Standard spigot Ø 60 or Ø 76 mm (60P, 76P) or Decorative spigot (90PD) Recommended mounting height: 4 to 6 m, dedicated poles and brackets available for different mounting possibilities
Weight	14.5 kg Standard spigot, 16 kg Decorative spigot
SCx	Max SCx: 0.1 m ²

CitySwan LED

Technical specifications

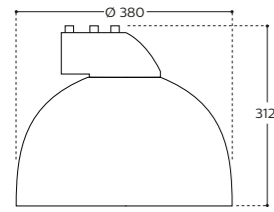


CitySwan LED

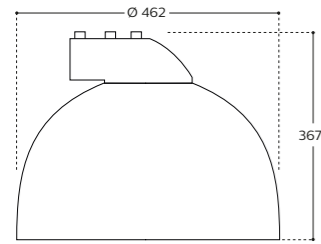
Type	BRS439 (CitySwan LED) BWS439 (CitySwan LED suspended)
IP rating	IP65
IK rating	IK08
Light source	LEDGINE
Power	From 18 W to 108 W
Colour temperature	3000 K (WW) 4000 K (NW)
Colour rendering index	84 (WW) 76 (NW)
Luminous flux	GRN: from 1,600 to 7,808 lm ECO: from 2,322 to 11,329 lm
Lumen maintenance	GRN: 100,000 hours at L80B10 ECO: 70,000 hours at L80B10
Luminaire efficacy	Up to 79 lm/W (WW) Up to 104 lm/W (NW)
Controls system input	1-10 V, DALI
Intelligence control	DynaDimmer, SDU, LumiStep, AmpDim, StarSense RF Wireless, CityTouch Ready
Optics	Distribution Medium (DM), Distribution Wide (DW), Distribution Comfort (DC), Distribution Medium for wet road (DK), Distribution Street Narrow (DSN), Asymmetrical (A), Distribution Pedestrian crossing (DP-L and DP-R)
Material	Housing: PMMA, translucent Spigot: aluminium Heat sink: die-cast aluminium, polyester powder coated Optical cover: tempered glass
Colour	Opal White Other RAL and Akzo Nobel Futura colours available on request
Installation	Suspended mounting Side-entry dedicated to Wall bracket, High, Bronze, Basic & Compact poles with brackets
Weight	7 kg
SCx	0.07 m ²

Copenhagen LED

Technical specifications



Copenhagen LED

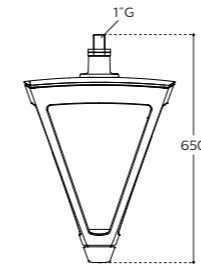


Big Copenhagen LED

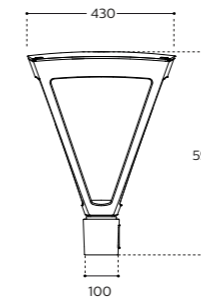
Type	Copenhagen LED Big Copenhagen LED
IP rating	IP65
IK rating	IK08
Light source	LEDGINE
Power	Copenhagen LED: from 19 W to 109 W Big Copenhagen LED: from 19 W to 136 W
Colour temperature	3000 K (WW) 4000 K (NW)
Colour rendering index	84 (WW) 76 (NW)
Luminous flux	Copenhagen LED: GRN from 1,600 to 7,808 lm / ECO from 2,322 to 11,329 lm Big Copenhagen LED: GRN from 1,600 to 9,760 lm / ECO from 2,322 to 14,161 lm
Lumen maintenance	GRN: 100,000 hours at L80B10 ECO: 70,000 hours at L80B10
Luminaire efficacy	Up to 79 lm/W (WW) Up to 104 lm/W (NW)
Controls system input	1-10 V, DALI
Intelligence control	DynaDimmer, SDU, LumiStep, StarSense RF Wireless, AmpDim, CityTouch Ready
Optics	Distribution Medium (DM), Distribution Wide (DW), Distribution Comfort (DC), Distribution Road Wet (DK), Distribution Street Narrow (DSN), Asymmetrical (A), Distribution Pedestrian crossing (DP-L and DP-R)
Material	Top flange: die-cast aluminium with polyester coating finish Housing: impact resistant PMMA Heat sink: die-cast aluminium, polyester powder coated Optical cover: tempered glass
Colour	Opal White Other RAL and Akzo Nobel Futura colours available on request
Installation	Side-entry mounting Ø 48 mm BRS Suspended bracket mounting
Weight	Copenhagen LED: 7 kg Big Copenhagen LED: 10 kg
SCx	Copenhagen LED: 0.08 m ² Big Copenhagen LED: 0.13 m ²

ClassicStreet

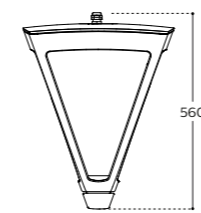
Technical specifications



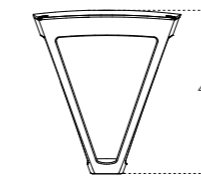
ClassicStreet
1'G suspended



ClassicStreet
Post-top with Spigot
Ø 60-76 mm

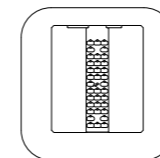


Suspended ClassicStreet
luminaire for suspended
ClassicStreet bracket

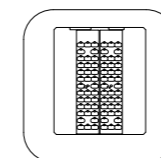


Post-top ClassicStreet
luminaire for post-top
ClassicStreet bracket

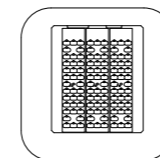
LED configurations



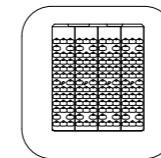
36 LED



72 LED



108 LED



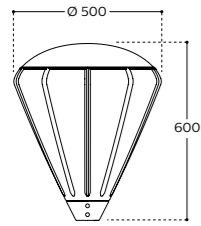
144 LED

Type	BDP794 (post-top version) BSP794 (1'G suspended version) BPP794 (post-top version for dedicated bracket) BVP794 (1'G suspended version for dedicated bracket)
IP rating	IP66
IK rating	IK09 Clear Flat Glass - IK08 Diffusing Flat Glass
Light source	Integrated LED module
Power	From 12 W to 82 W (WW) From 12 W to 73 W (NW)
Colour temperature	3000 K (WW) 4000 K (NW)
Colour rendering index	70 (WW) 80 (NW)
Luminous flux	From 1,041 to 7,046 lm (WW) From 1,065 to 7,032 lm (NW)
Lumen maintenance	Up to 100,000 hours at L80B10
Lumen efficacy	Up to 98 lm/W
Intelligence control	LumiStep (LS), DynaDimmer (DDF), LineSwitch (D11), SDU (D4), StarSense RF Wireless, CityTouch Ready
Optics	Distribution Medium (DM), Distribution Wide (DW), Distribution Residential Wide (DRW), Distribution Symmetrical (DS)
Material	Housing: Extruded aluminium diffusing Bowl: Clear Flat Glass
Colour	Black N9 or Philips Ultra Dark Grey, other RAL colours available on request
Installation	Post-top: Ø 60/76 mm. Suspended 1'G No adjustable tilt angle
Options	Diffusing Flat Glass, Photocell, MiniCell 35, 55, 75 lux
Weight	12.3 kg
SCx	0.15 m ²



CristalCity

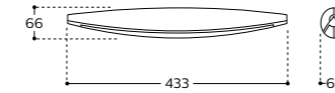
Technical specifications



Type	BDS798 (CristalCity)
IP rating	IP66
IK rating	IK10 (60 joules)
Light source	GRN / ECO: 16-72 W Fortimo LED: 12-40 W
Power	CristalCity Fortimo LED module: 12,5-40W CristalCity LEDGINE: GRN: 16-47W, ECO: 20-71W
Colour temperature	3000 K (WW) 4000 K (NW)
Colour rendering index	≥ 70 (NW) ≥ 80 (WW)
Luminous flux	GRN: 1,300-6,000 lm ECO: 1,300-6,000 lm Fortimo LED: 1,000 - 3,700 lm
Lumen maintenance	GRN: up to 100,000 hours at L80B10 ECO: 70,000 hours at L80B10 Fortimo LED: 50,000 hours at L80B10
Luminaire efficacy	GRN: up to 113 lm/W ECO: up to 107 lm/W Fortimo LED module: up to 99 lm/W
Intelligence control	LumiStep, DynaDimmer, 1-10V, DALI, StarSense RF Wireless
Optics	GRN/ECO: Distribution Symmetrical (S), Distribution Medium (DM), Distribution Narrow (DN), Distribution Comfort (DC), Distribution Medium for wet road conditions (DK) Fortimo LED: Low-brightness Medium Beam (LBM), Low-brightness Rotational Symmetrical (LBS)
Material	Housing: high-pressure aluminium Optical cover: polycarbonate, reinforced against UV
Colour	Top: White aluminium (RAL 9006) Base: Philips Dark Grey 10714, Blue Akzo YW276F, White Akzo YW266F, Futura Gris 2800 Sablé, Akzo YW 356F Other RAL or Akzo Nobel Futura colours available on request
Installation	Post-top mounting Ø 60 mm
Weight	8.1 kg
SCx	0.193 m²

FreeStreet

Technical specifications

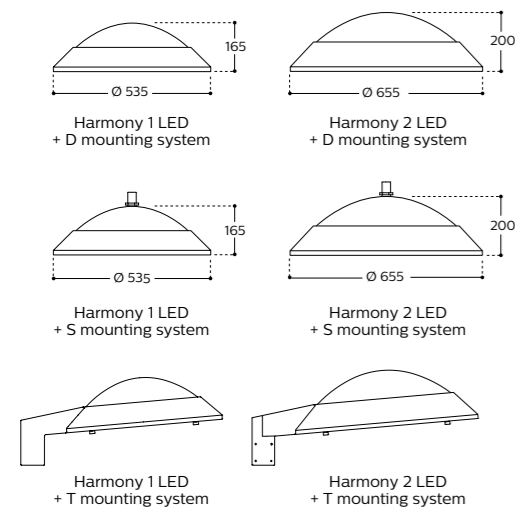


Type	BTP700 (FreeStreet)
IP rating	IP65
IK rating	IK08
Power	21.5 W (WW) 17.3 W (NW)
Colour temperature	3000 K (WW) 4000 K (NW)
Colour rendering index	85 (WW) 70 (NW)
Luminous flux	1,500 lm (WW) 1,600 lm (NW)
Luminaire efficacy	Up to 89 lm/W
Lumen maintenance	70,000 hours at L80B10
Controls system input	1-10 V and DALI
Intelligence control	LumiStep (LS), DynaDimmer (DDF), External dimming 1-10 V (D7/D9) DALI with convertors, Starsense RF Wireless
Optic	Symmetrical wide beam
Material	Housing: high-pressure, die-cast aluminium, non-corrosive Optical cover: polycarbonate External driver box: stainless steel
Colour	Canopy: Philips Ultra Dark Grey (DGR) and Black (BK)
Installation	Dedicated catenary system Dedicated accessories available for different mounting possibilities
Weight	1.16 kg
SCx	0.019 m²



Harmony LED

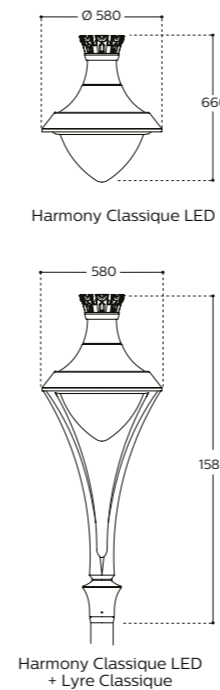
Technical specifications



Type	Harmony 1 LED Harmony 2 LED
IP rating	IP66
IK rating	IK06 IK09 (flat glass) IK10 (polycarbonate bowl)
Light source	Build- in LED module
Power	From 31 W to 115 W
Colour temperature	3000 K (WW) 4000 K (NW)
Colour rendering index	80 (WW) 75 (NW)
Source flux	From 3,350 to 10,450 lm
Lumen maintenance	95,000 hours at L80B10 for 250 / 350 mA 70,000 hours at L80B10 for 500 mA 50,000 hours at L80B10 for 700 mA
Controls system input	1-10 V, DALI
Intelligence control	DynaDimmer, SDU
Optics	Directa Narrow, Standard and Wide optic
Optical element	Micro lens-optic for Road and Area distribution
Material	Die-cast aluminium housing, hyphenate non-corrosive Clear polycarbonate bowl Flat glass PMMA clear lenses
Colour	Akzo Nobel Futura Gris 150 Sablé Other RAL and Akzo Nobel Futura colours on request
Installation	D mounting system for direct mounting on dedicated Avenue, Oxford, Sydney and Constance brackets T mounting system for post-top cap Ø 60/62 mm L mounting system for rear bracket LA mounting system for articulated rear bracket, tilt in 5° steps, max. angle -10° / +10° S mounting system for suspended mounting SA mounting system for articulated suspended mounting, tilt in 5° steps, max. angle -10° / +10° Catenary mounting Lyre mounting for post-top Ø 60 mm
Weight	Harmony 1 LED: max. 15 kg Harmony 2 LED: max. 21.5 kg (except Harmony 2 LED T: 43 kg)
SCx	Harmony 1 LED: 0.07 m ² Harmony 2 LED: 0.09 m ² (except Harmony 2 LED: 0.18 m ²)

Harmony Classique LED

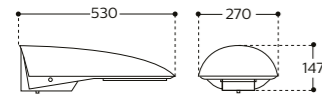
Technical specifications



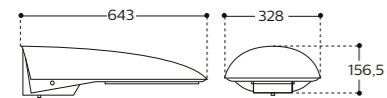
Type	Harmony Classique LED (VT-S with or without bowl) Harmony Classique LED (VT D10 Lyre Classique with or without bowl)
IP rating	IP65 / IP66 LED module
IK rating	IK06 IK10 (polycarbonate bowl)
Light source	Build- in LED module
Power	From 31 W to 115 W
Colour temperature	3000 K (WW) 4000 K (NW)
Colour rendering index	80 (WW) 75 (NW)
Luminous flux	From 3,350 to 10,450 lm
Lumen maintenance	95,000 hours at L80B10 for 250 / 350 mA 70,000 hours at L80B10 for 500 mA 50,000 hours at L80B10 for 700 mA
Controls system input	1-10 V, DALI
Intelligence control	DynaDimmer, SDU
Optics	Directa Narrow, Standard and Wide optic
Optical element	Micro lens-optic for Road and Area distribution
Material	Die-cast aluminium housing, non-corrosive Polycarbonate shock-resistant bowl PMMA clear lenses Cast aluminium upper and lower crown
Colour	Akzo Nobel Futura Noir 100 Sablé Other RAL and Akzo Nobel Futura colours on request
Installation	Suspended mounting Post-top Ø 60 mm Lyre Classique mounting
Weight	Harmony Classique LED: 13 kg Harmony Classique LED Lyre Classique: 20 kg
SCx	Harmony Classique LED: 0.22 m ² Harmony Classique LED Lyre Classique: 0.225 m ²

Iridium gen3 LED

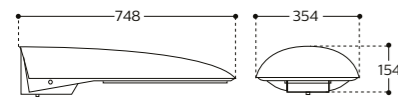
Technical specifications



Iridium gen3 LED Mini



Iridium gen3 LED Medium

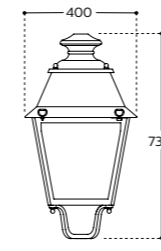


Iridium gen3 LED Large

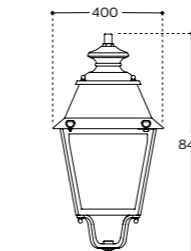
Type	BGP381 (Iridium gen3 LED Mini) BGP382 (Iridium gen3 LED Medium) BGP383 (Iridium gen3 LED Large)
IP rating	IP66
IK rating	IK09
Power	Mini: From 9 W to 36 W Medium: From 38 W to 86 W Large: From 60 W to 138 W
Colour temperature	3000 K (WW) 4000 K (NW)
Colour rendering index	80 (WW) 70 (NW)
Luminous flux	Mini: From 1,021 to 4,021 lm Medium: From 4,616 to 9,951 lm Large: From 7,372 to 15,553 lm
Lumen maintenance	100,000 hours at L80B10
Luminaire efficacy	Mini: 100 to 127 lm/W Medium: 106 to 132 lm/W Large: 103 to 131 lm/W
Control systems input	1-10 V, DALI
Intelligence control	LumiStep, DynaDimmer, Constant Light Output (CLO), SDU, StarSense RF Wireless, CityTouch Ready
Optics	Mini: Medium street optic (MSO), Wide Street Optic (WSO), Distribution Medium (DM), Distribution Medium for wet road conditions (DK) Medium and Large: Distribution Asymmetrical (A), Distribution Medium (DM), Distribution Wide (DW), Distribution Medium for comfort (DC), Distribution Medium for wet road conditions (DK)
Material	Housing: high pressure die-cast aluminium Cover: polycarbonate, flat
Colour	Aluminium or Grey Other RAL or Akzo Nobel Futura colours available on request
Installation	Post-top: Ø 60 or 76 mm Side-entry: Ø 42 or 60 mm Recommended mounting height: 4 m (Mini), 8 m (Medium), 10 m (Large) Standard tilt angle post top: 0, 5 and 10° Adjustable tilt angle: 0, -5 and -10°
Weight	Mini: 6.5 kg Medium: 10.5 kg Large: 14.2 kg
SCx	Mini: 0.024 m ² max Medium: 0.031 m ² max Large: 0.039 m ² max

Jargeau 400 gen2 LED

Technical specifications

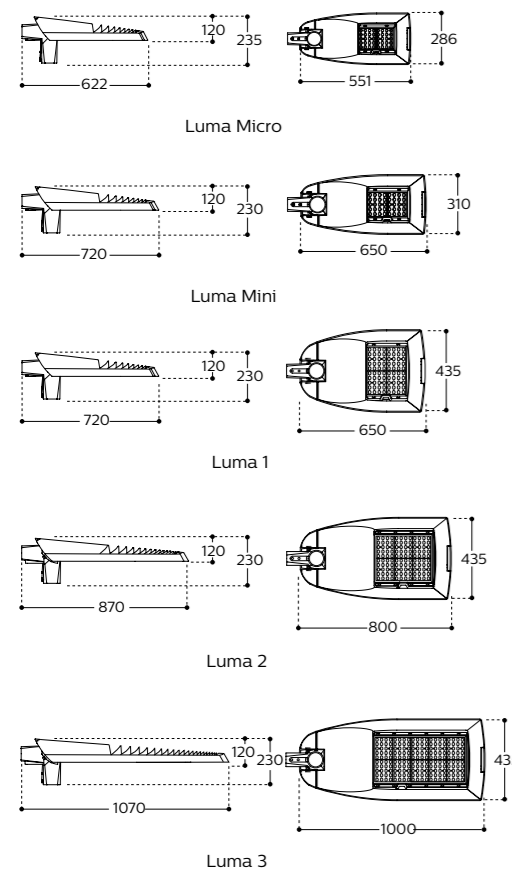


Jargeau 400 gen2 LED

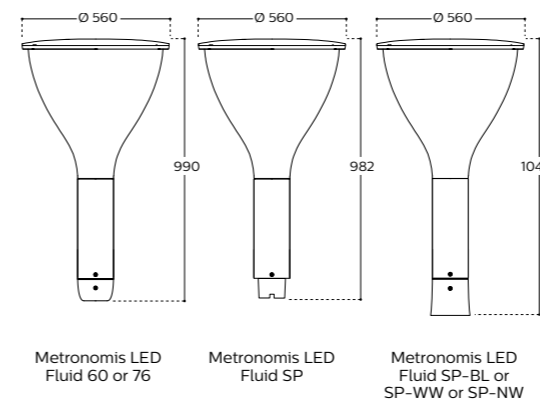


Jargeau 400 gen2 LED suspended

Type	Jargeau 400 gen2 LED
IP rating	IP44 / IP66 (LED module)
IK rating	IK06
Light source	Build-in LED module
Power	From 13 W to 87 W
Colour temperature	3000 K (WW) 4000 K (NW)
Colour rendering index	80 (WW) 75 (NW)
Luminous flux	From 798 to 6,201 lm (WW) From 941 to 7,176 lm (NW)
Lumen maintenance	95,000 hours at L80B10 for 250 / 350 mA 70,000 hours at L80B10 for 500 mA 50,000 hours at L80B10 for 700 mA
Luminaire efficacy	Up to 103 lm/W depending on configurations
Controls system input	1-10 V, DALI
Intelligence control	LumiStep, DynaDimmer, Constant Light Output (CLO), SDU, StarSense RF Wireless, CityTouch Ready
Optics	Optiflux, R2 (Narrow ME), R4 (Medium S), R6 (Extra Wide S) and R7 (Narrow S), Distribution Symmetrical
Optical element	Flat Glass
Material	Housing: gravity die-cast aluminium, non-corrosive Bowl: clear PPMA bowl with sanded bottom Lens: PMMA
Colour	Textured black Other RAL and Akzo Nobel Futura colours on request
Installation	Post-top Ø 76 mm incl. adapter Post-top Ø 60 mm incl. adapter Suspended mounting using a brass threaded spigot Ø 34 pdg (1" G) or Ø 27 pdg (3/4" G) Top mounting for brass threaded spigot Ø 34 pdg (1" G) or Ø 27 pdg (3/4" G)
Weight	18.5 kg
SCx	0.245 m ²



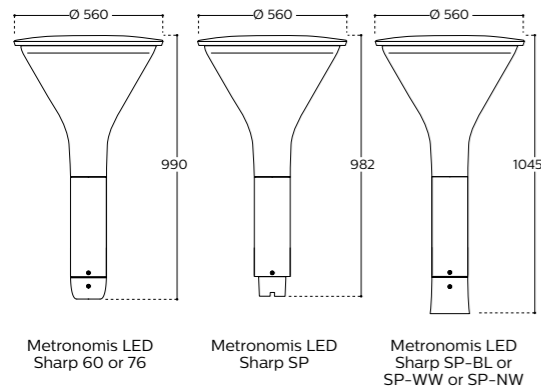
Type	BGP615 (Luma Micro) BGP621 (Luma Mini) BGP623 (Luma 1) BGP625 (Luma 2) BGP627 (Luma 3)
IP rating	IP66
IK rating	IK09
Light source	Integral LED Module
Power	Luma Micro: 12 W to 46 W Luma Mini: 10 W to 90 W Luma 1: 15 W to 180 W Luma 2: 40 W to 270 W Luma 3: 68 W to 446 W depending on configuration
Colour temperature	3000 K (WW) 4000 K (NW) 5700 K (CW), not Luma Micro
Colour rendering index	70 (CW, NW) 80 (WW)
Luminous flux	Luma Micro: 1,056 to 4,312 lm Luma Mini: 850 to 11,100 lm Luma 1: 1,400 to 22,150 lm Luma 2: 4,200 to 32,950 lm Luma 3: 6,950 to 54,400 lm
Lumen maintenance	100,000 hours at L80B10
Luminaire efficacy	Up to 124 lm/W depending on configuration
Controls system input	1-10 V, DALI
Intelligence control	DynaDimmer, SDU, LumiStep, StarSense RF Wireless, CityTouch Ready, Mains dimming
Optics	Optiflux R1 (Medium < ME1-2), R2 (Narrow ME), R3 (Medium < ME3), R4 (Medium S), R5 (Wide S), R6 (Extra Wide S) and R7 (Narrow S)
Optical element	Flat glass
Material	Housing and spigot: high-pressure die-cast aluminium LM6 quality, non-corrosive Cover: flat toughened glass
Colour	Akzo Nobel Futura Gris 900 Sablé or Akzo Nobel Futura Gris 150 Sablé Other RAL and Akzo Nobel Futura colours on request
Installation	Luma Micro: Post-top and side-entry mounting Ø 62 mm Luma Mini: Post-top Ø 76 mm and side-entry Ø 32- 60 mm / Post-top Ø 60 mm Luma 1: Post-top Ø 76 mm and side-entry Ø 32- 60 mm / Post-top Ø 60 mm Luma 2: Post-top Ø 76 mm and side-entry Ø 42- 60 mm / Post-top Ø 60 mm Luma 3: Post-top Ø 76 mm and side-entry Ø 42- 60 mm / Post-top Ø 60 mm
Weight	Luma Micro: 7.6 kg Luma Mini: 9.5 kg Luma 1: from 11 to 11.5 kg Luma 2: from 14 to 15.5 kg Luma 3: from 19 to 19.5 kg
SCx	Luma Micro: 0.049 m ² Luma Mini: 0.055 m ² Luma 1: 0.057 m ² Luma 2: 0.067 m ² Luma 3: 0.079 m ²



Type	Metronomis LED Fluid
IP rating	IP66
IK rating	IK10
Light source	Build-in LED module round
Power	From 16 W to 130 W
Colour temperature	3000 K (WW) 4000 K (NW)
Colour rendering index	80 (WW) 70 (NW)
Luminous flux	GRN: from 1,400 to 7,100 lm ECO: from 2,250 to 10,650 lm
Lumen maintenance	GRN: 100,000 hours at L80B10 ECO: 70,000 hours at L80B10
Luminaire efficacy	Up to 90 lm/W (WW) Up to 105 lm/W (NW)
Controls system input	1-10 V, DALI
Intelligence control	DynaDimmer, LumiStep, SDU, StarSense RF Wireless, CityTouch Ready
Optics	Metronomis Distribution Medium (MDM), Wide (MDW), Asymmetrical (MDA), Symmetrical (MDS) and Vertical (MDV)
Optical element	Diffusing plate Prismatic plates (Circle, Diamond and Wave)
Material	Housing and top cover: high-pressure aluminium Optical cover: polycarbonate, UV reinforced
Colour	Philips Ultra Dark Grey (10714) Other RAL colours available on request
Installation	Post-top Ø 60 and 76 mm Dedicated to SP mounting for MetroLat, MetroTube, MetroRiginal and MetroWood poles Dedicated to SP-BL, SP-WW or SP-NW mounting for MetroLight pole (Wash light spigot)
Weight	Max 13.5 kg
SCx	0.2016 m ²

Metronomis LED Sharp

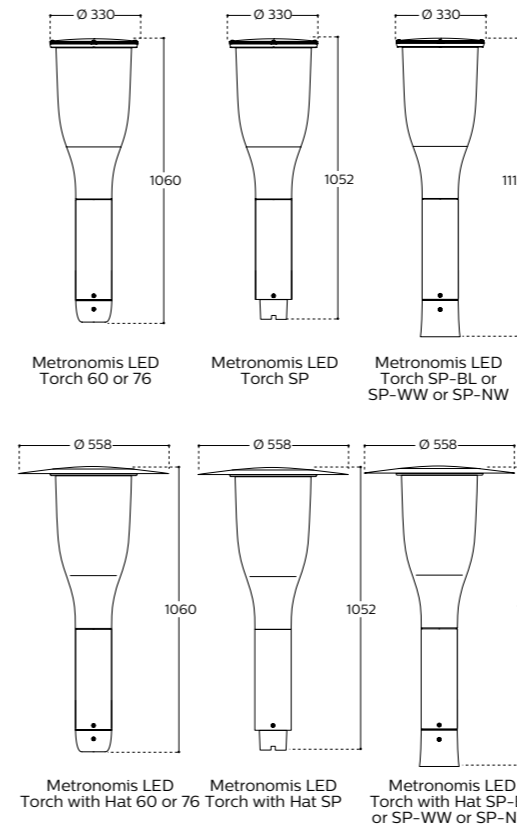
Technical specifications



Type	Metronomis LED Sharp
IP rating	IP66
IK rating	IK10
Light source	Build-in LED module round
Power	From 16 W to 130 W
Colour temperature	3000 K (WW) 4000 K (NW)
Colour rendering index	80 (WW) 70 (NW)
Luminous flux	GRN: from 1,400 to 7,100 lm ECO: from 2,250 to 10,650 lm
Lumen maintenance	GRN: 100,000 hours at L80B10 ECO: 70,000 hours at L80B10
Luminaire efficacy	Up to 90 lm/W (WW) Up to 105 lm/W (NW)
Controls system input	1-10 V, DALI
Intelligence control	DynaDimmer, LumiStep, SDU, StarSense RF Wireless, CityTouch Ready
Optics	Metronomis Distribution Medium (MDM), Wide (MDW), Asymmetrical (MDA), Symmetrical (MDS) and Vertical (MDV)
Optical element	Diffusing plate Prismatic plates (Circle, Diamond and Wave)
Material	Housing and top cover: high-pressure aluminium Optical cover: polycarbonate, UV reinforced
Colour	Philips Ultra Dark Grey (10714) Other RAL colours available on request
Installation	Post-top Ø 60 and 76 mm Dedicated to SP mounting for MetroLat, MetroTube, MetroRiginal and MetroWood poles Dedicated to SP-BL, SP-WW or SP-NW mounting for MetroLight pole (Wash light spigot)
Weight	Max 13.5 kg
SCx	0.1991 m ²

Metronomis LED Torch

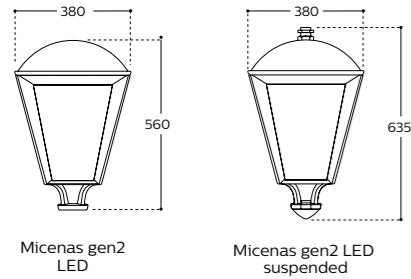
Technical specifications



Type	Metronomis LED Torch Metronomis LED Torch with Hat
IP rating	IP66
IK rating	IK10
Light source	Build-in LED module round
Power	From 15 W to 75 W
Colour temperature	3000 K (WW) 4000 K (NW)
Colour rendering index	80 (WW) 70 (NW)
Luminous flux	GRN: from 1,350 to 4,300 lm ECO: from 2,200 to 6,100 lm
Lumen maintenance	GRN: 100,000 hours at L80B10 ECO: 70,000 hours at L80B10
Luminaire efficacy	Up to 90 lm/W (WW) Up to 100 lm/W (NW)
Controls system input	1-10 V, DALI
Intelligence control	DynaDimmer, LumiStep, SDU
Optics	Metronomis Distribution Medium (MDM), Wide (MDW), Asymmetrical (MDA), Symmetrical (MDS) and Vertical (MDV)
Optical element	Diffusing plate Prismatic plates (Circle, Diamond and Wave)
Material	Housing and top cover: high-pressure aluminium Optical cover: polycarbonate, UV reinforced
Colour	Philips Ultra Dark Grey (10714) Other RAL colours available on request
Installation	Post-top Ø 60 and 76 mm Dedicated to SP mounting for MetroLat, MetroTube, MetroRiginal and MetroWood poles Dedicated to SP-BL, SP-WW or SP-NW mounting for MetroLight pole (Wash light spigot)
Weight	Max 13.5 kg
SCx	Torch: 0.21 m ² Torch with Hat: 0.24 m ²

Micenas gen2 LED

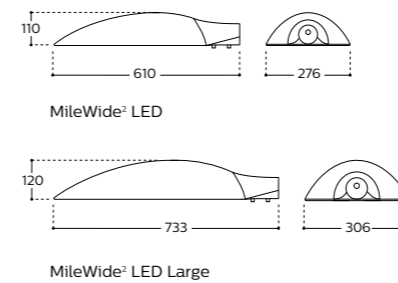
Technical specifications



Type	Micenas gen2 LED
IP rating	IP44 / IP66 LED module
IK rating	IK06
Light source	Build-in LED module
Power	From 13 to 87 W
Colour temperature	3000 K (WW) 4000 K (NW)
Colour rendering index	80 (WW) 75 (NW)
Luminous flux	From 798 to 6,281 lm (WW) From 941 to 7,268 lm (NW)
Lumen maintenance	95,000 hours at L80B10 for 250 / 350 mA 70,000 hours at L80B10 for 500 mA 50,000 hours at L77B10 for 700 mA
Luminaire efficacy	Up to 100 lm/W depending on configurations
Controls system input	1-10 V, DALI
Intelligence control	LumiStep, DynaDimmer, Constant Light Output (CLO), SDU, StarSense RF Wireless, CityTouch Ready
Optics	Optiflux, R2 (Narrow ME), R4 (Medium S), R6 (Extra Wide S) and R7 (Narrow S), Distribution Symmetrical
Optical element	Flat Glass
Material	Housing: gravity die-cast aluminium, non-corrosive Lens: PMMA
Colour	Textured black Other RAL and Akzo Nobel Futura colours on request
Installation	Post-top Ø 76 mm incl. adapter Post-top Ø 60 mm incl. adapter Suspended mounting using a brass threaded spigot Ø 34 pdg (1" G) Top mounting for brass threaded spigot Ø 34 pdg (1" G)
Weight	20.5 kg
SCx	0.109 m ²

MileWide² LED

Technical specifications

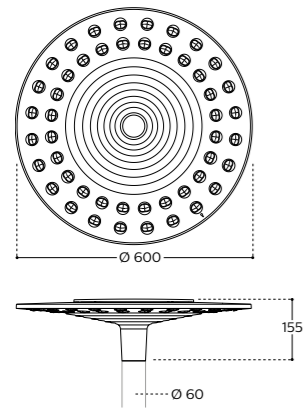


Type	MileWide ² LED MileWide ² LED Large
IP rating	IP66
IK rating	IK08
Light source	LEDGINE
Power	MileWide ² LED: From 17 W to 82 W MileWide ² LED Large: From 60 W to 138 W
Colour temperature	3000 K (WW) 4000 K (NW)
Colour rendering index	80 (WW) 75 (NW)
Luminous flux	MileWide ² LED: From 1,650 to 8,000 lm (WW) From 1,750 to 9,000 lm (NW) MileWide ² LED Large: From 7,300 to 13,300 lm (WW) From 6,600 to 14,800 lm (NW)
Lumen maintenance	GRN: 100,000 hours at L80B10 ECO: 70,000 hours at L80B10
Lumen efficacy	From 100 to 130 lm/W
Controls system input	1-10 V, DALI
Intelligence control	DynaDimmer, SDU, LumiStep, StarSense RF Wireless, AmpDim, CityTouch Ready
Optics	Distribution Medium (DM), Wide (DW), Comfort (DC), Distribution Road Wet (DK), Distribution Narrow (DN), Asymmetric (A), Symmetric (S), Distribution Pedestrian crossing (DP-L & DP-R), Distribution Residential Wide (DRW)
Material	Housing: die-cast aluminium, polyester powder coating Optical cover: tempered glass
Colour	Philips Dark Grey Other RAL and Akzo Nobel Futura colours available on request
Installation	Post-top Ø 60 and 76 mm Side-entry Ø 48 mm
Weight	MileWide ² LED: 8.5 - 9 kg MileWide ² LED Large: 12 kg
SCx	MileWide ² LED: 0.049 m ² MileWide ² LED Large: 0.066 m ²



Ocean Ambiance LED

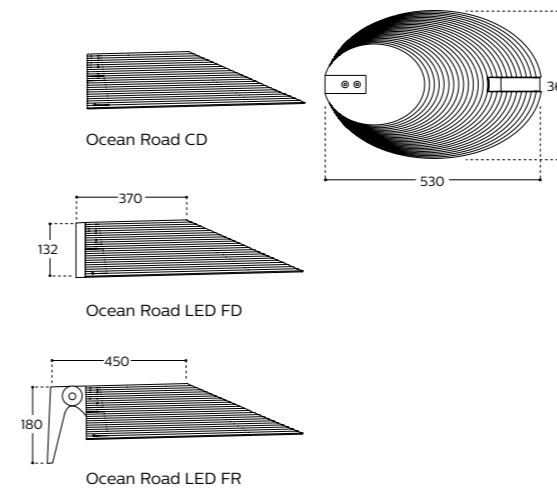
Technical specifications



Type	Ocean Ambiance LED (Road distribution) Ocean Ambiance LED (Area distribution)
IP rating	IP66
IK rating	IK06
Light source	Integral LED module
Power	From 10 W to 110 W depending on configuration
Colour temperature	3000 K (WW) 4000 K (NW)
Colour rendering index	80 (WW) 75 (NW) 70 (CW)
Luminous flux	From 900 to 12,350 lm
Lumen maintenance	100,000 hours at L80B10
Luminaire efficacy	From 92 to 135 lm/W
Controls system input	1-10 V, DALI
Intelligence control	DynaDimmer, SDU
Optics	Wide road optic for S-class (WRN)
Optical element	Micro lens-optic for Road and Area distribution
Material	Housing: die-cast aluminium, non-corrosive Spigot: die-cast aluminium, non-corrosive Lens: PMMA
Colour	Akzo Nobel Futura Silver (housing) and Platine (spigot & pole) Other RAL and Akzo Nobel Futura colours on request
Installation	Post-top Ø 60 mm for dedicated Ocean Ambiance pole
Weight	6.3 kg
SCx	0.03 m ²

Ocean Road LED

Technical specifications

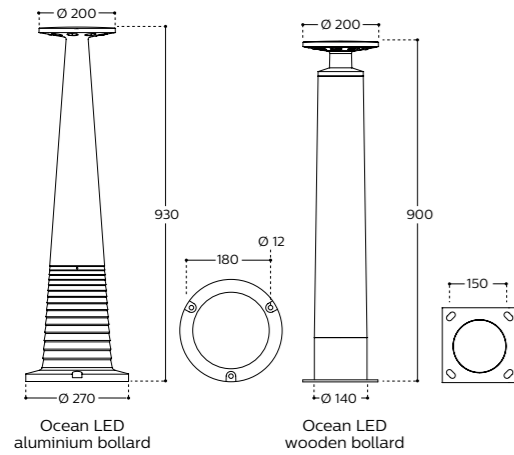


Type	Ocean Road LED CD Ocean Road LED FD Ocean Road LED FR
IP rating	IP66
IK rating	IK06
Light source	Build-in LED module
Power	From 35 W to 70 W
Colour temperature	3000 K (WW) 4000 K (NW)
Colour rendering index	80 (WW) 75 (NW)
Luminous flux	From 2,920 to 5,900 lm
Lumen maintenance	92,000 hours at L80B10 for 250 / 350 mA 47,000 hours at L80B10 for 700 mA
Luminaire efficacy	From 83 to 89 lm/W
Controls system input	1-10 V, DALI
Intelligence control	DynaDimmer, SDU
Optics	Road optic for S-class: Standard (SRN), Narrow (NRN), Wide (WRN)
Optical element	Micro lens-optic for Road distribution
Material	Housing: die-cast aluminium, non-corrosive Lens: PMMA
Colour	Akzo Nobel Futura Platine or Silver Other RAL and Akzo Nobel Futura colours on request
Installation	FD direct mounting system on pole FR direct mounting system on pole, tilt angle 0° to 20° Direct side mounting on CD bracket
Weight	Ocean Road LED CD / FD: 10 kg Ocean Road LED FR: 11 kg
SCx	Ocean Road LED FD: 0.07 m ² Ocean Road LED FR: 0.096 m ² Ocean Road LED CD: 0.07 m ²



Ocean LED bollard

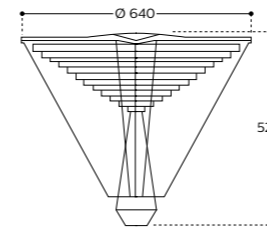
Technical specifications



Type	Ocean LED bollard (aluminium) Ocean LED bollard (wooden)
IP rating	IP66 / IP67 (gear tray)
IK rating	IK06
Light source	Integral LED module
Power	12 W or 21 W
Colour temperature	3000 K (WW) 4000 K (NW)
Colour rendering index	80 (WW) 75 (NW)
Luminous flux	918 or 1,607 lm
Lumen maintenance	GRN: 90,000 hours at L80B10 ECO: 50,000 hours at L80B10
Luminaire efficacy	77 lm/W
Controls system input	1-10 V, DALI
Optics	Wide road optic for S-class (WRN)
Optical element	Micro lens-optic for Area distribution
Material	Bollard: Aluminium, extruded Wood, glue-laminated Lens: PMMA
Colour	Akzo Nobel Futura Platine or Silver Other RAL and Akzo Nobel Futura colours on request
Installation	Base plate
Weight	Max. 8 kg

ParkView LED

Technical specifications

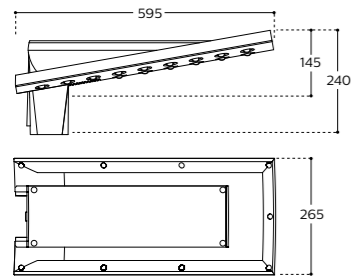


Type	BPS965 (ParkView LED)
IP rating	IP65
IK rating	IK10
Light source	Build-in LED module
Power	From 31 W to 58 W, depending on configuration
Colour temperature	3000 K (WW) 4000 K (NW)
Colour rendering index	80 (WW) 70 (NW)
Luminous flux	From 1,755 to 3,614 lm
Lumen maintenance	70,000 hours at L80B10
Luminaire efficacy	Up to 54.5 lm/W
Controls system input	1-10 V, DALI
Intelligence control	DynaDimmer, LumiStep, AmpDim
Optics	Rotational symmetrical
Material	Bowl: polycarbonate transparent Top cover: aluminium Spigot: aluminium polyester powder coating Louvres: PMMA Inner cone: polycarbonate
Colour	RAL 9010 Other RAL and Akzo Nobel Futura colours on request
Installation	Post-top Ø 60, 70 or 114 mm
Weight	10.5 kg
SCx	0.18 m ²



Stela+ gen2 Long

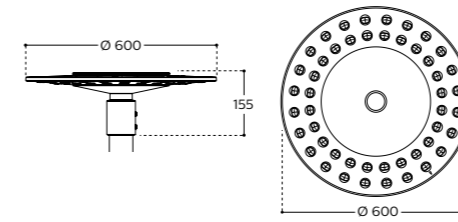
Technical specifications



Type	BPP616 (Stela+ gen2 Long)
IP rating	IP66
IK rating	IK10 (housing)
Light source	Integral LED module
Power	From 8 W to 72 W
Colour temperature	3000 K (WW) 4000 K (NW) 5700 K (CW)
Colour rendering index	80 (WW) 75 (NW) 70 (CW)
Luminous flux	From 750 to 7,700 lm
Lumen maintenance	100,000 hours at L85B10
Luminaire efficacy	From 90 to 119 lm/W
Controls system input	1-10 V, DALI
Intelligence control	DynaDimmer, SDU, LumiStep, StarSense RF Wireless, CityTouch Ready
Optics	Wide road optic for S-class (WRN), Standard road optic for S-class (SRN), Narrow road optic for S-class (NRN), Distribution Pedestrian crossing left (DP-L), Distribution Pedestrian crossing right (DP-R)
Optical element	Micro lens-optic
Material	Housing: die-cast aluminium LM6-quality, non-corrosive Spigot: die-cast aluminium LM6-quality Lens: PMMA
Colour	Akzo Nobel Futura Gris 900 Sablé Other RAL and Akzo Nobel Futura colours on request
Installation	Post-top Ø 76 mm Post-top Ø 60 mm / Side-entry Ø 42-60 mm
Weight	7 kg
SCx	0.05 m ²

Stela+ gen2 Round

Technical specifications

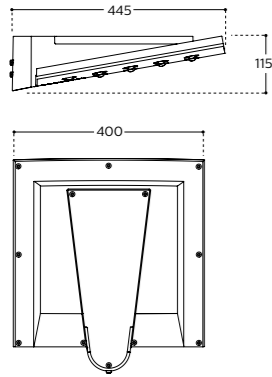


Type	BPP610 (Stela+ gen2 Round)
IP rating	IP66
IK rating	IK10 (housing)
Light source	Integral LED module
Power	From 10 W to 110 W
Colour temperature	3000 K (WW) 4000 K (NW) 5700 K (CW)
Colour rendering index	80 (WW) 75 (NW) 70 (CW)
Luminous flux	From 900 to 12,350 lm
Lumen maintenance	100,000 hours at L85B10
Luminaire efficacy	From 92 to 135 lm/W
Controls system input	1-10 V, DALI
Intelligence control	DynaDimmer, SDU, LumiStep, StarSense RF Wireless, CityTouch Ready
Optics	Wide road optic for S-class (WRN), Standard road optic for S-class (SRN), Narrow road optic for S-class (NRN), Standard road optic for ME-class (MRN), Distribution Pedestrian crossing left (DP-L), Distribution Pedestrian crossing right (DP-R)
Optical element	Micro lens-optic
Material	Housing: die-cast aluminium LM6-quality, non-corrosive Spigot: die-cast aluminium LM6-quality Lens: PMMA
Colour	Akzo Nobel Futura Gris 900 Sablé Other RAL and Akzo Nobel Futura colours on request
Installation	Post-top Ø 76 mm Post-top Ø 60 mm, incl adapter
Weight	7.5 kg
SCx	0.065 m ²



Stela+ gen2 Square

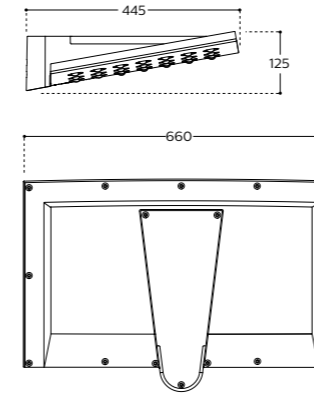
Technical specifications



Type	BPP614 (Stela+ gen2 Square)
IP rating	IP66
IK rating	IK10 (housing)
Light source	Integral LED module
Power	From 8 W to 43 W
Colour temperature	3000 K (WW) 4000 K (NW) 5700 K (CW)
Colour rendering index	80 (WW) 75 (NW) 70 (CW)
Luminous flux	From 750 to 4,650 lm
Lumen maintenance	100,000 hours at L85B10
Luminaire efficacy	From 90 to 119 lm/W
Controls system input	1-10 V, DALI
Intelligence control	DynaDimmer, SDU, LumiStep, StarSense RF Wireless, CityTouch Ready
Optics	Wide road optic for S-class (WRN), Standard road optic for S-class (SRN), Narrow road optic for S-class (NRN), Standard road optic for ME-class (MRN), Distribution Pedestrian crossing left (DP-L), Distribution Pedestrian crossing right (DP-R)
Optical element	Micro lens-optic
Material	Housing: die-cast aluminium LM6-quality, non-corrosive Spigot: die-cast aluminium LM6-quality Lens: PMMA
Colour	Akzo Nobel Futura Gris 900 Sablé Other RAL and Akzo Nobel Futura colours on request
Installation	Post-top Ø 76 mm Post-top Ø 60 mm, incl adapter
Weight	5.3 kg
SCx	0.04 m ²

Stela+ gen2 Wide

Technical specifications

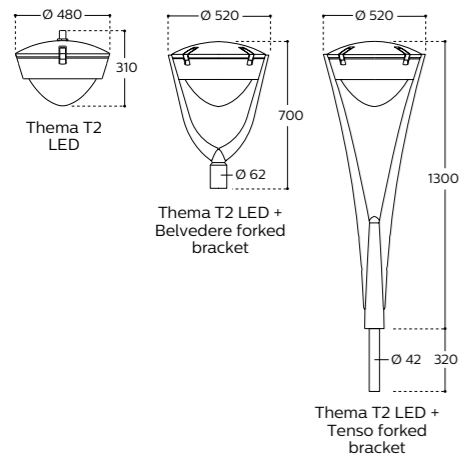


Type	BPP612 (Stela+ gen2 Wide)
IP rating	IP66
IK rating	IK10 (housing)
Light source	Integral LED module
Power	From 18 W to 119 W
Colour temperature	3000 K (WW) 4000 K (NW) 5700 K (CW)
Colour rendering index	80 (WW) 75 (NW) 70 (CW)
Luminous flux	From 1,750 to 13,250 lm
Lumen maintenance	100,000 hours at L85B10
Luminaire efficacy	From 91 to 125 lm/W
Controls system input	1-10 V, DALI
Intelligence control	DynaDimmer, SDU, LumiStep, StarSense RF Wireless, CityTouch Ready
Optics	Wide road optic for S-class (WRN), Standard road optic for S-class (SRN), Narrow road optic for S-class (NRN), Standard road optic for ME-class (MRN), Distribution Pedestrian crossing left (DP-L), Distribution Pedestrian crossing right (DP-R)
Optical element	Micro lens-optic
Material	Housing: die-cast aluminium LM6-quality, non-corrosive Spigot: die-cast aluminium LM6-quality Lens: PMMA
Colour	Akzo Nobel Futura Gris 900 Sablé Other RAL and Akzo Nobel Futura colours on request
Installation	Post-top Ø 76 mm Post-top Ø 60 mm, incl adapter
Weight	8.2 kg
SCx	0.06 m ²



Thema T2 LED

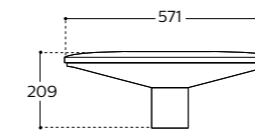
Technical specifications



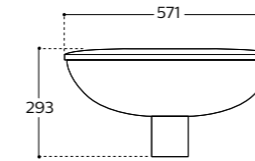
Type	Thema T2 LED (S with or without bowl) Thema T2 LED Tenso forked bracket (with or without bowl) Thema T2 LED Belvedere forked bracket (with or without bowl)
IP rating	IP66
IK rating	IK06 IK10 (PMMA bowl) IK07 (flat glass bowl)
Light source	Build-in LED module
Power	From 19 W to 70 W
Colour temperature	3000 K (WW) 4000 K (NW)
Colour rendering index	80 (WW) 75 (NW)
Luminous flux	From 2,350 to 7,000 lm
Lumen maintenance	92,000 hours at L80B10 for 250 / 350 mA 70,000 hours at L80B10 for 500 mA 46,000 hours at L80B10 for 700 mA
Controls system input	1-10 V, DALI
Intelligence control	DynaDimmer, SDU
Optics	Directa Narrow, Standard and Wide optic
Optical element	Micro lens-optic
Material	Housing: die-cast aluminium, non-corrosive Forked bracket: injected aluminium Lens: PMMA Bowl: PMMA or toughened flat glass
Colour	Akzo Nobel Futura Gris 400 Sablé Other RAL and Akzo Nobel Futura colours on request
Installation	Suspended mounting with brass spigot Ø 34pdg (1") Post-top Ø 60 mm Belvedere forked bracket Post-top Ø 90 mm Tenso forked bracket
Weight	Thema T2 LED: 10.5 kg Thema T2 LED Tenso: 15 kg Thema T2 LED Belvedere: 14 kg
SCx	Thema T2 LED: 0.17 m ² Thema T2 LED Belvedere/Tenso: 0.17 m ²

TownGuide Performer

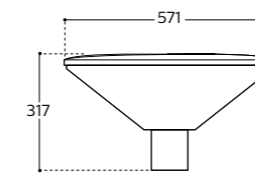
Technical specifications



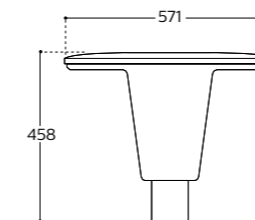
Flat Cone BDP100



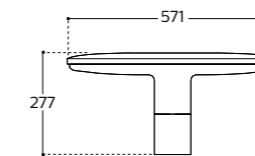
Bowl BDP101



Classic Cone BDP102



Classic T BDP103

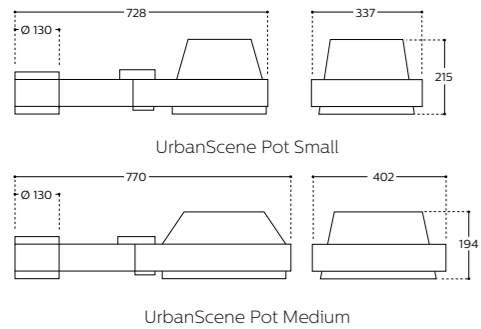


T BDP104 / Tzero BDP105

Type	BDP100 (Flat Cone version) BDP101 (Bowl version) BDP102 (Classic Cone version) BDP103 (Classic T version) BDP104 (T version) BDP105 (Tzero version)
IP rating	IP66
IK rating	IK10
Power	From 10 W to 110 W, depending on LED configuration and colour temperature
Colour temperature	3000 K (WW) 4000 K (NW)
Colour rendering index	≥ 80
Luminous flux	GRN: 12, 15, 20, 25, 30, 35, 40, 50, 60 or 70 lm ECO: 40, 50, 60, 70, 80, 90, 10, 110 or 120 lm
Lumen maintenance	GRN: 100,000 hours at L80B10 ECO: 70,000 hours at L80B10
Luminaire efficacy	GRN: 84-112 lm/W (for clear bowl; 4000 K version, depending on configuration) ECO: 89-98 lm/W (for clear bowl; 4000 K version, depending on configuration)
Intelligence control	SDU-LineSwitch, DynaDimmer, LumiStep, StarSense RF Wireless, CityTouch Ready
Optics	Distribution Wide (DW), Distribution Narrow (DN), Distribution Medium (DM), Distribution Symmetrical (DS), Distribution Residential Wide (DRW)
Optical element	Polycarbonate cover clear (PCC) or frosted (PCF).
Material	Canopy and spigot: high-pressure die-cast aluminium Cover: impact-resistant UV-stabilized polycarbonate
Colour	Silver Grey (RAL 9006), Grey Aluminium (RAL 9007), Black (RAL 9005), Light Grey (RAL 7035), Other RAL or Akzo Nobel Futura colours available on request
Installation	Post-top mounting: axial entry Ø 48-76 mm (48P, 62P or 76P). Special adapter for post-top Ø 90 mm (in combination with Ø 62 mm spigot). Spigot size adapter to reduce Ø 76mm spigot to Ø 60 mm Recommended installation height: 4-6 m
Weight	From 6.1 to 8.4 kg, depending on version and chosen luminous flux
SCx	Flat Cone: 0.051 m ² Bowl: 0.095 m ² Classic Cone: 0.088 m ² Classic T: 0.093 m ² T and Tzero: 0.053 m ²

UrbanScene Pot

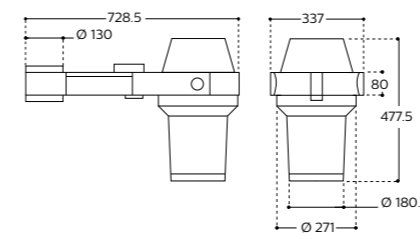
Technical specifications



Type	CGP700 (UrbanScene Pot Small) CGP705 (UrbanScene Pot Medium)
IP rating	UrbanScene Pot Small: IP 66 UrbanScene Pot Medium: IP 65
IK rating	IK08
Power	UrbanScene Pot Small: MASTERColour CDM-Tm Mini / PGJ5 / 20 W MASTERColour CDM-T / G12 / 35, 70, 150 W MASTER SDW-T / PG12-1 / 50, 100 W MASTER CosmoWhite CPO-TW / PGZ12 / 45, 60, 90W UrbanScene Pot Medium: MASTERColour CDM-T / G12 / 35, 70, 150 W MASTERColour CDM-TD / RX7s / 70, 150 W MASTER CosmoWhite CPO-TW / PGZ12 / 45, 60, 90W MASTER SON-T PIA Plus / E40 / 100, 150, 250, 300 W MASTER CDO-TT 70, 100W E27, E40
Optics	UrbanScene Pot Small: Flood optic: Symmetrical 4° (4), 10° (10), 20° (20), 40° (40), 60° (60) Road optic: CosmoPolis Open Optic R60 only for CPO-TW (OOC) UrbanScene Pot Medium: Asymmetrical for CDM-TD, version (A) Road optic: Mini T-Pot for CDM-T, version (TP-S) / CosmoPolis Open Optic R60 for CPO-TW, version (OOC) / CT-Pot for SON-T, CDO-TT, E27, E40, version (OR)
Optical element	UrbanScene Pot Small: Flat glass (FG), Flat glass with DynaClean (FGD), Glass beam softener (BSO), Fine-ridged glass (LBSP), Barndoors (BD) UrbanScene Pot Medium: Flat glass (FG)
Material	Housing and cover: high-pressure, die-cast aluminium Cover: thermally hardened glass Reflectors: anodized aluminium
Colour	Canopy: Philips Dark Grey (close to RAL 7022) Frame: Philips Silver Grey (close to RAL 9006) Other RAL and Akzo Nobel Futura colours available on request
Installation	Installation at any position on a 76 or 90 mm pole with short 520 mm bracket (MBPD76-L520, MBP-D90-L520) or with long 1200 mm bracket (MBP-D76-L1200, MBPD90-L1200) Wall-mounting with short or long bracket (MBW-L520 or MBW-L1200)
Accessories	For UrbanScene Pot Small only (CGP700) Solgel filters: Magenta (SGF-MG), green (SGF-GN), blue (SGF-BL), light blue (SGF-LBL), yellow (SGF-YE) Filters: Warmer (WAF1/WAF2/WAF3), cooler (COF2/COF3/COF4) / Glare shieldings: Glare Shield (GS), Internal (half) round louver (RL/HRL)
Weight	UrbanScene Pot Small: 9.3 - 10.5 kg UrbanScene Pot Medium: 12.3 - 13.6 kg
SCx	UrbanScene Pot Small: 0.086 m² UrbanScene Pot Medium: 0.095 m²

UrbanScene Gobo projector

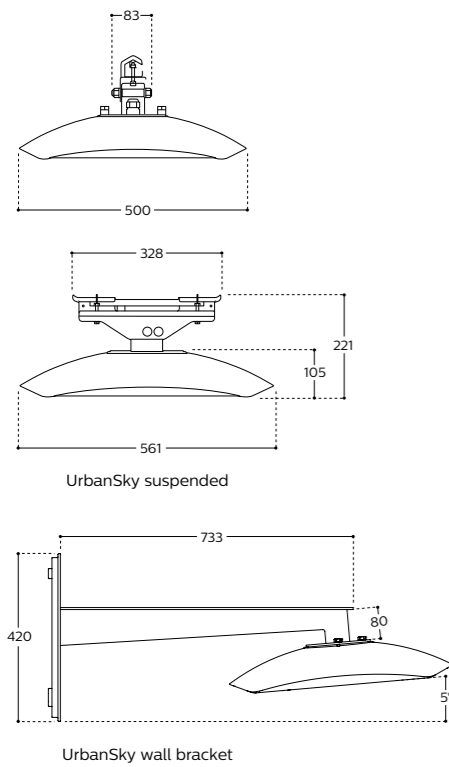
Technical specifications



Type	CGP701 (UrbanScene Gobo projector)
IP rating	IP66
IK rating	IK08
Power	MASTERColour CDM-T / G12 / 70 W MASTERColour CDM-T Elite / G12 / 150 W MASTERColour CDM-SA / T / G12 / 150 W
Optics	Symmetric 2 x 16°
Optical element	Diaphragm shutters
Material	Housing and cover: high-pressure, die-cast aluminium Cover: thermally hardened glass Reflectors: anodized aluminium
Colour	Housing (CO): Philips Dark Grey (close to RAL 7022) Frame: Philips Silver Grey (close to RAL 9006) Other RAL and Akzo Nobel Futura colours available on request
Installation	Installation at any position on a 76 or 90 mm pole with short 520 mm bracket (MBPD76-L520, MBP-D90-L520) Wall-mounting with short bracket (MBW-L520)
Accessories	Solgel filters: green (SGF-G), blue (SGF-B), light blue (SGF-LBL), yellow (SGF-E) Filters: red (F-RD), warmer (WAF1), cooler (COF2) Glare shieldings: internal louver (RL), visor glare shield (GS)
Weight	13.5-14 kg
SCx	0.115 m²

UrbanSky

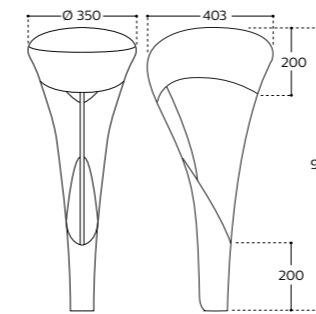
Technical specifications



Type	BSP390 (UrbanSky)
IP rating	IP66
IK rating	IK07
Power	GRN: 16-81 W ECO: 20-138 W
Colour temperature	3000 K (WW) 4000 K (NW)
Colour rendering index	≥ 84 (WW) ≥ 76 (NW)
Luminous flux	GRN: From 1,530 to 7,870 lumen ECO: From 1,840 to 11,850 lumen
Lumen maintenance	GRN: 100,000 hours at L80B10 ECO: 70,000 hours at L80B10
Luminaire efficacy	GRN: From 77 to 103 lm/W ECO: From 80 to 114 lm/W
Intelligence control	LumiStep (LS), DynaDimmer (DDF), External Controls system input 1-10 V (D7/D9), Starsense RF Wireless
Controls system input	1-10 V, DALI
Optic	Symmetrical narrow beam
Material	Housing: high-pressure, die-cast aluminium, non-corrosive Optical cover: PMMA Gear tray: aluminium, white painted
Colour	Philips Signal Grey, Philips Grey (10715) Other RAL and Akzo Nobel Futura colours on request
Installation	Suspended, wire mounting Adjustable light distribution: multiple options Pre-cabled luminaire
Weight	16 kg
SCx	0.069 m ²

UrbanStar

Technical specifications



Type	BDS100 (UrbanStar)
IP rating	IP66
IK rating	IK08
Light source	Integral LED-module
Power	From 11 W to 40 W (WW) From 12 W to 40 W (NW) depending on configuration
Colour temperature	3000 K (WW) 4000 K (NW)
Colour rendering index	80 (WW) 70 (NW)
Luminous flux	GRN: From 925 to 2,634 lm (WW) ECO: From 1,113 to 3,184 lm (NW)
Lumen maintenance	70,000 hours at L80B10
Luminaire efficacy	Up to 90 lm/W
Intelligence control	DynaDimmer, SDU, LumiStep, Constant Light Output (CLO), StarSense RF Wireless, Mains dimming
Controls system input	1-10 V, DALI
Optics	Distribution Residential Wide (DRW), Symmetrical (S)
Material	Base: die-cast aluminium Cone and top: polycarbonate
Colour	Philips Signal Grey, Philips Grey (10715), Philips Green Grey, Philips Blue Grey or Philips Umbra Grey. Other RAL and Akzo Nobel Futura colours on request
Installation	Post-top Ø 60 and 76 mm
Weight	9 kg
SCx	0.155 m ²

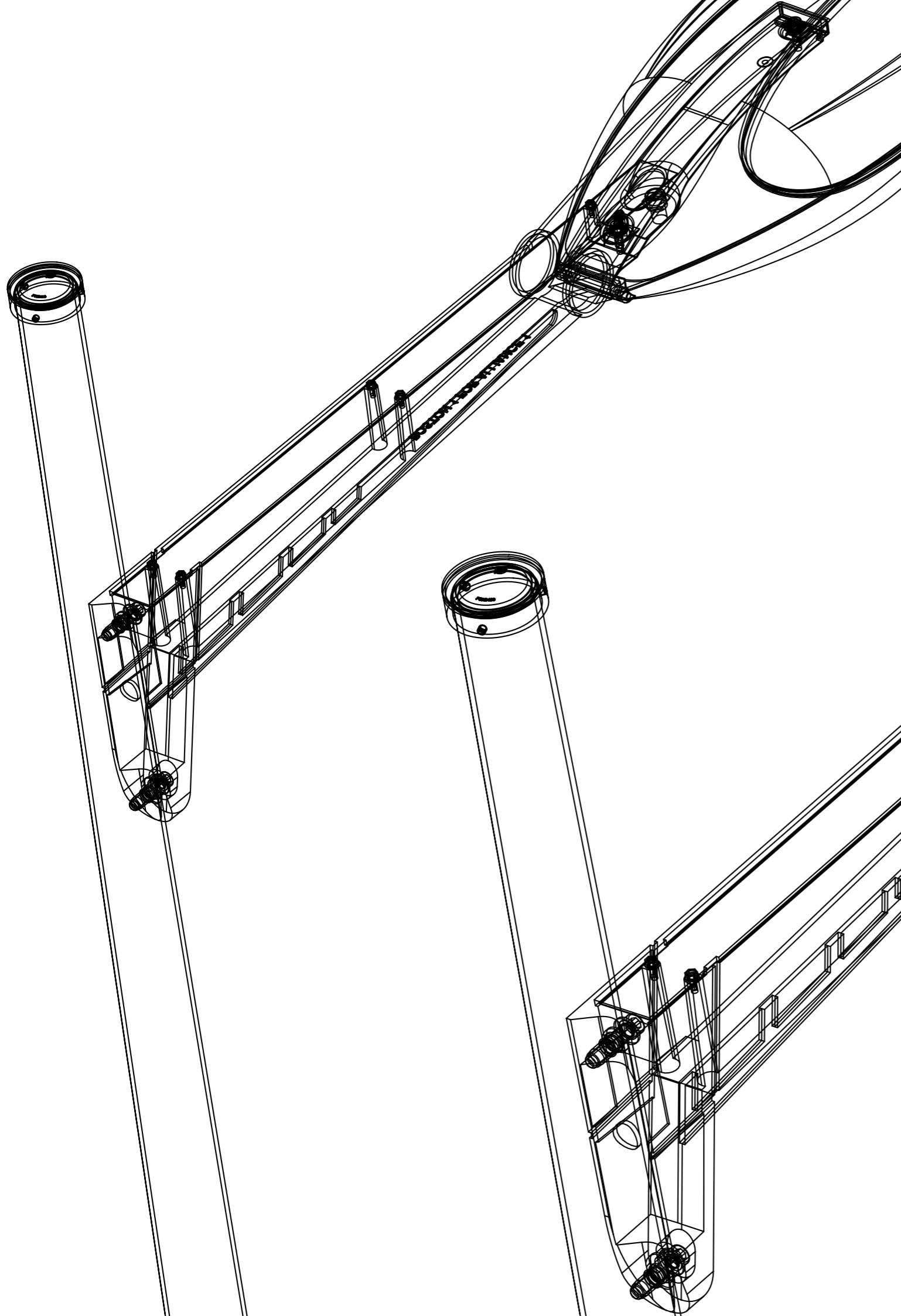


Brackets

With Philips brackets, you have the freedom to create customized inspirational complete set installations, which suits beautifully in urban areas: modern, contemporary or historic city centre applications. From standard brackets that can be used in combination with different luminaires to dedicated brackets specially created for one specific luminaire range.

In this chapter you can find the technical specifications for each bracket, split by dedicated and standard as presented in the Urban Inspirational and Urban Functional chapters.





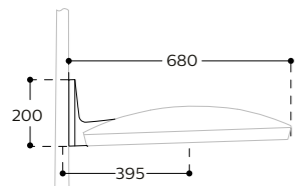
Dedicated brackets

Accent	250	CristalCity	254
Avenue	250	East	255
Belvedere	251	Graphic	255
CityCharm	251	Lyre	256
CityCharm post-top	252	Ocean CD	256
CitySphere	252	Right Curve	257
Constance	253	Sydney	257
ClassicStreet bracket 60	253	Tenso	258
ClassicStreet bracket 76	254		

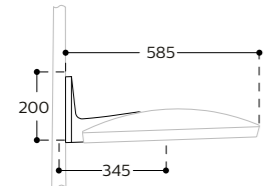


Accent bracket

Technical specifications



Accent + CitySoul gen2 Large

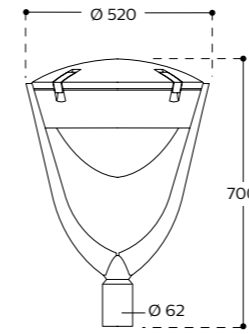


Accent + CitySoul gen2 Mini

Material	Aluminium
Mounting to luminaire	Dedicated CitySoul gen2 LED Mini and Large
Bracket types	Pole mounting bracket
Mounting to support	Pole side-entry with 2 points, fixing centre 105.5 mm
Tilt angle	2°
Finish	Philips Ultra Dark Grey (close to RAL 7022). Other RAL or Akzo Nobel Futura colours available on request.
Certification	CE certification in accordance with standard EN40

Belvedere forking bracket

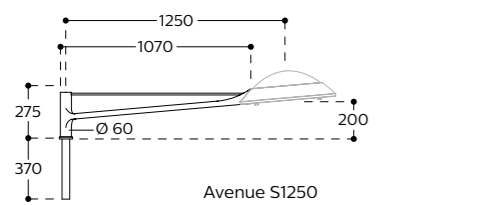
Technical specifications



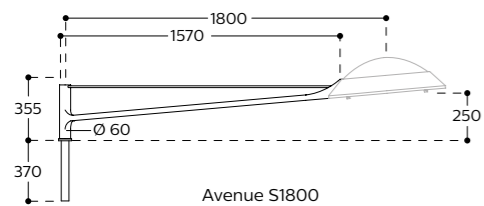
Material	Aluminium
Mounting to luminaire	Cap for top Ø 60 mm poles
Tilt angle	0°
Finish	Akzo Nobel Futura Gris 2900 Sablé Other RAL and Akzo Nobel Futura colours on request
Certification	CE certification in accordance with standard EN40

Avenue bracket

Technical specifications



Avenue S1250

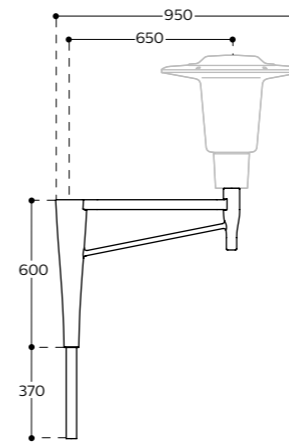


Avenue S1800

Material	Extruded cast aluminium
Mounting to luminaire	Dedicated Harmony LED with D mounting system
Mounting to support	Post-top: tenon mounting. Compatible with Accante conical steel pole (top Ø 60 or 62 mm with 2 x 4 threaded holes) Rear bracket: mounting with 2 points, fixing centre 270 mm Wall bracket: mounting with 3 points, fixing centre 110 x 310 mm
Certification	CE certification in accordance with standard EN40

CityCharm bracket

Technical specifications



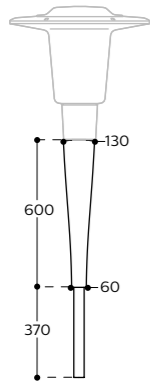
CityCharm S650

Material	Aluminium
Mounting to luminaire	Single or double-arm bracket Post-top tenon for top Ø 60 mm poles Wall-mounting bracket with three M10 points and fixing centre 90 mm x 270 mm
Tilt angle	0°
Finish	Satin Silver Grey (close to RAL 9006) Philips Ultra Dark Grey (close to RAL 7022) Other RAL or Akzo Nobel Futura colours available on request
Certification	CE certification in accordance with standard EN40



CityCharm post-top bracket

Technical specifications

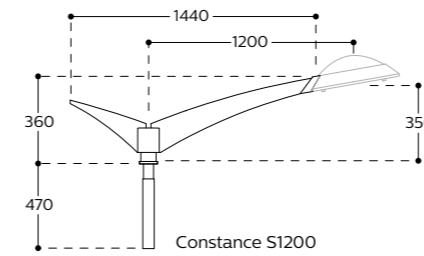


CityCharm post top bracket

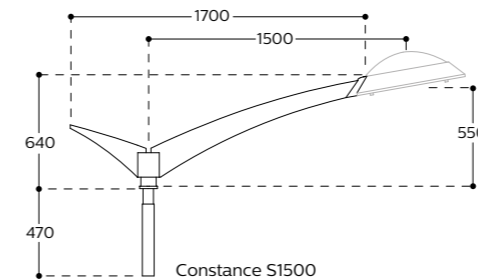
Material	Aluminium
Mounting to luminaire	Post-top tenon for top Ø 60 mm poles
Tilt angle	0°
Finish	Satin Silver Grey (close to RAL 9006) Philips Ultra Dark Grey (close to RAL 7022) Other RAL or Akzo Nobel Futura colours available on request
Certification	CE certification in accordance with standard EN40

Constance bracket

Technical specifications



Constance S1200

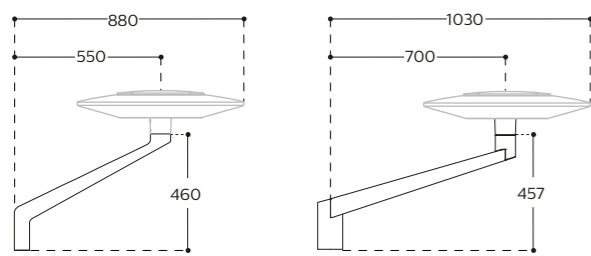


Constance S1500

Material	Cast aluminium
Mounting to luminaire	Dedicated Harmony LED with D mounting system
Mounting to support	Post-top: tenon mounting. Compatible with Accante conical steel pole (top Ø 89 mm with 2x4 threaded holes) or Aloa conical aluminium pole (top Ø 90 mm with 2x4 inserts) Rear bracket: mounting with 2 points, fixing centre 260 mm Wall bracket: mounting with 3 points, fixing centre 110x310 mm
Tilt angle	10°
Finish	Polyester coating in RAL colours or Akzo Nobel Futura colours
Certification	CE certification in accordance with standard EN40

CitySphere bracket

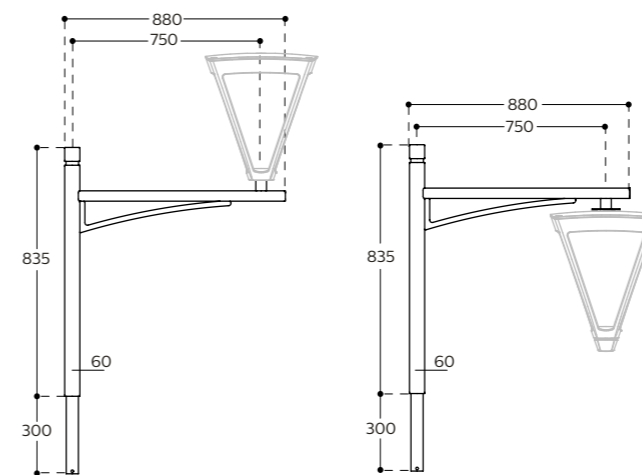
Technical specifications



Material	Aluminium
Mounting to luminaire	Post-top Ø 60 mm
Mounting to support	Single or double-arm bracket Post-top tenon for top Ø 60 mm poles or post-top cap for top Ø 76 mm poles Wall-mounting bracket with three points and fixing centre 120 mm x 120 mm (Bracket 60), 160 mm x 120 mm (Bracket 76)
Tilt angle	0°
Finish	Philips Dark Grey (close to RAL 7022)
Certification	CE certification in accordance with standard EN40

ClassicStreet bracket 60

Technical specifications



ClassicStreet post-top bracket for Ø 60 mm

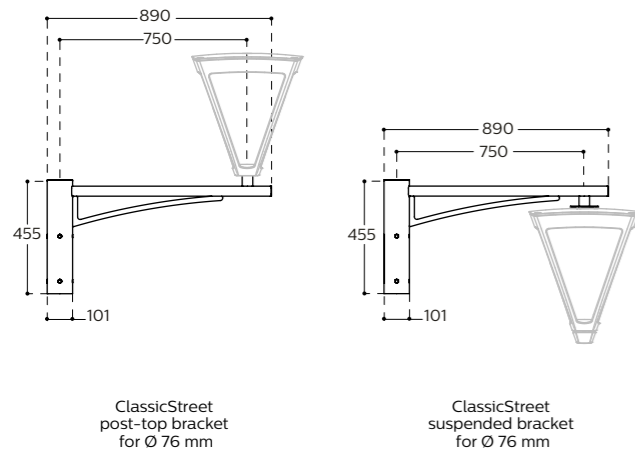
ClassicStreet suspended bracket for Ø 60 mm

Material	Steel
Mounting to luminaire	Dedicated interface post top or suspended
Mounting to support	Single or double arm bracket tenon for pole top Ø 60 mm Pole mounting bracket mounting with 2 points and fixing centre 240 mm
Tilt angle	0°
Finish	Black N9 or Philips Ultra Dark Grey, other RAL colours available on request
Certification	CE certification in accordance with standard EN40



ClassicStreet bracket 76

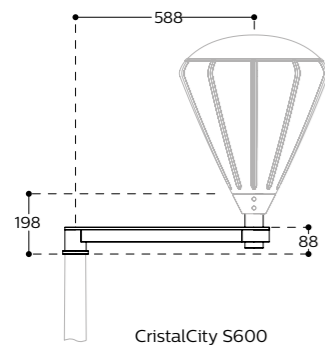
Technical specifications



Material	Steel
Mounting to luminaire	Dedicated interface post top or suspended
Mounting to support	Single or double arm bracket cap for pole top Ø 76 mm Pole mounting bracket mounting with 2 points and fixing centre 240 mm
Tilt angle	0°
Finish	Black N9 or Philips Ultra Dark Grey, other RAL colours available on request
Certification	CE certification in accordance with standard EN40

CristalCity bracket

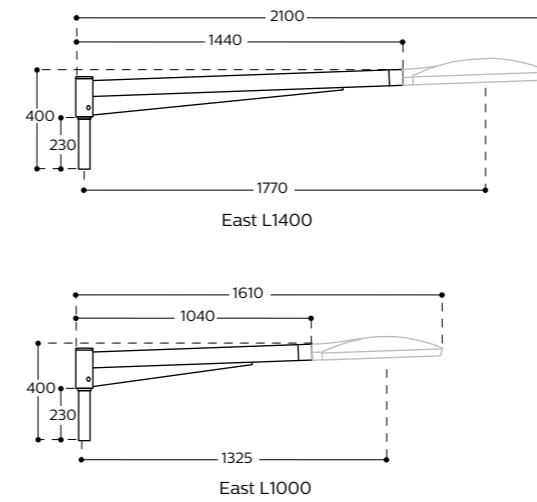
Technical specifications



Material	Steel
Installation type	Single, double, rear bracket, wall mounting bracket
Mounting to luminaire	Dedicated to CristalCity with a stainless steel accessory or post-top Ø 60 mm
Mounting to support	Post-top: tenon mounting. Compatible with Accante conical steel pole (top Ø 60 or 62 mm with 2 x 4 threaded holes) Wall bracket: mounting with 3 points, fixing centre 110 x 310 mm. 2 versions available: with or without gear box CLII integrated
Tilt angle	0°
Finish	Polyester coating in RAL or Akzo Nobel Futura colours. Standard colour: Philips Ultra Dark Grey (10714)
Certification	CE certification in accordance with standard EN40

East bracket

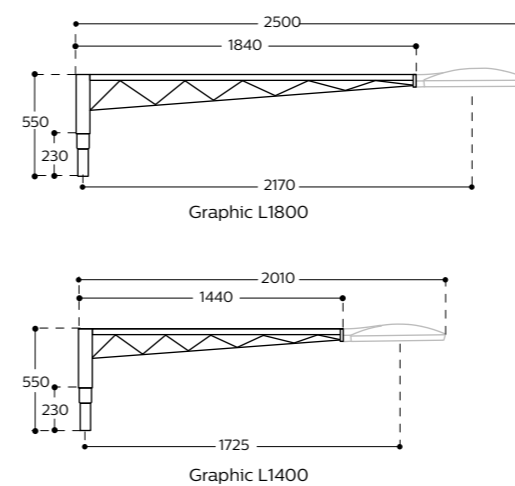
Technical specifications



Material	Aluminium
Mounting to luminaire	Dedicated CitySoul gen2 LED Mini and Large
Bracket types	Single arm, double arm, rear arm (500 mm) and wall mounting brackets (500 mm and 1000 mm)
Mounting to support	Post-top tenon or cap for poles top Ø 76 mm Rear bracket / Wall bracket: 2 points, fixing centre 200 mm
Tilt angle	2°
Finish	Ultra Dark Grey (close to RAL 7022). Other RAL or Akzo Nobel Futura colours available on request.
Certification	CE certification in accordance with standard EN40

Graphic bracket

Technical specifications

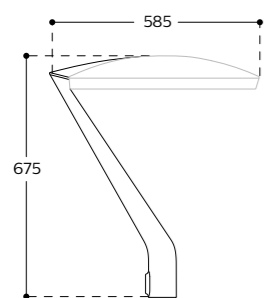


Material	Steel
Mounting to luminaire	Dedicated CitySoul gen2 LED Mini and Large
Bracket types	Single arm, double arm, rear arm (500 mm) and wall mounting brackets (500 mm and 1000 mm)
Mounting to support	Post-top tenon or cap for poles top Ø 76 mm Rear bracket / Wall bracket: 2 points, fixing centre 200mm
Tilt angle	0°
Finish	Philips Ultra Dark Grey (close to RAL 7022). Other RAL or Akzo Nobel Futura colours available on request.
Certification	CE certification in accordance with standard EN40



Lyre bracket

Technical specifications

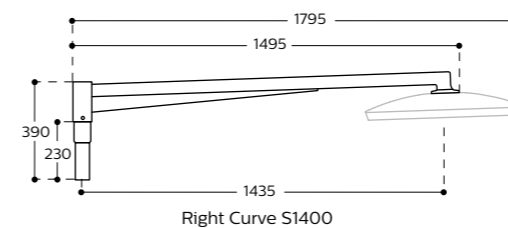


Lyre

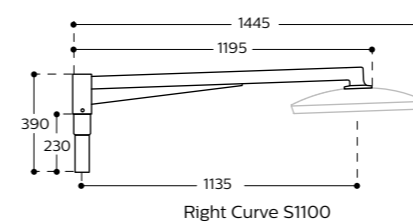
Material	Aluminium
Mounting to luminaire	Dedicated CitySoul gen2 LED Mini
Bracket types	Single arm bracket
Mounting to support	Post-top cap for pole \varnothing 60 mm / Dedicated pole
Tilt angle	2°
Finish	Philips Ultra Dark Grey (close to RAL 7022). Other RAL or Akzo Nobel Futura colours available on request.
Certification	CE certification in accordance with standard EN40

Right Curve bracket

Technical specifications



Right Curve S1400

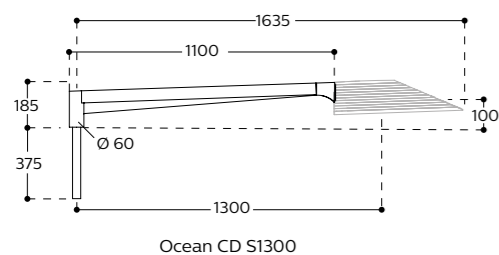


Right Curve S1100

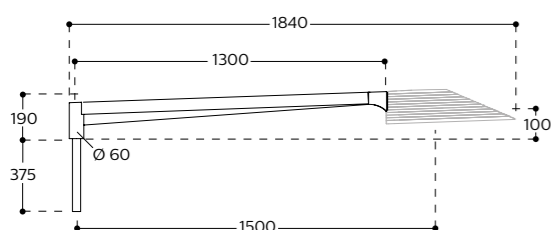
Material	Steel
Mounting to luminaire	Dedicated CitySoul gen2 LED Mini and Large
Installation type	Flange plate
Bracket types	Single arm, double arm, rear arm (500 mm) and wall mounting brackets (750 mm and 1000 mm)
Mounting to support	Post-top tenon or cap for poles top \varnothing 76 mm Rear bracket / Wall bracket: 2 points, fixing centre 170 mm
Tilt angle	2°
Finish	Philips Ultra Dark Grey (close to RAL 7022). Other RAL or Akzo Nobel Futura colours available on request.
Certification	CE certification in accordance with standard EN40

Ocean CD bracket

Technical specifications



Ocean CD S1300

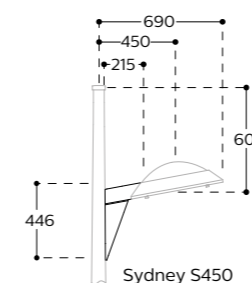


Ocean CD S1500

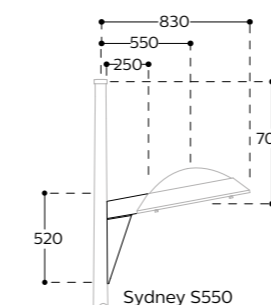
Material	Extruded aluminium and stainless steel
Mounting to luminaire	Dedicated Ocean Road / Ocean Road LED with CD mounting system
Mounting to support	Post-top: tenon mounting. Compatible with Accante conical steel pole (top \varnothing 60 or 62 mm with 2x4 threaded holes) Wall bracket: mounting with 3 points, fixing centre 110x230 mm Rear bracket: with Ocean Road / Ocean Road LED with FD mounting system (see technical part luminaire Ocean Road LED)
Tilt angle	3°
Finish	Polyester coating in RAL colours or Akzo Nobel Futura colours
Certification	CE certification in accordance with standard EN40

Sydney bracket

Technical specifications



Sydney S450



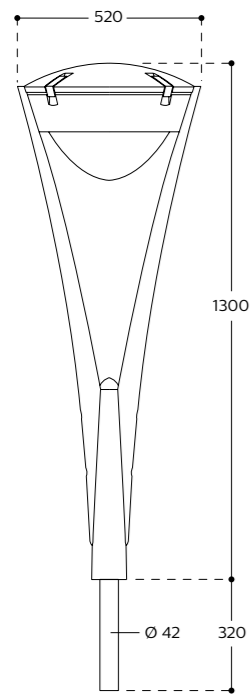
Sydney S550

Material	Cast aluminium
Mounting to luminaire	Dedicated Harmony LED with D mounting system
Mounting to support	Side: mounting with 2 M8 screws, fixing centre 300 mm (Sydney S450), 500 mm (Sydney S550). Compatible with Accante conical steel pole (top \varnothing 60, 62, 76 or 89 mm with inserts) or Aloa conical pole in aluminium (top \varnothing 90 mm with inserts) Wall bracket: mounting with 3 points, fixing centre 110x500 mm
Tilt angle	7° (Harmony 1 LED), 2° (Harmony 2 LED)
Finish	Polyester coating in RAL colours or Akzo Nobel Futura colours
Certification	CE certification in accordance with standard EN40

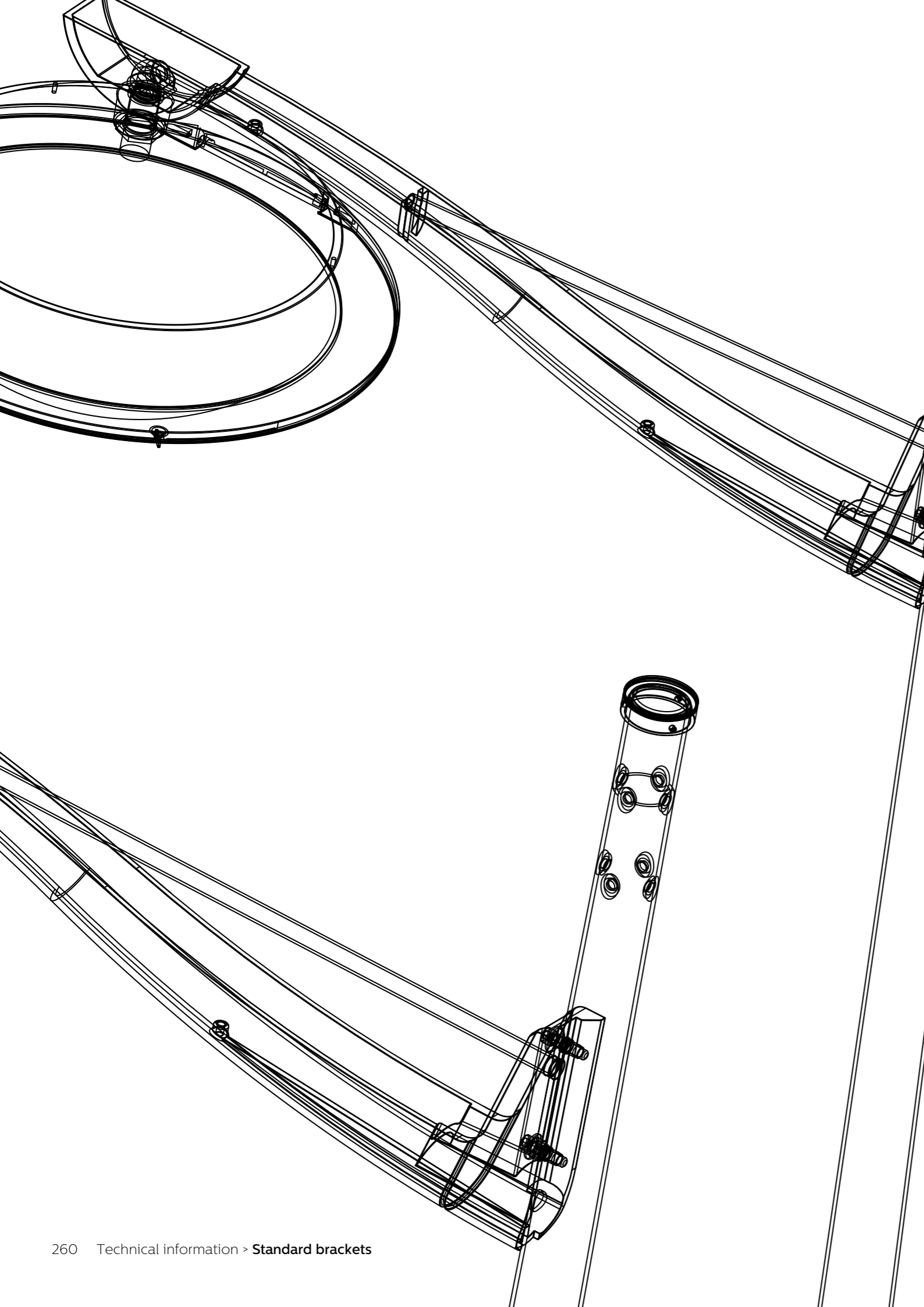


Tenso forked bracket

Technical specifications



Material	Aluminium
Mounting to luminaire	Post-top tenon for top Ø 90 mm standard tubular or conical poles
Tilt angle	0°
Finish	Akzo Nobel Futura Gris 400 Sablé Other RAL and Akzo Nobel Futura colours on request
Certification	CE certification in accordance with standard EN40



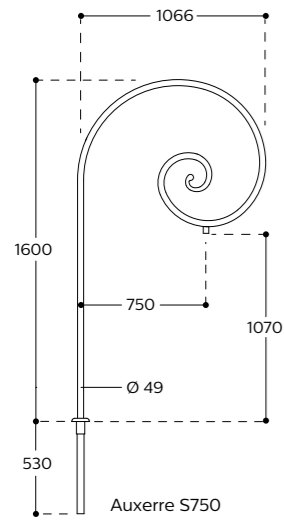
Standard brackets

Auxerre	262	Next	268
Azur	262	Notre-Dame	268
Batio	263	Nuance	269
Caravelle low	263	Ourcelles	269
Comores	264	Plaisance	270
Faro	264	Salvador	270
Féroé	265	Solis	271
Heritage	265	Spline	271
KC	266	Step	272
KR	266	UrbanWave	272
KS	267	Wy	273
Mayotte	267		



Auxerre bracket

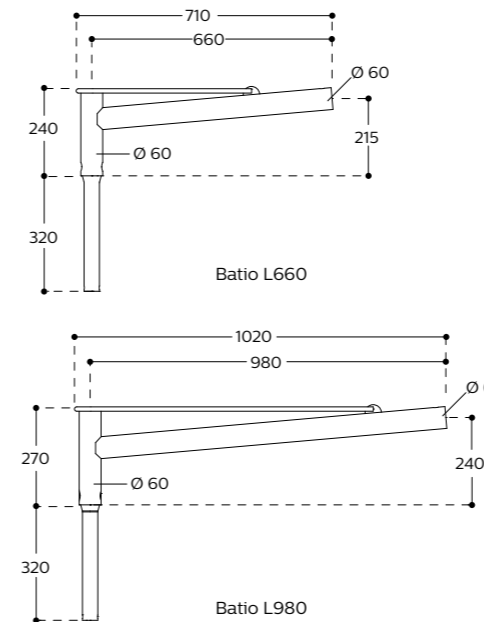
Technical specifications



Material	Steel
Mounting to luminaire	Suspended Ø 27 pdg (3/4" G). Suspended Ø 34 pdg (1" G) as an option
Mounting to support	<p>Post-top: tenon mounting. Compatible with Accante conical steel pole (top Ø 60, 62, 76 or 89 mm with 2x4 threaded holes) or Aloa conical aluminium pole (top Ø 90 mm with 2x4 inserts)</p> <p>Side: mounting with 2 M8 screws, fixing centre 500 mm (Auxerre S500), 750 mm (Auxerre S750) & 900 mm (Auxerre S900). Compatible with Accante conical steel pole (top Ø 60, 62, 76 or 89 mm with inserts) or Aloa conical aluminium pole (top Ø 90 mm with inserts)</p>
Tilt angle	0°
Finish	Polyester coating in RAL colours or Akzo Nobel Futura colours
Certification	CE certification in accordance with standard EN40

Batio bracket

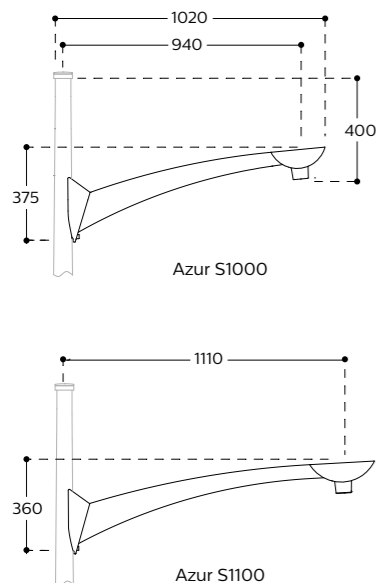
Technical specifications



Material	Steel
Mounting to luminaire	Side-entry Ø 60 mm
Mounting to support	<p>Post-top: tenon mounting. Compatible with Accante conical steel pole (top Ø 60 or 62 mm with 2x4 threaded holes)</p> <p>Rear bracket: mounting with 2 points, fixing centre 200 mm</p> <p>Wall bracket: mounting with 2 points, fixing centre 200 mm</p>
Tilt angle	5°
Finish	Polyester coating in RAL colours or Akzo Nobel Futura colours
Certification	CE certification in accordance with standard EN40

Azur bracket

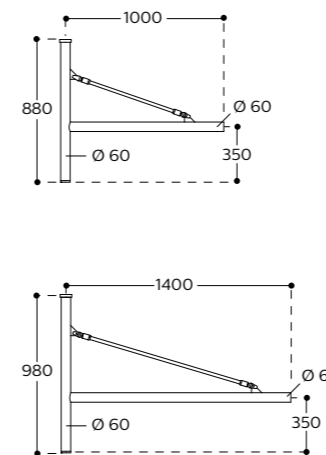
Technical specifications



Material	Cast aluminium
Mounting to luminaire	Suspended Ø 34 pdg (1" G)
Mounting to support	<p>Side: mounting with 2 M10 screws, fixing centre 205 mm. Compatible with Accante conical steel pole (top Ø 60, 62, 76 or 89 mm with inserts) or Aloa conical pole in aluminium (top Ø 90 mm with inserts)</p> <p>Wall bracket: mounting with 3 points, fixing centre 110 x 310 mm</p>
Tilt angle	6°
Finish	Polyester coating in RAL colours or Akzo Nobel Futura colours
Certification	CE certification in accordance with standard EN40

Caravelle low bracket

Technical specifications

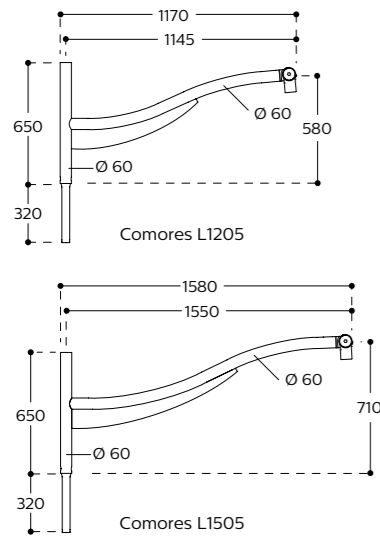


Material	Extruded aluminium
Mounting to luminaire	Side-entry Ø 60 mm and Ø 48 mm. Suspended Ø 34 pdg (1" G) as an option
Mounting to support	<p>Post-top: tenon mounting. Compatible with Accante conical steel pole (top Ø 60 or 62 mm with 2x4 threaded holes)</p> <p>Rear bracket / wall bracket: mounting with 2 points, fixing centre 400 mm (Caravelle low L1000) and 500 mm (Caravelle L1000)</p>
Tilt angle	0°
Finish	Polyester coating in RAL colours or Akzo Nobel Futura colours
Certification	CE certification in accordance with standard EN40



Comores bracket

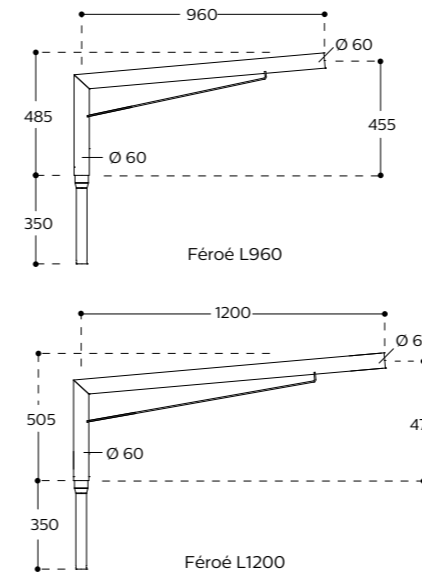
Technical specifications



Material	Steel
Mounting to luminaire	Side-entry Ø 60 and 48 mm or suspended Ø 34 pdg (1" G)
Mounting to support	Post-top: tenon mounting. Compatible with Accante conical steel pole (top Ø 60 or 62 mm with 2x4 threaded holes) Rear bracket / wall bracket: mounting with 2 points, fixing centre 235 mm
Tilt angle	2.3°
Finish	Polyester coating in RAL colours or Akzo Nobel Futura colours
Certification	CE certification in accordance with standard EN40

Féroé bracket

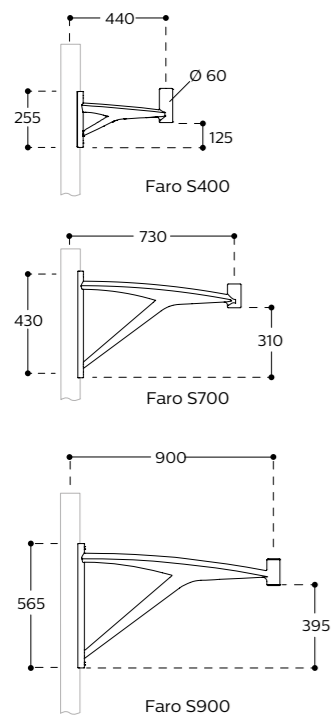
Technical specifications



Material	Steel
Mounting to luminaire	Side-entry Ø 60 mm
Mounting to support	Post-top: tenon mounting. Compatible with Accante conical steel pole (top Ø 60 or 62 mm with 2x4 threaded holes) Rear bracket / wall bracket: mounting with 2 points, fixing centre 280 mm
Tilt angle	5°
Finish	Polyester coating in RAL colours or Akzo Nobel Futura colours
Certification	CE certification in accordance with standard EN40

Faro bracket

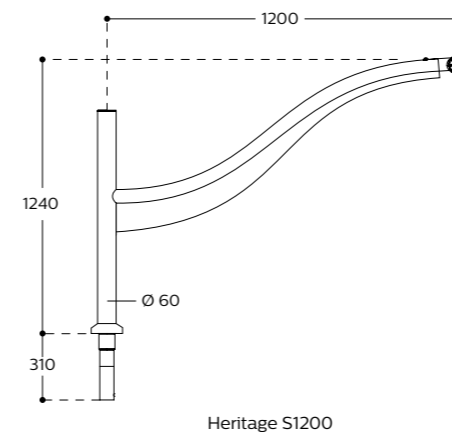
Technical specifications



Material	Cast aluminium
Mounting to luminaire	Post-top or suspended Ø 34 pdg (1" G)
Mounting to support	Rear bracket / wall bracket: mounting with 2 points, fixing centre: 200 mm (Faro S400), 430 mm (Faro S700), 525 mm (Faro S900)
Tilt angle	0°
Finish	Satin Silver Grey (close to RAL 9006) Philips Ultra Dark Grey (close to RAL 7043). Other RAL or Akzo Nobel Futura colours are available on request
Certification	CE certification in accordance with standard EN40

Heritage bracket

Technical specifications

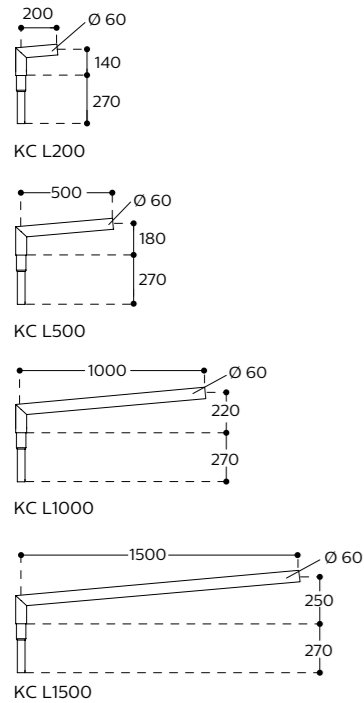


Material	Steel
Mounting to luminaire	Suspended 1"
Bracket types	Single arm, double arm, and wall mounting brackets
Mounting to support	Post-top tenon or cap for poles top Ø 76 mm
Wall bracket mounting	Mounting with 2 points, fixing centre 250 mm
Tilt angle	5°
Finish	Philips Ultra Dark Grey (close to RAL 7022). Other RAL or Akzo Nobel Futura colours available on request.
Certification	CE certification in accordance with standard EN40



KC bracket

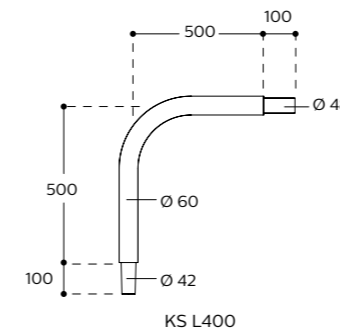
Technical specifications



Material	Steel
Mounting to luminaire	Side-entry Ø 60 mm
Mounting to support	Post-top: tenon mounting. Compatible with Accante conical steel pole (top Ø 60 or 62 mm with 2x4 threaded holes)
Tilt angle	5°
Finish	Galvanized or polyester coating finish in RAL colours or Akzo Nobel Futura colours
Certification	CE certification in accordance with standard EN40

KS bracket

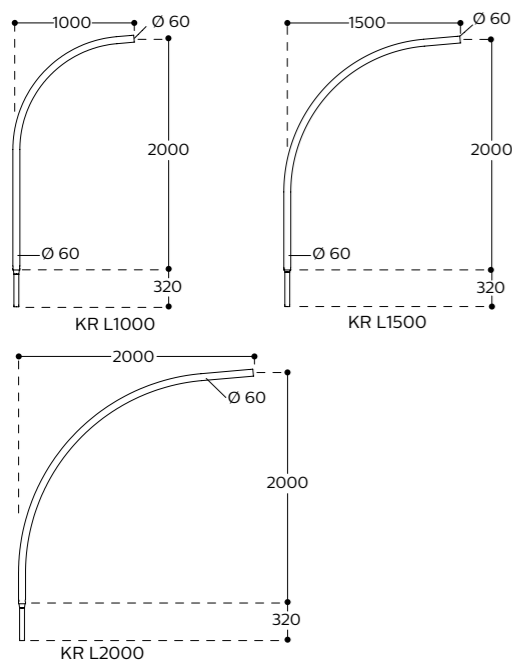
Technical specifications



Material	Steel or aluminium
Mounting to luminaire	Side-entry Ø 48 mm L 98 mm
Mounting to support	Post-top: tenon mounting. Compatible with Accante conical steel pole (top Ø 60 or 62 mm with 2x4 threaded holes)
Tilt angle	0°
Finish	Aluminium version: natural, Anodized Option: polyester coating in RAL colours Steel version: galvanized Option: polyester coating in RAL colours
Certification	CE certification in accordance with standard EN40

KR bracket

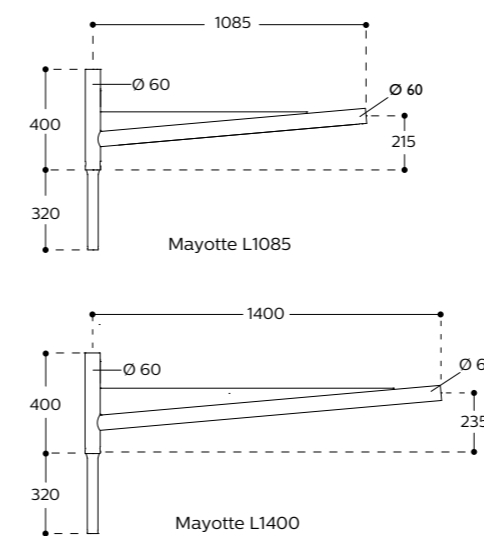
Technical specifications



Material	Steel
Mounting to luminaire	Side-entry Ø 60 mm
Mounting to support	Post-top: tenon mounting. Compatible with Accante conical steel pole (top Ø 60 or 62 mm with 2x4 threaded holes)
Tilt angle	5°
Finish	Galvanized or polyester coating finish in RAL colours or Akzo Nobel Futura colours
Certification	CE certification in accordance with standard EN40

Mayotte bracket

Technical specifications

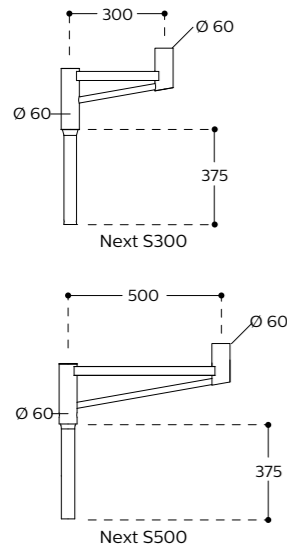


Material	Extruded aluminium
Mounting to luminaire	Side-entry Ø 60 mm
Mounting to support	Post-top: tenon mounting. Compatible with Accante conical steel pole (top Ø 60 or 62 mm with 2x4 threaded) Wall bracket: mounting with 2 points, fixing centre 220 mm
Tilt angle	5°
Finish	Polyester coating in RAL colours or Akzo Nobel Futura colours
Certification	CE certification in accordance with standard EN40



Next bracket

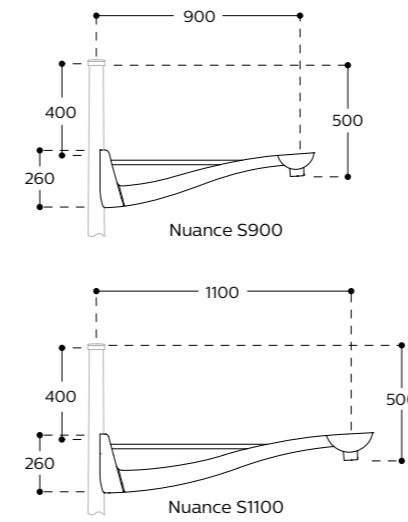
Technical specifications



Material	Aluminium
Mounting to luminaire	Post-top Ø 60 mm
Mounting to support	Post-top: tenon mounting. Compatible with Accante conical steel pole (top Ø 60 or 62 mm with 2x4 threaded holes) Rear bracket: mounting with 2 points, fixing centre 300 mm Wall bracket: mounting with 3 points, fixing centre 110x310 mm
Tilt angle	0°
Finish	Polyester coating in RAL colours or Akzo Nobel Futura colours
Certification	CE certification in accordance with standard EN40

Nuance bracket

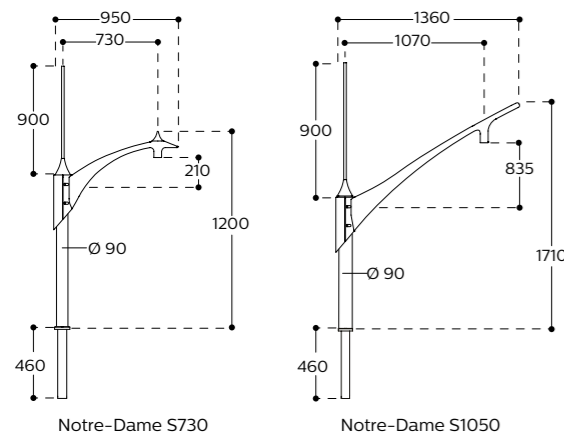
Technical specifications



Material	Cast aluminium
Mounting to luminaire	Suspended Ø 34 pdg (1" G)
Mounting to support	Side: mounting with 2 M10 screws, fixing centre 120 mm (S900) and 125 mm (S1100). Compatible with Accante conical steel pole (top Ø 60, 62, 76 or 89 mm with 2x4 threaded) or Aloa conical pole in aluminium (top Ø 90 mm with 2x4 inserts) Wall bracket: mounting with 3 points, fixing centre 110x310 mm
Tilt angle	3.5° (Nuance S900), 3° (Nuance S1100)
Finish	Polyester coating in RAL colours or Akzo Nobel Futura colours
Certification	CE certification in accordance with standard EN40

Notre-Dame bracket

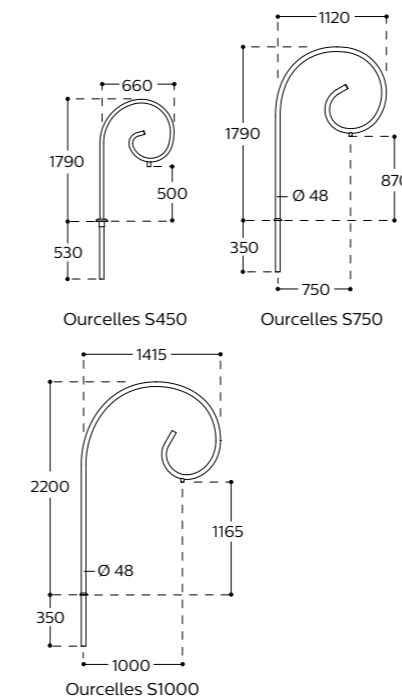
Technical specifications



Material	Cast aluminium
Mounting to luminaire	Suspended Ø 34 pdg (1" G)
Mounting to support	Post-top: tenon mounting. Compatible with Accante conical steel pole (top Ø 89 mm with 2x4 threaded holes) or Aloa conical aluminium pole (top Ø 90 mm 2x4 inserts) Wall bracket: mounting with 3 points, fixing centre 110x500 mm
Tilt angle	0°
Finish	Polyester coating in RAL colours or Akzo Nobel Futura colours
Certification	CE certification in accordance with standard EN40

Ourcelles bracket

Technical specifications

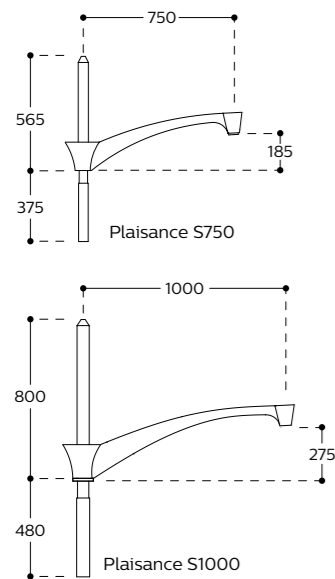


Material	Extruded steel
Mounting to luminaire	Suspended Ø 27 pdg (3/4" G) or Ø 34 pdg (1" G) with AD accessory
Mounting to support	Post-top: tenon mounting. Compatible with Accante conical steel pole (top Ø 60, 62, 76 or 89 mm with 2x4 threaded holes) or Aloa conical aluminium pole (top Ø 90 mm with 2x4 inserts) Side and wall: mounting with 2 points, fixing centre 450 mm (S450), 750 mm (S750) & 1000 mm (S1000). Compatible with Accante conical steel pole (top Ø 60, 62, 76 or 89 mm with inserts) or Aloa conical aluminium pole (top Ø 90 mm with inserts)
Tilt angle	0°
Finish	Polyester coating in RAL colours or Akzo Nobel Futura colours
Certification	CE certification in accordance with standard EN40



Plaisance bracket

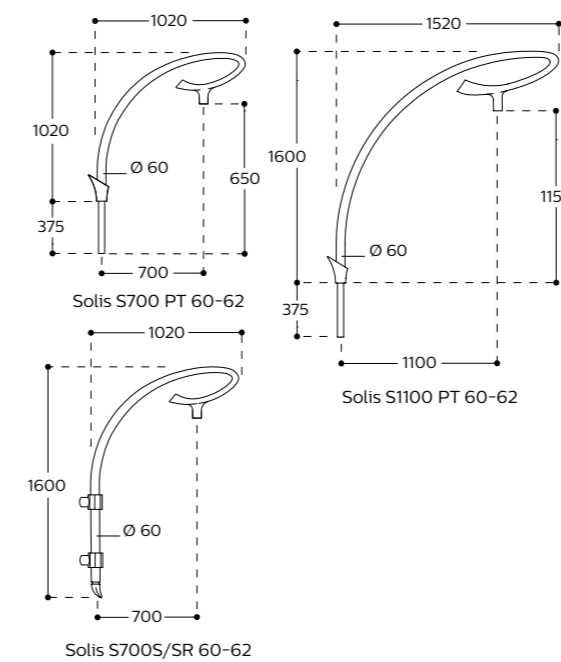
Technical specifications



Material	Cast aluminium
Mounting to luminaire	Suspended Ø 34 pdg (1" G)
Mounting on pole	Post-top: tenon mounting. Plaisance S750: Compatible with Accante conical steel pole (top Ø 60 or 62 mm with 2x4 threaded holes). Plaisance S1000: Compatible with Accante conical steel pole (top Ø 89 mm with 2x4 threaded holes) or Aloa conical aluminium pole (top Ø 90 mm with 2x4 inserts) Rear bracket: mounting with 2 points, fixing centre 190 mm Wall bracket: mounting with 3 points, fixing centre 110x310 mm
Tilt angle	3°
Finish	Polyester coating in RAL colours or Akzo Nobel Futura colours
Certification	CE certification in accordance with standard EN40

Solis bracket

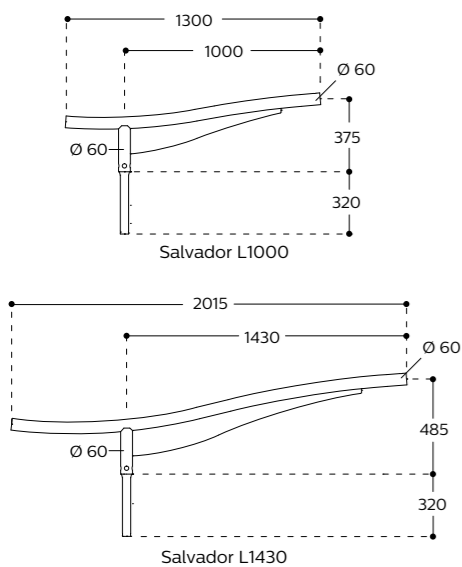
Technical specifications



Material	Extruded cast aluminium
Mounting to luminaire	Suspended Ø 34 pdg (1" G)
Mounting to support	Post-top: tenon mounting. Compatible with Accante conical steel pole (top Ø 60 or 62 mm with 2x4 threaded holes) Rear bracket: mounting with 2 points, fixing centre 400 mm. Compatible with Accante conical steel pole (top Ø 60, 62, 76 or 89 mm with inserts) or Aloa conical aluminium pole (top Ø 90 mm with inserts) Wall bracket: mounting with 3 points, fixing centre 110x500 mm
Tilt angle	0°
Finish	Polyester coating in RAL colours or Akzo Nobel Futura colours
Certification	CE certification in accordance with standard EN40

Salvador bracket

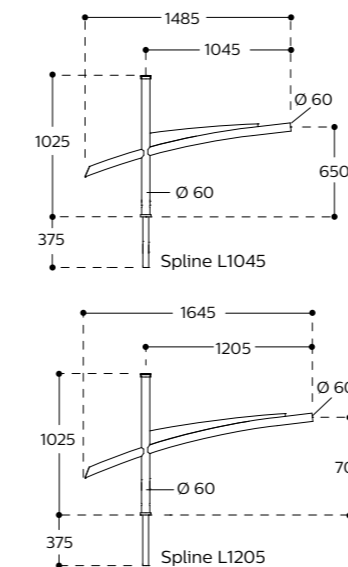
Technical specifications



Material	Extruded steel
Mounting to luminaire	Side-entry Ø 60 mm
Mounting to support	Post-top: tenon mounting. Compatible with Accante conical steel pole (top Ø 60 or 62 mm with 2x4 threaded holes) Rear bracket / wall bracket: mounting with 2 points, fixing centre 270 mm. Compatible with Accante conical steel pole (top Ø 60 or 62 mm with inserts)
Tilt angle	5° (Salvador S1000), 4.4° (Salvador S1430)
Finish	Polyester coating in RAL colours or Akzo Nobel Futura colours
Certification	CE certification in accordance with standard EN40

Spline bracket

Technical specifications

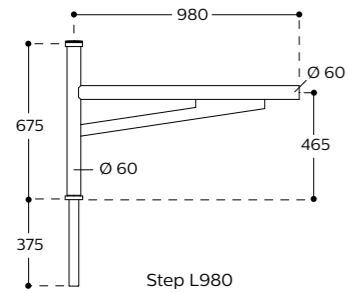


Material	Extruded aluminium
Mounting to luminaire	Side-entry Ø 60 mm
Mounting to support	Post-top: tenon mounting. Compatible with Accante conical steel pole (top Ø 60 or 62 mm with 2x4 threaded holes) or Aloa conical aluminium pole (top Ø 90 mm with 2x4 inserts) Rear bracket / wall bracket: mounting with 2 points, fixing centre 250 mm
Tilt angle	9°, 7°
Finish	Polyester coating in RAL colours or Akzo Nobel Futura colours
Certification	CE certification in accordance with standard EN40

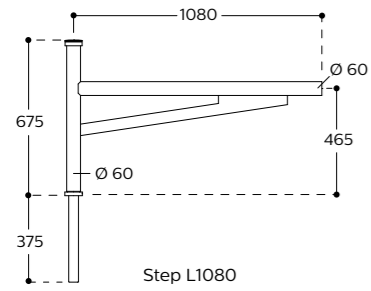


Step bracket

Technical specifications



Step L980

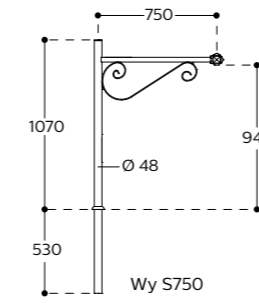


Step L1080

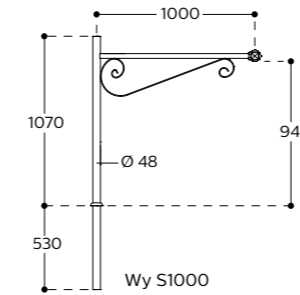
Material	Extruded aluminium
Mounting to luminaire	Side-entry Ø 60 mm
Mounting to support	Post-top: tenon mounting. Compatible with Accante conical steel pole (top Ø 60, 89 or 62 mm with 2x4 threaded holes) or Aloa conical aluminium pole (top Ø 90 mm with 2x4 inserts) Rear bracket: mounting with 2 points, fixing centre 270 mm Wall bracket: mounting with 3 points, fixing centre 110x310 mm
Tilt angle	0°
Finish	Polyester coating in RAL colours or Akzo Nobel Futura colours
Certification	CE certification in accordance with standard EN40

Wy bracket

Technical specifications



Wy S750

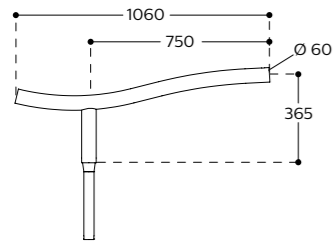


Wy S1000

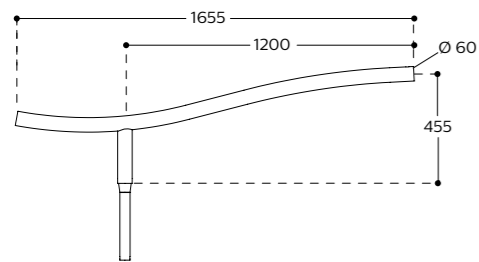
Material	Extruded steel
Mounting to luminaire	Post-top, suspended Ø 27 pdg (3/4") or Ø 34 pdg (1" G) with AD accessory
Mounting to support	Post-top: tenon mounting. Compatible with Accante conical steel pole (top Ø 60, 62, 76 or 89 mm with 2x4 threaded holes) or Aloa conical aluminium pole (top Ø 90 mm with inserts) Rear bracket / wall bracket: mounting with 2 points, fixing centre 350 mm (S450), 420 mm (S750) & 560 mm (S1000). Compatible with Accante conical steel pole (top Ø 60, 62, 76 or 89 with inserts) or Aloa conical aluminium pole (top Ø 90 mm with inserts)
Tilt angle	0°
Finish	Polyester coating in RAL colours or Akzo Nobel Futura colours
Certification	CE certification in accordance with standard EN40

UrbanWave bracket

Technical specifications



UrbanWave L750



UrbanWave L1200

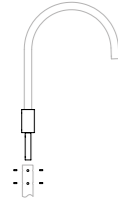
Material	Extruded steel
Mounting to luminaire	Side-entry Ø 60 mm (UrbanWave L1200) and Ø 48 mm (UrbanWave L750)
Mounting to support	Post-top: tenon mounting. Compatible with Accante conical steel pole (top Ø 60 or 62 mm with 2x4 threaded holes) Rear bracket / wall bracket: mounting with 2 points, fixing centre 250 mm
Tilt angle	3°
Finish	Polyester coating in RAL colours or Akzo Nobel Futura colours
Certification	CE certification in accordance with standard EN40

Bracket mounting to support

Post-top tenon

The dimensions of the mounting tenons vary from one bracket to another depending on the stress and strength requirements calculated by our technical department.

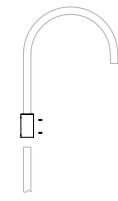
The brackets are mounted on poles with inserts or punctured at the top.



Post-top cap

The bracket is provided with a covering cap, which allows direct insertion of a top pole without machine assembly.

The dimensions of the mountings vary from one bracket to another depending on the stress and strength requirements calculated by our technical department.

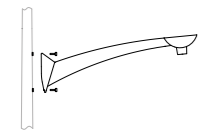


Side mounting

The bracket is fixed laterally directly on the pole.

Pole machine assembly is required (inserts).

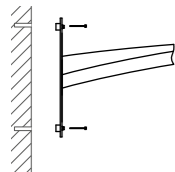
Type and number of screws vary from one bracket to another depending on the stress and strength requirements calculated by our technical department.



Wall mounting

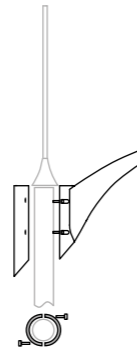
Wall mounted bracket is equipped with an interface that allows mounting to the wall.

The dimensions of the mountings vary from one bracket to another depending on the stress and strength requirements calculated by our technical department.

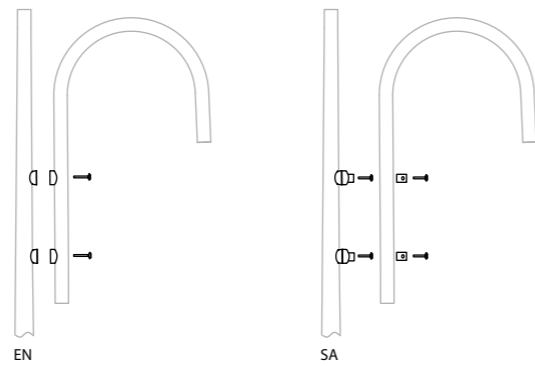


Dedicated mounting

- Notre-Dame mounting
- Tradition mounting



Notre-Dame mounting



Brace Tradition mounting

Satellite Tradition mounting

Bracket mounting adaptors

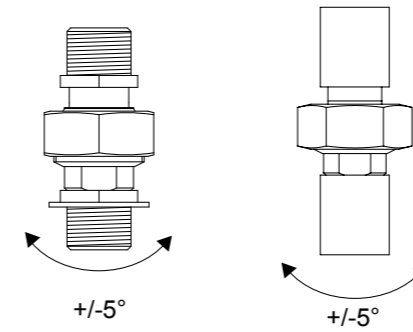


Female / Male or Male / Female swivel joint connector

The swivel joint connector is an interfacing part between the luminaire and the bracket, which ensures the vertical position of a suspended luminaire (+ or - 5°).

Male mounting: two threaded ends Ø27pdg (3/4" G) or Ø34pdg (1" G).

Female mounting: two sleeves Ø27pdg (3/4" G) or Ø34pdg (1" G).



Male / Male swivel joint

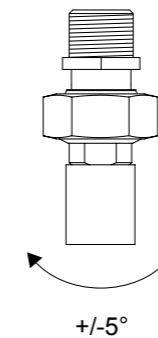
Female / Female swivel joint

Male / Female swivel joint connector

The swivel joint connector is an interfacing part between the luminaire and the bracket, which ensures the vertical position of a suspended luminaire (+ or - 5°).

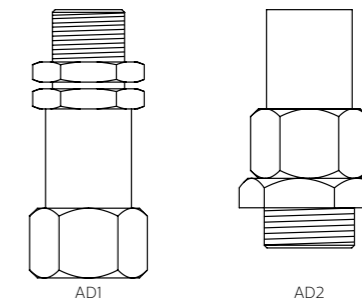
Male mounting: threaded ends Ø27pdg (3/4" G).

Female mounting: sleeves Ø27pdg (3/4" G) or Ø34pdg (1" G).



AD1 and AD2 adaptors

AD1 and AD2 adaptors can adapt brackets for threaded end Ø27pdg (3/4" G) to luminaires of Ø34pdg (1" G) and vice-versa. These adaptors also allow the mounting system to be extended in order to ensure that the luminaire is not too close to the bracket.



Standard EN40 certification

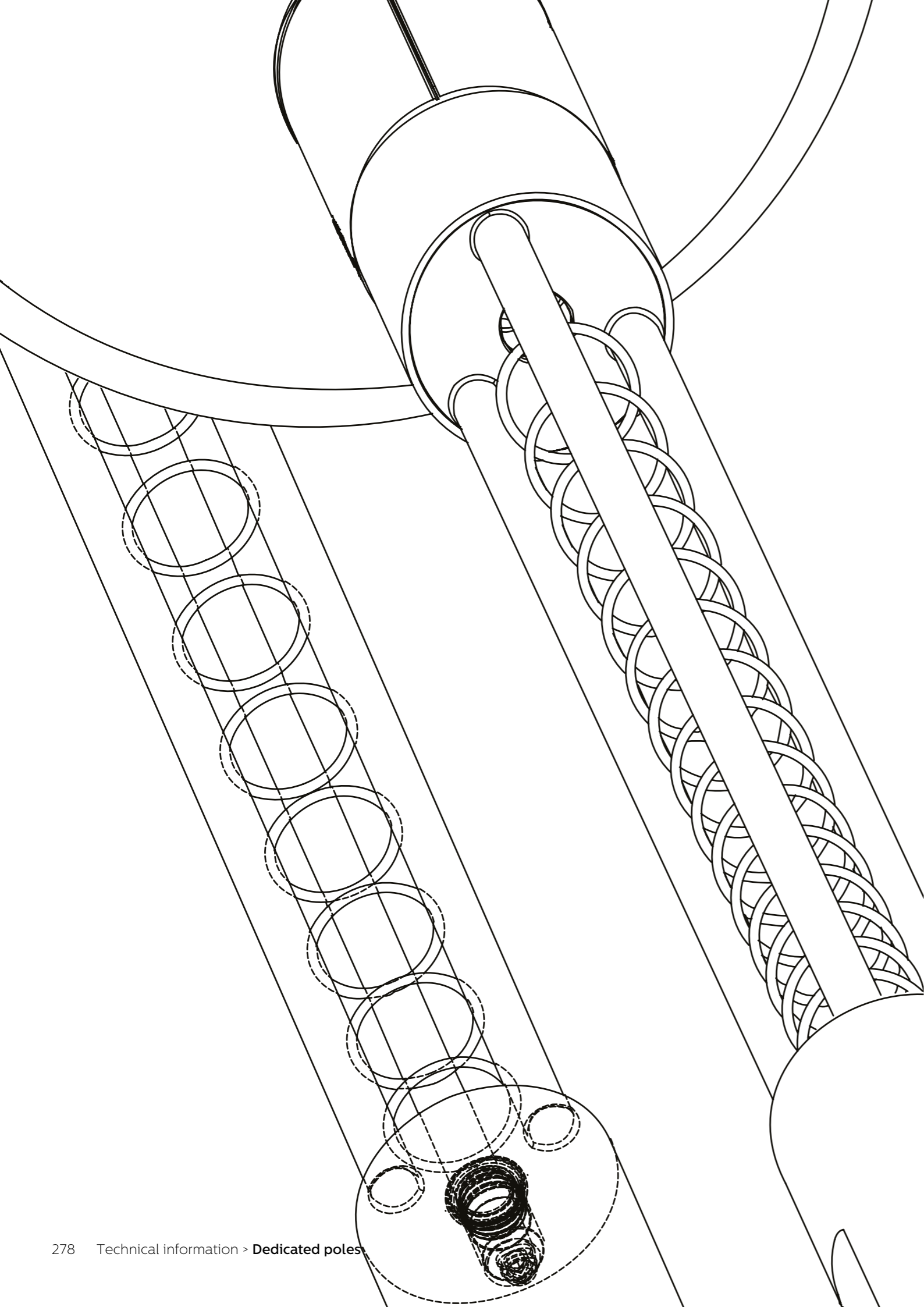
All the pole and bracket compositions have been made in strict compliance with standard EN40. For any requests for products that are not presented in this urban inspiration book or for stronger wind zones, please contact our sales support department if we can design products to meet the resistance requirements of your project.



Poles

Poles can give a modern or historic day and night time appearance, available in various dimensions and proportions. Philips poles are used for a multitude of lighting solutions, from simple to the most complex, combining luminaires, brackets, wall mounting brackets and multiple-arm brackets. In this chapter you can find the technical specifications for each pole, split by dedicated or standard and as presented in the Urban Inspirational and Urban Functional chapters.



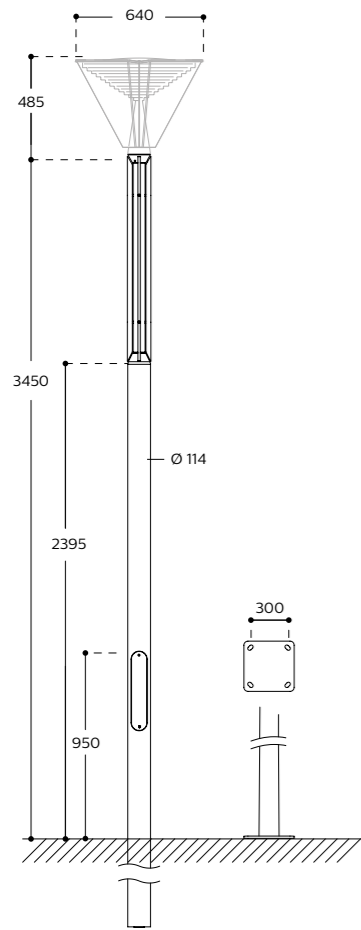


Dedicated poles

Arrow	280	MetroRiginal	293
Basic with bracket	281	MetroSpun	294
Bronze with bracket	282	MetroTube	295
CityCharm	283	MetroWood	296
CristalCity	284	Ocean Ambiance wooden pole	297
CityCharm pole	285	Ocean Ambiance wooden	298
Faubourg	286	Ocean Curved	299
High pole with bracket	287	Ocean Inclined	300
Lyre	288	Ocean Stepped	301
MetroConical pole	289	Ocean Straight	302
MetroConical	290	Ocean Wooden	303
MetroLat	291	Slend with bracket	304
MetroLight	292	UrbanScene Stepped	305

Arrow pole

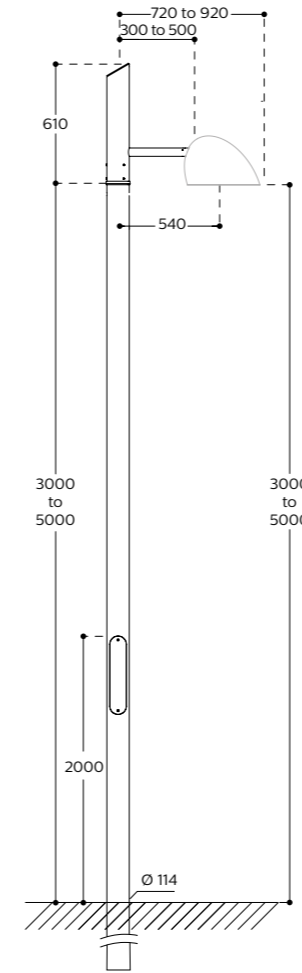
Technical specifications



Material	Steel
Mounting to luminaire	Dedicated Parkview LED with 60P mounting system
Pole height	3.5 m
Tilt angle	0°
Installation type	Ground section and base plate
Finish	Galvanized. Polyester coating finish on option (Swartsgrau, ALU grey, Graphite grey, Charcoal grey, Ocean blue, Moss green and Corten red) The wings can be painted as an option, in other colours than the pole or delivered in another material (stainless steel, bronze, brass)
Certification	CE certification in accordance with standard EN40

Basic pole with bracket

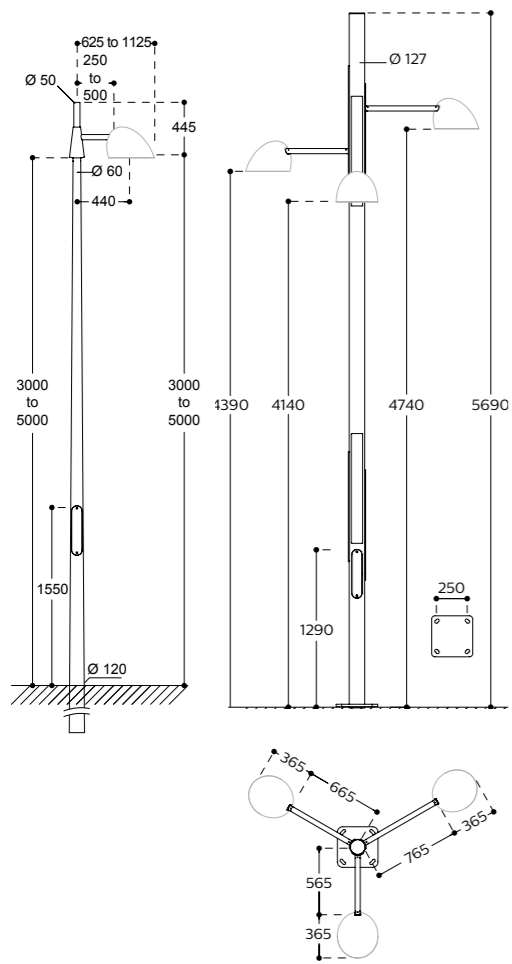
Technical specifications



Pole	
Material	Steel
Pole height	3, 3.5, 4.5, and 5 m
Tilt angle	0°
Installation type	Ground section
Finish	Polyester coating. Standard colour: 925 Swartsgrau Other colours (ALU grey, Graphite grey, Charcoal grey, Ocean blue, Moss green and Corten red) on request
Certification	CE certification in accordance with standard EN40
Bracket	
Material	Steel with decor in cast bronze
Mounting to luminaire	Dedicated CitySwan with angled mounting system
Mounting to support	Post-top cap. Mounting with 2 x 4 M8 screws
Tilt angle	0°
Finish	Polyester coating. Standard colour: 925 Swartsgrau Other colours (ALU grey, Graphite grey, Charcoal grey, Ocean blue, Moss green and Corten red) on request
Certification	CE certification in accordance with standard EN40

Bronze pole with bracket

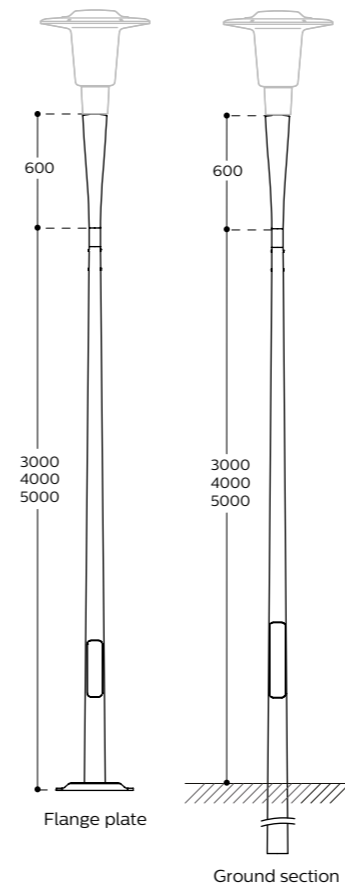
Technical specifications



Pole	
Material	Steel
Pole height	3, 3.5, 4.5, 5 and 5.5 m
Tilt angle	0°
Installation type	Ground section
Finish	Polyester coating. Standard colour: 925 Swartsgrau Other colours (ALU grey, Graphite grey, Charcoal grey, Ocean blue, Moss green and Corten red) on request
Certification	CE certification in accordance with standard EN40
Bracket	
Material	Steel with decor in cast bronze
Mounting to luminaire	Dedicated CitySwan with angled mounting system
Mounting to support	Post-top tenon. Mounting with 4 M8 screws
Tilt angle	0°
Finish	Polyester coating. Standard colour: 925 Swartsgrau. Other colours (ALU grey, Graphite grey, Charcoal grey, Ocean blue, Moss green and Corten red) on request
Certification	CE certification in accordance with standard EN40

CityCharm pole

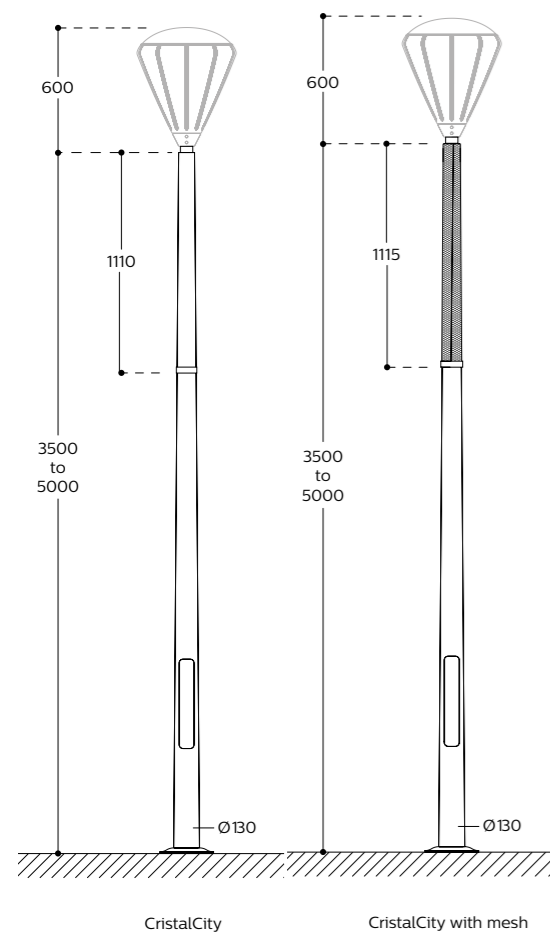
Technical specifications



Material	Steel
Pole height	3.6, 4.6 and 5.6 m
Tilt angle	0°
Installation type	Ground section and flange plate
Finish	Satin Silver Grey (close to RAL 9006) Philips Ultra Dark Grey (close to RAL 7022) Other RAL or Akzo Nobel Futura colours available on request
Certification	CE certification in accordance with standard EN40

CristalCity pole

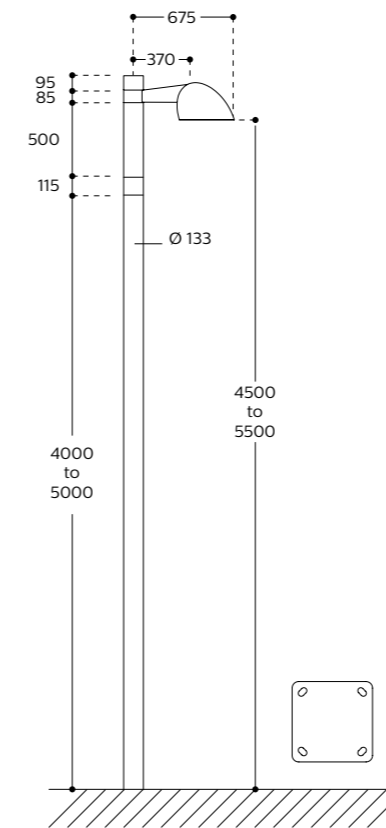
Technical specifications



Material	Steel Pole with stainless steel decorative mesh (decorative accessories pre-assembled)
Mounting to luminaire	Post-top mounting. Dedicated CristalCity
Pole height	3.5 m to 5 m
Tilt angle	0°
Installation type	Ground section or flange plate
Finish	Galvanized. Polyester coating finish. RAL White Grazalema version with stainless steel decorative mesh Colour: Philips Ultra Dark Grey (10714), RAL or Akzo Nobel Futura colours
Accessory	Decorative rings and decorative mesh
Certification	CE certification in accordance with standard EN40

Compact pole with bracket

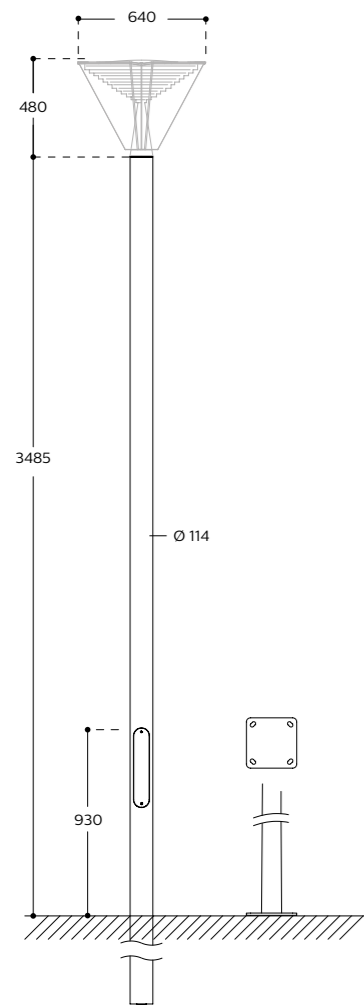
Technical specifications



Pole	
Material	Steel
Pole height	4.8 and 5.8 m
Tilt angle	0°
Installation type	Ground section and base plate
Finish	Polyester coating finish in RAL colours or Akzo Futura Gris 900 Sablé. Standard colour: Philips Ultra Dark Grey 10714
Certification	CE certification in accordance with standard EN40
Bracket	
Material	Steel with decor in cast bronze
Mounting to luminaire	Dedicated CitySwan with angled mounting system
Mounting to support	Post-top cap. Mounting with 2 x 4 M8 screws
Tilt angle	0°
Finish	Polyester coating. Standard colour: 925 Swartsgrau Other colours (ALU grey, Graphite grey, Charcoal grey, Ocean blue, Moss green and Corten red) on request
Certification	CE certification in accordance with standard EN40

Faubourg pole

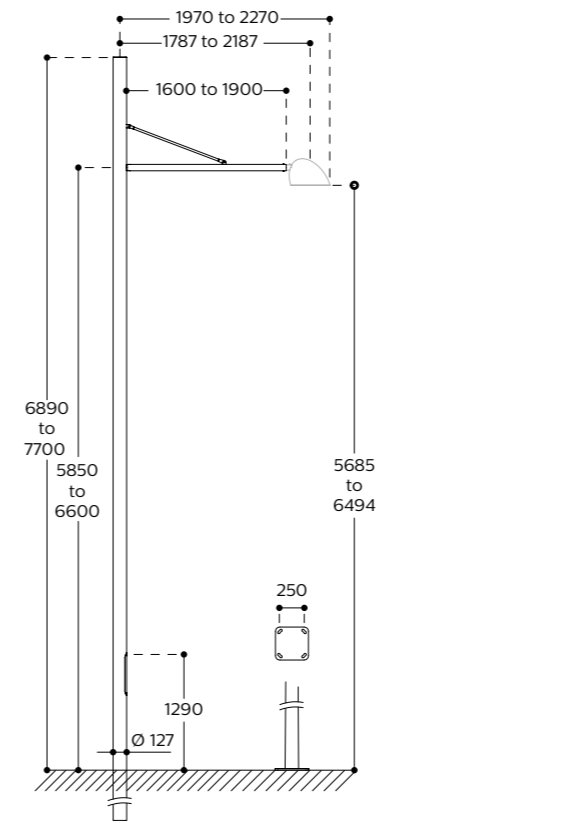
Technical specifications



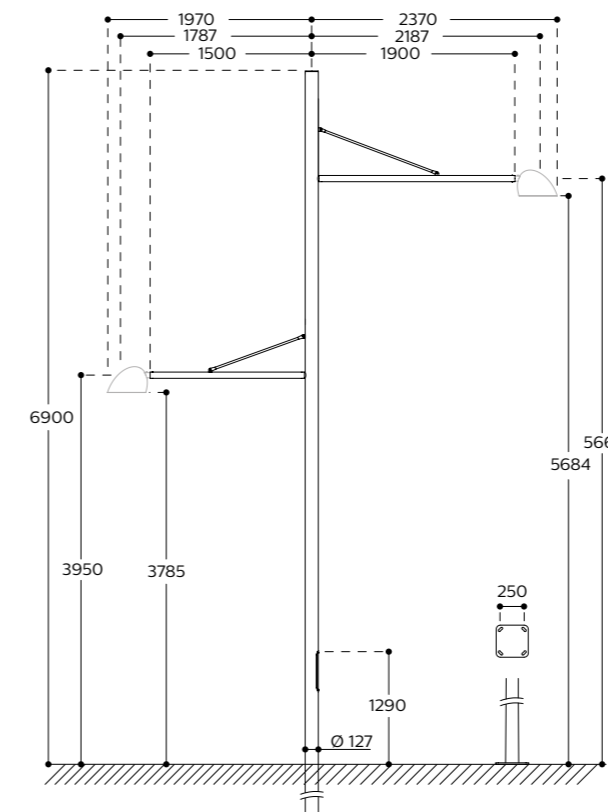
Material	Aluminium
Mounting to luminaire	Dedicated Parkview LED with 60P mounting system
Pole height	3, 3.5, 4.5 or 6 m
Tilt angle	0°
Installation type	Ground section
Finish	Natural, anodized. Anodized in selected colours or polyester coating finish on option (RAL)
Certification	CE certification in accordance with standard EN40

High pole with bracket

Technical specifications

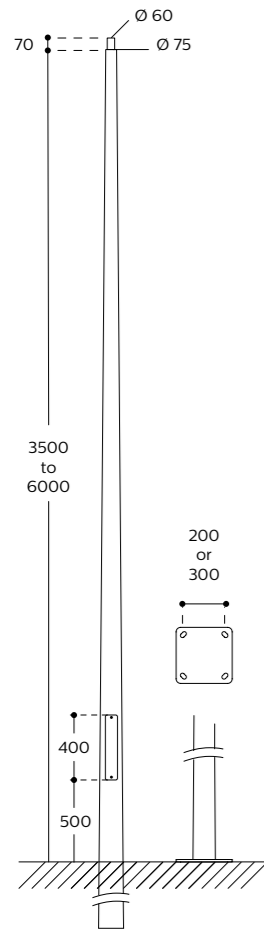


Pole	
Material	Steel
Pole height	6.9 and 7.9 m
Tilt angle	0°
Installation type	Ground section and base plate
Finish	Polyester coating finish. Standard colour: Swartsgrau. Other colour (ALU grey, Graphite grey, Charcoal grey, Ocean blue, Moss green and Corten red) available on request
Certification	CE certification in accordance with standard EN40
Bracket	
Material	Steel
Mounting to luminaire	Dedicated CitySwan LED with angled mounting system
Mounting to support	Side: mounting with 3 M6 screws
Tilt angle	0°
Finish	Finish: polyester coating finish. Standard colour: 925 Swartsgrau. Other colours (ALU grey, Graphite grey, Charcoal grey, Ocean blue, Moss green and Corten red) on request
Certification	CE certification in accordance with standard EN40



Lyre pole

Technical specifications

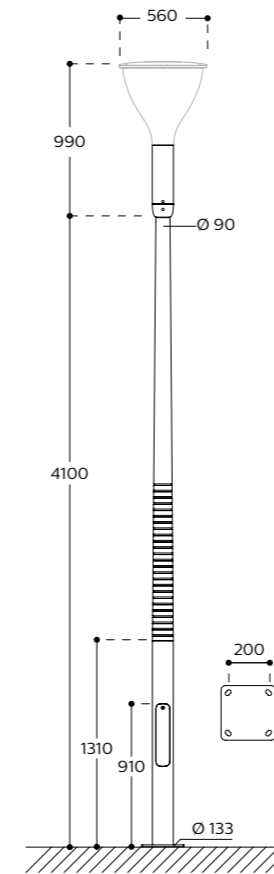


Material	Steel
Mounting to luminaire	Post-top mounting with a tenon Ø 60 mm
Pole height	3.5 m up to 6 m
Tilt angle	0°
Installation type	Ground section or base plate
Finish	Philips Ultra Dark Grey (close to RAL 7022, fine textured colour), other RAL and Akzo Nobel Futura colours available on request
Certification	CE certification in accordance with standard EN40



MetroCone pole

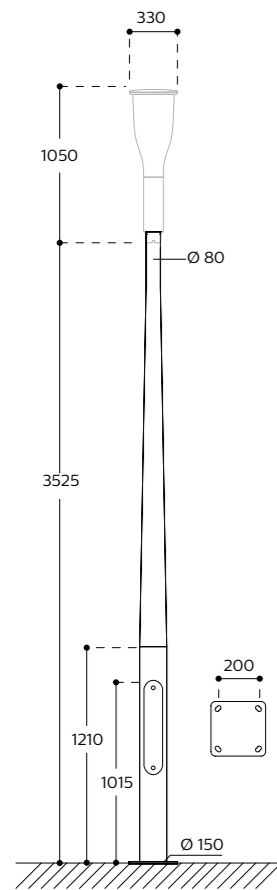
Technical specifications



Material	Laminated wood and steel (base)
Mounting to luminaire	Dedicated Metronomis LED Sharp BDS660, Fluid BDS670, Torch BDS650, Torch with Hat BDS651 with 60 mounting system (Transition Part for post-top Ø 60 mm)
Pole height	3.5 and 4 m
Tilt angle	0°
Installation type	Ground section and base plate
Finish	Wood: translucent coloured protection. Standard colour: Dark wood or Deep blue. Steel: polyester coating in RAL and Akzo Futura Gris 900 Sablé. Standard colour: Philips Ultra Dark Grey 10714 or Philips MetroLight Grey.
Certification	Laminated pine from PEFC certified forest (PEFC: Program for Endorsement of Forest Certification)

MetroConical pole

Technical specifications

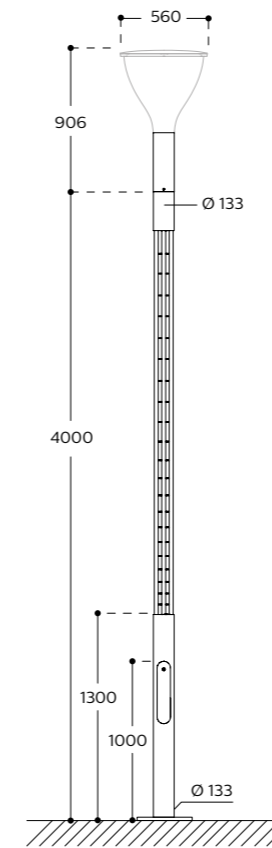


Material	Aluminium
Mounting to luminaire	Dedicated Metronomis LED with standard mounting system (CDS550, CDS530, CDS580, CDS560 and CDS570)
Mounting to bracket	Dedicated Metronomis curved and straight brackets
Pole height	3.5, 4.5 and 6 m
Tilt angle	0°
Installation type	Base plate
Finish	Polyester coating. Standard colour: Philips Ultra Dark Grey 10714. Other colours available on request
Certification	CE certification in accordance with standard EN40



MetroLat pole

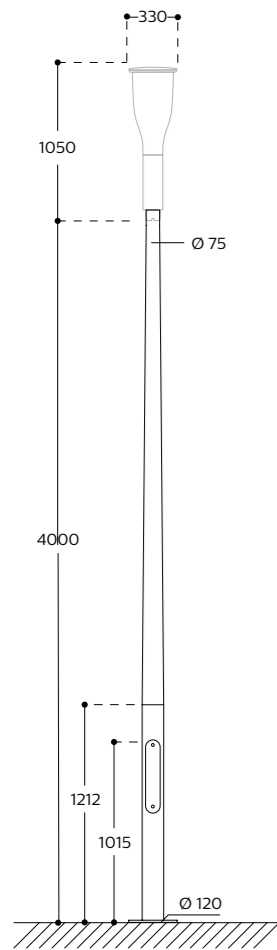
Technical specifications



Material	Steel
Mounting to luminaire	Dedicated Metronomis LED Sharp BDS660, Fluid BDS670, Torch BDS650, Torch with Hat BDS651 with SP mounting system
Pole height	3.5 and 4 m
Tilt angle	0°
Installation type	Ground section and base plate
Finish	Polyester coating in RAL or Akzo Futura Gris 900 Sablé Standard colour: Philips Ultra Dark Grey 10714 or Philips MetroLight Grey
Certification	CE certification in accordance with standard EN40

MetroLight pole

Technical specifications

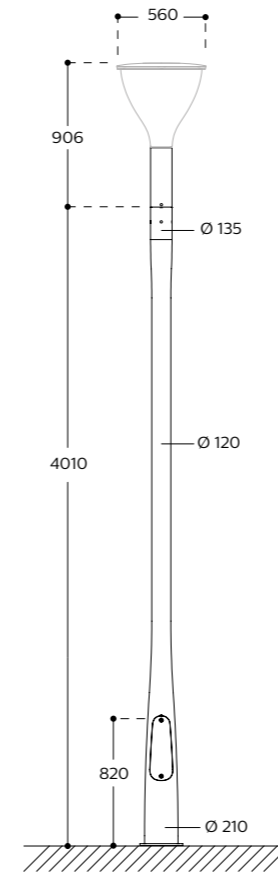


Material	Aluminium
Mounting to luminaire	Dedicated Metronomis LED Sharp BDS660, Fluid BDS670, Torch BDS650, Torch with Hat BDS651 with mounting system SP-BL or SP-WW or SP-NW (Spigot for wash light with different colours)
Pole height	3.5 and 4 m
Tilt angle	0°
Installation type	Ground section and base plate
Finish	Polyester coating in RAL or Akzo Futura Gris 900 Sablé Standard colour: Philips Ultra Dark Grey 10714 or Philips MetroLight Grey
Certification	CE certification in accordance with standard EN40



MetroRiginal pole

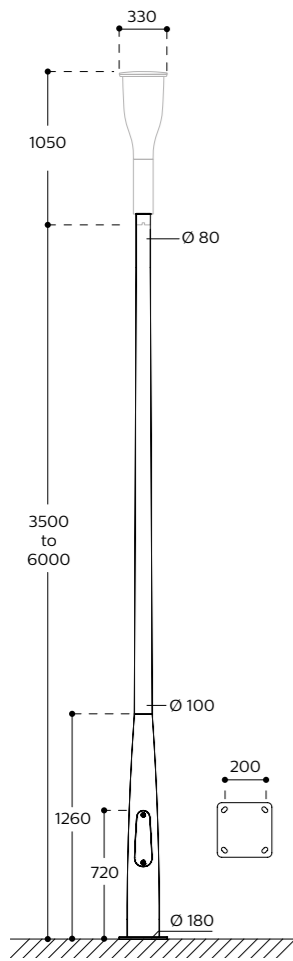
Technical specifications



Material	Aluminium
Mounting to luminaire	Dedicated Metronomis LED Sharp BDS660, Fluid BDS670, Torch BDS650, Torch with Hat BDS651 with mounting system SP
Pole height	3.5 and 4 m
Tilt angle	0°
Installation type	Ground section and base plate
Finish	Polyester coating in RAL or Akzo Futura Gris 900 Sablé Standard colour: Philips Ultra Dark Grey 10714 or Philips MetroLight Grey
Certification	CE certification in accordance with standard EN40

MetroSpun pole

Technical specifications

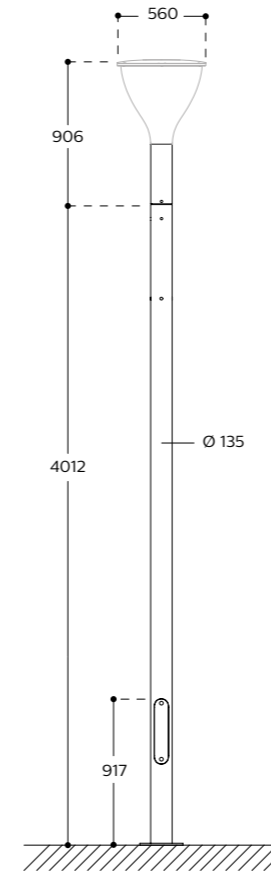


Material	Aluminium
Mounting to luminaire	Dedicated Metronomis LED with standard mounting system (CDS550, CDS530, CDS580, CDS560 and CDS570)
Mounting to bracket	Dedicated Metronomis curved and straight brackets
Pole height	3.5, 4.5 and 6 m
Tilt angle	0°
Installation type	Base plate
Finish	Polyester coating. Standard colour: Philips Ultra Dark Grey 10714. Other colours available on request
Certification	CE certification in accordance with standard EN40



MetroTube pole

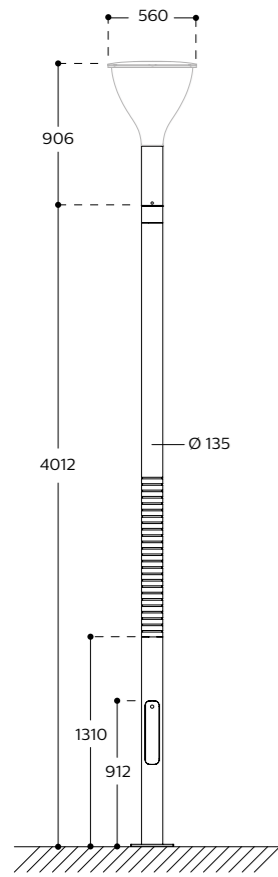
Technical specifications



Material	Aluminium
Mounting to luminaire	Dedicated Metronomis LED Sharp BDS660, Fluid BDS670, Torch BDS650, Torch with Hat BDS651 with SP mounting system
Pole height	3.5 and 4 m
Tilt angle	0°
Installation type	Ground section and base plate
Finish	Polyester coating in RAL or Akzo Futura Gris 900 Sablé Standard colour: Philips Ultra Dark Grey 10714 or Philips MetroLight Grey
Certification	CE certification in accordance with standard EN40

MetroWood pole

Technical specifications

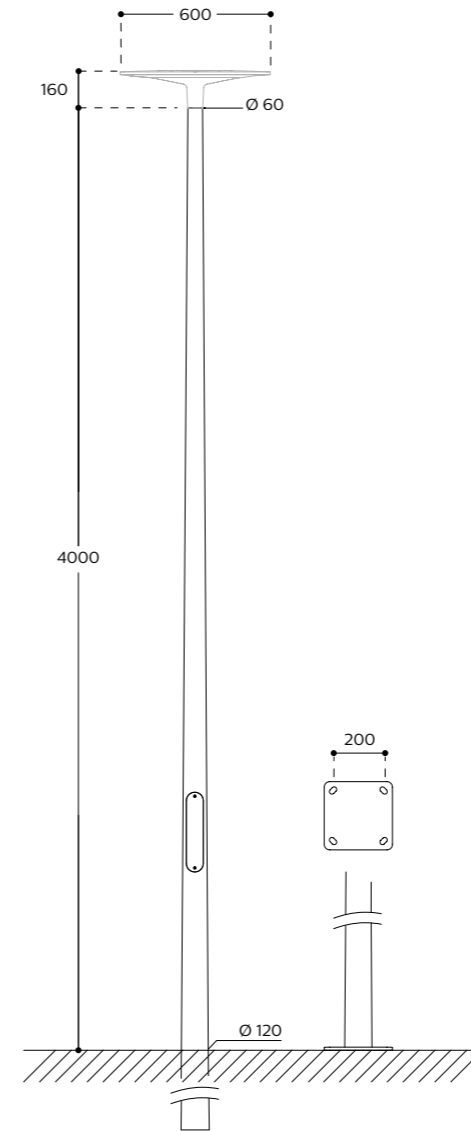


Material	Laminated wood and steel (base)
Mounting to luminaire	Dedicated Metronomis LED Sharp BDS660, Fluid BDS670, Torch BDS650, Torch with Hat BDS651 with SP mounting system
Pole height	3,5 and 4 m
Tilt angle	0°
Installation type	Ground section and base plate
Finish	Wood: translucent coloured protection. Standard colour: Dark wood or Deep blue. Other colours available on request Steel: polyester coating in RAL or Akzo Futura Gris 900 Sablé Standard colour: Philips Ultra Dark Grey 10714 or Philips MetroLight Grey
Certification	Laminated pine from PEFC certified forest (PEFC: Program for Endorsement of Forest Certification)



Ocean Ambiance steel pole

Technical specifications

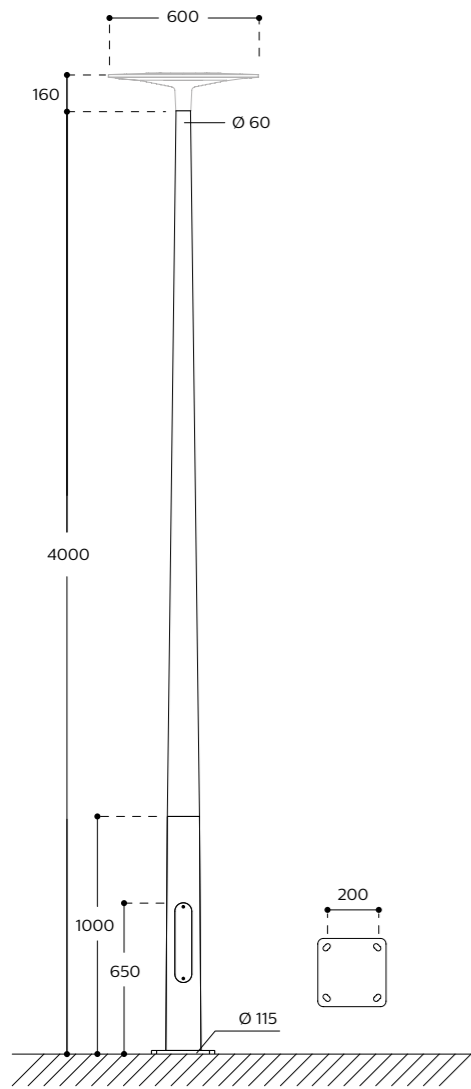


Material	Steel
Mounting to luminaire	Post-top mounting. Dedicated Ocean Ambiance LED
Pole height	4 m
Installation type	Ground section and base plate
Finish	Polyester coating in RAL or Akzo Nobel Futura colours. Suggested colour: Platinum (Akzo Nobel Futura)
Certification	CE certification in accordance with standard EN40



Ocean Ambiance wooden pole

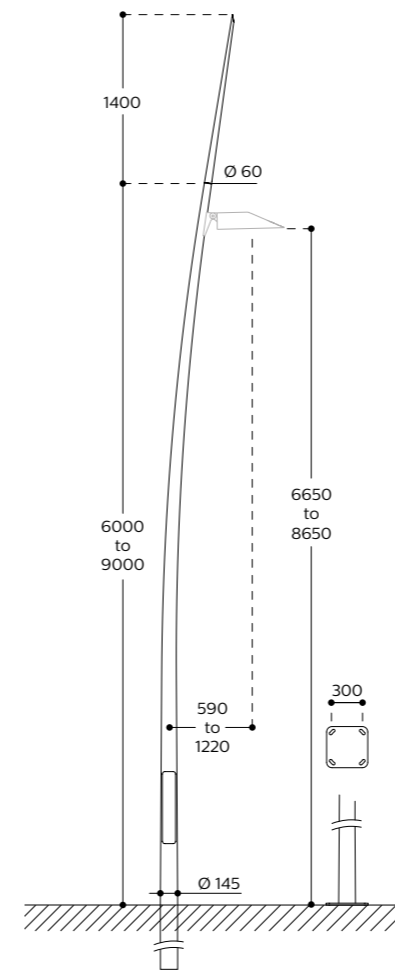
Technical specifications



Material	Laminated wood and steel (base)
Mounting to luminaire	Post-top mounting. Dedicated Ocean Ambiance LED
Pole height	5, 6, 7 and 8 m
Installation type	Ground section and base plate
Finish	Steel an aluminium part: polyester coating in RAL or Akzo Nobel Futura colours. Suggested colour: Platinum (Akzo Nobel Futura) Wood: translucent coloured protection. Choice of colour: Light Oak, Dark Oak, Chestnut, Mahogany, Ebony, Spice, Cask, Memory, Origin and Mist
Certification	CE certification in accordance with standard EN40

Ocean Curved pole

Technical specifications

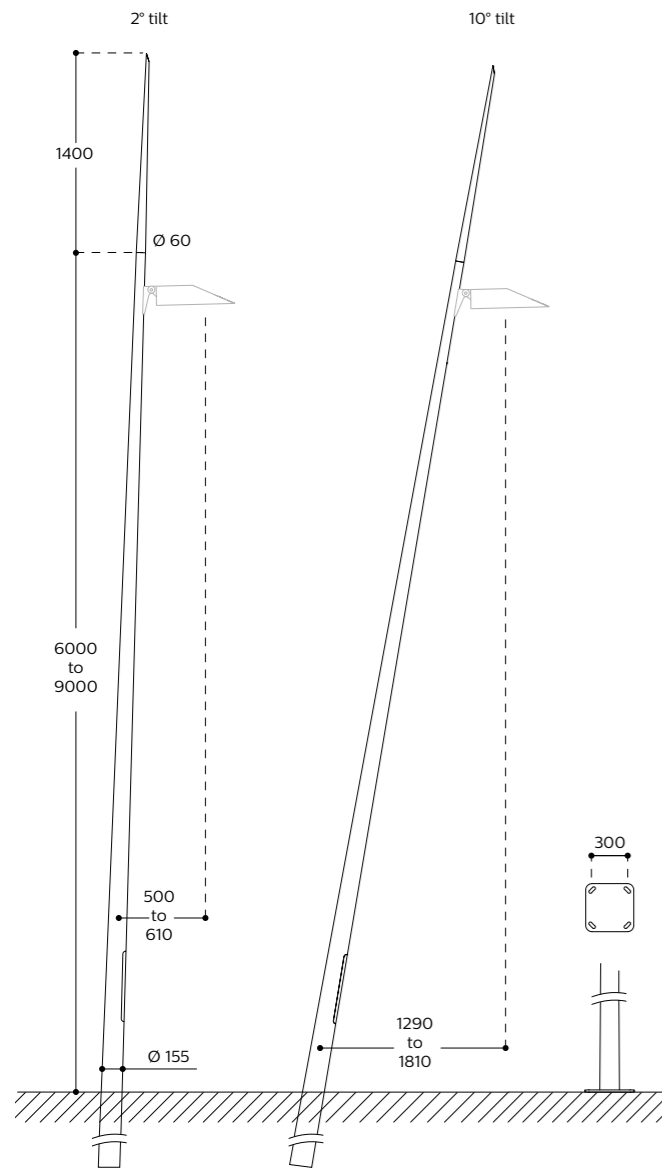


Material	Steel (pole) and cast aluminium (top point)
Mounting to luminaire	Side mounting with FR mounting system
Pole height	6, 7, 8 and 9 m
Installation type	Ground section and base plate
Finish	Polyester coating in RAL or Akzo Nobel Futura colours. Suggested colour: Platinum (Akzo Nobel Futura)
Certification	CE certification in accordance with standard EN40



Ocean Inclined pole

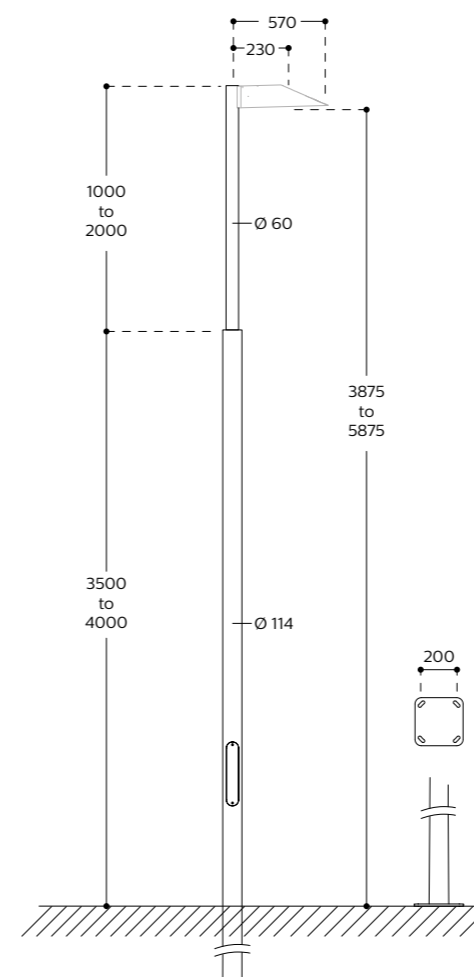
Technical specifications



Material	Steel (pole) and cast aluminium (top point)
Mounting to luminaire	Side mounting. Dedicated Ocean Road with FD mounting system. Up to 4 luminaires (spiral version)
Pole height	6, 7, 8 and 9 m
Tilt	2 (DP) or 10° (SP)
Installation type	Ground section and base plate
Finish	Polyester coating in RAL or Akzo Nobel Futura colours. Suggested colour: Platinum (Akzo Nobel Futura)
Certification	CE certification in accordance with standard EN40

Ocean Stepped pole

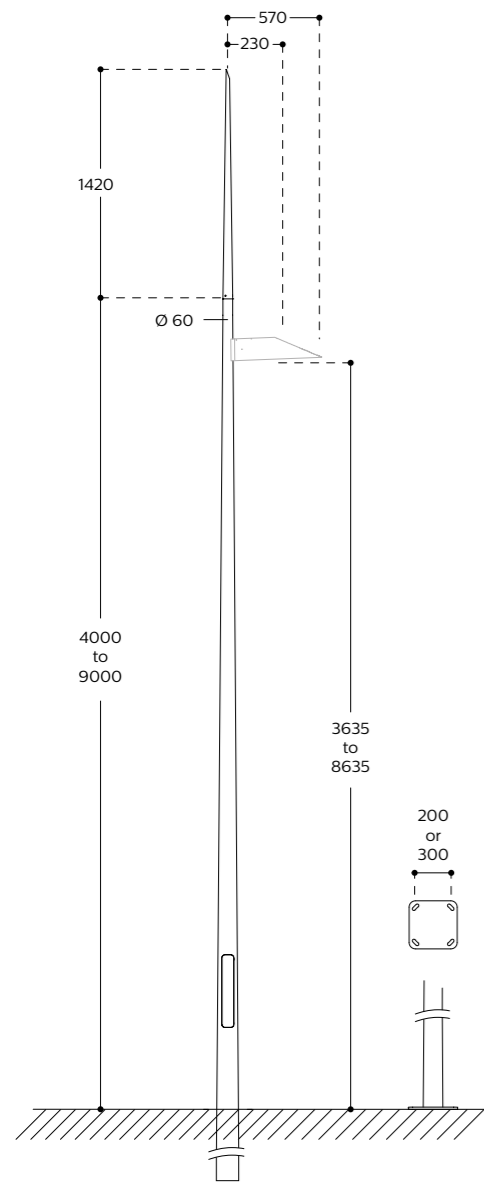
Technical specifications



Material	Steel (pole) and cast aluminium (top point)
Mounting to luminaire	Side mounting. Dedicated Ocean Road with FD mounting system
Pole height	4, 5, and 6 m
Installation type	Ground section and base plate
Finish	Polyester coating in RAL or Akzo Nobel Futura colours. Suggested colour: Platinum (Akzo Nobel Futura)
Certification	CE certification in accordance with standard EN40

Ocean Straight pole

Technical specifications

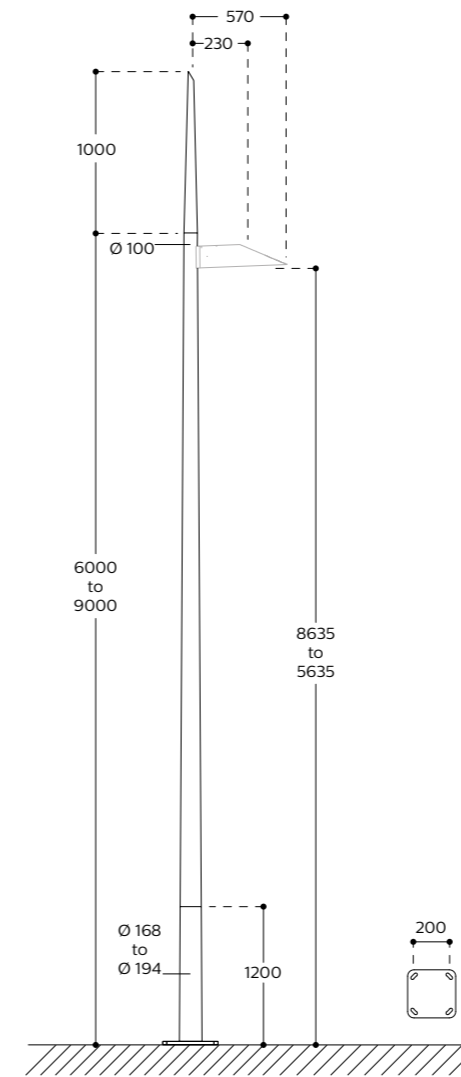


Material	Steel (pole) and cast aluminium (top point)
Mounting to luminaire	Side mounting with FD mounting system. Up to 4 luminaires (spiral version)
Pole height	5, 6, 7, 8 and 9 m
Installation type	Ground section and base plate
Finish	Polyester coating in RAL or Akzo Nobel Futura colours. Suggested colour: Platinum (Akzo Nobel Futura)
Certification	CE certification in accordance with standard EN40



Ocean Wooden pole

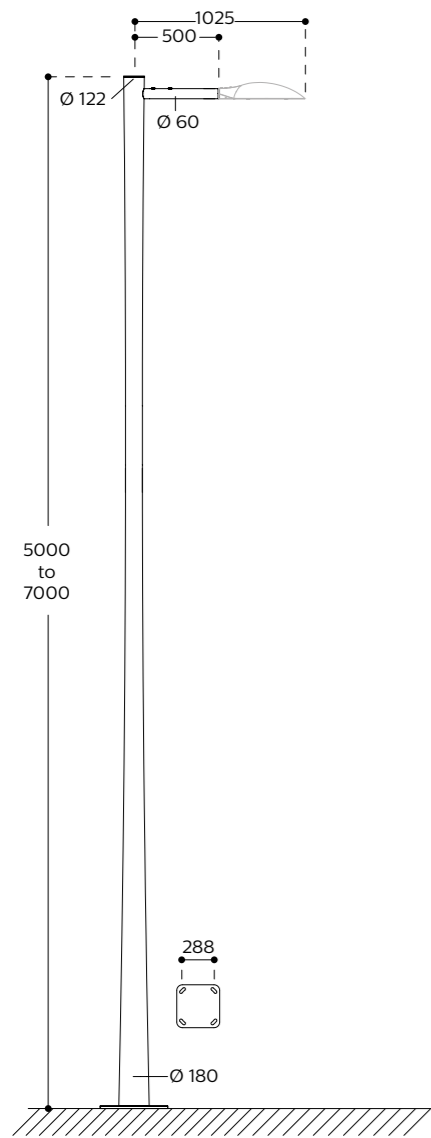
Technical specifications



Material	Laminated wood, steel (base) and aluminium (top point)
Mounting to luminaire	Side mounting. Dedicated Ocean Road with FD mounting system. Up to 4 luminaires (spiral version)
Pole height	5, 6, 7 and 8 m
Installation type	Ground section and base plate
Finish	Steel and aluminium part: polyester coating in RAL or Akzo Nobel Futura colours Suggested colour: Platinum (Akzo Nobel Futura) Wood: translucent coloured protection. Choice of colour: Light Oak, Dark Oak, Chestnut, Mahogany, Ebony, Spice, Cask, Memory, Origin and Mist
Certification	CE certification in accordance with standard EN40

Slend pole with bracket

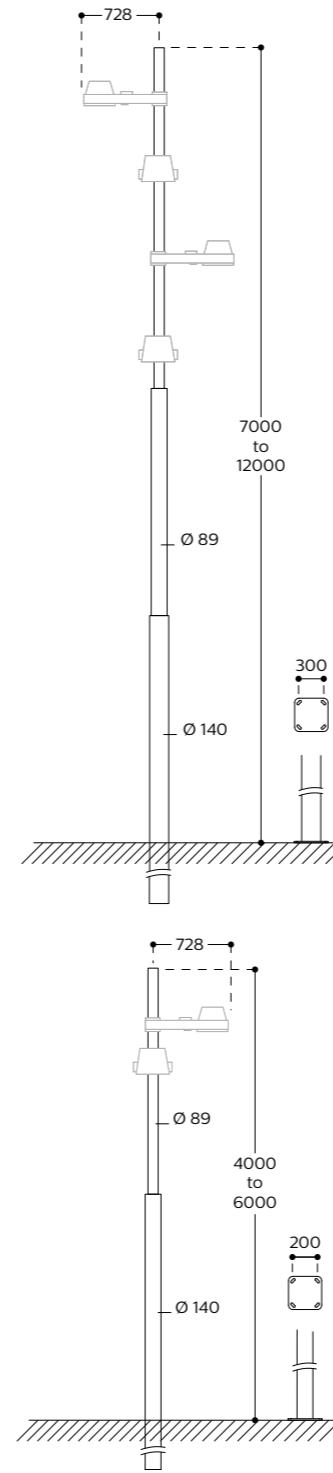
Technical specifications



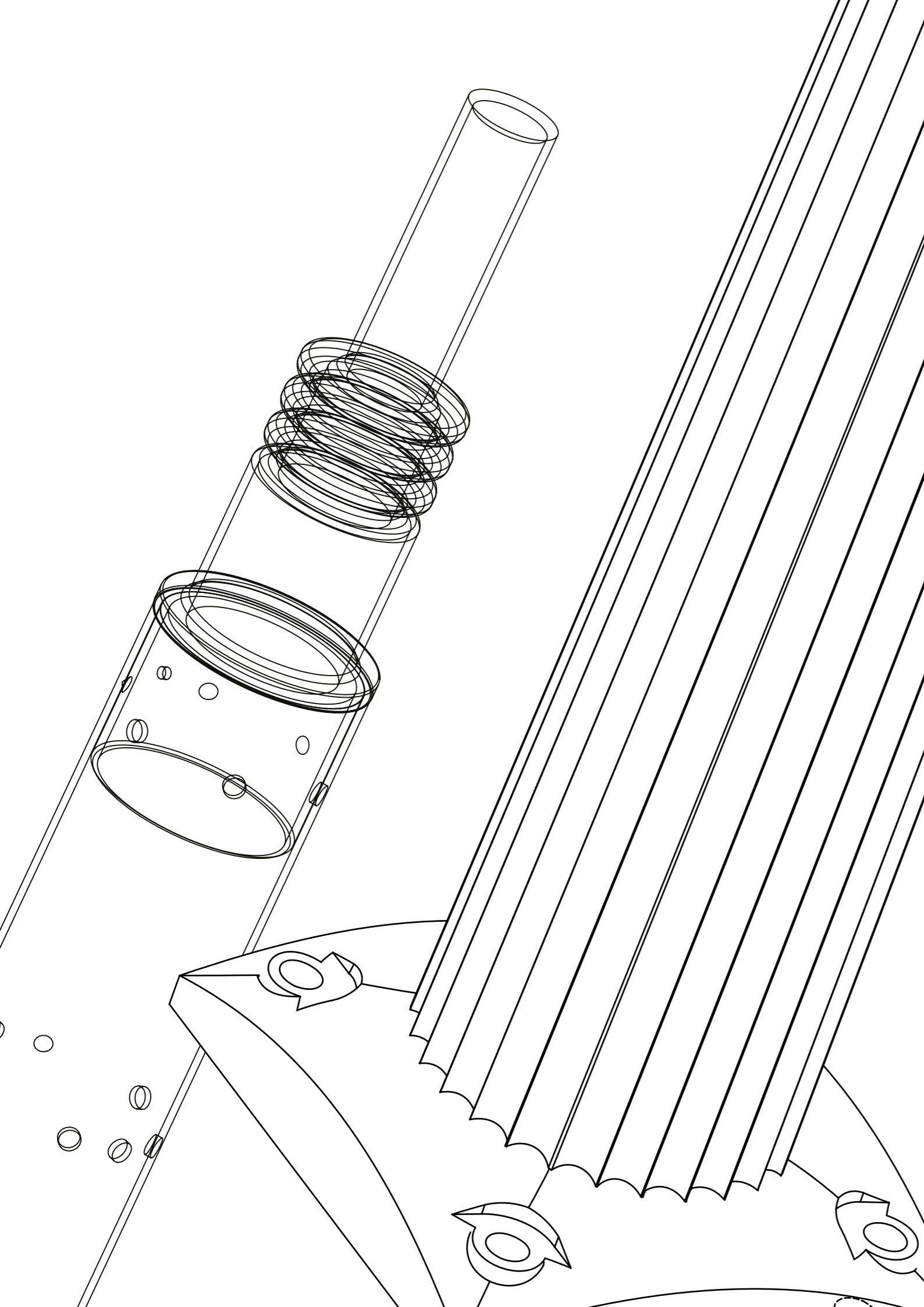
Pole	
Material	Aluminium
Top section diameter	122 mm
Base section diameter	180 mm
Pole height	5, 6 and 7 m
Tilt angle	0°
Installation type	Ground section and base plate
Finish	Polyester coating in RAL or Akzo Futura Gris 900 Sablé
Certification	CE certification in accordance with standard EN40
Bracket	
Material	Aluminium
Mounting to luminaire	Dedicated MileWide ² LED BRP 432 (side-entry Ø 48 mm)
Mounting to support	Side mounting
Tilt angle	0°
Finish	Polyester coating in RAL or Akzo Futura Gris 900 Sablé
Certification	CE certification in accordance with standard EN40

UrbanScene Stepped pole

Technical specifications



Material	Steel
Mounting to luminaire	Side entry: luminaire with short (300 mm) or long (1200 mm) bracket, installation at any position on a 76 or 90 mm pole (with cable housing)
Pole height	4 to 12 m
Installation type	Base plate
Finish	Philips Dark Grey (close to RAL 7022) Polyester coating in RAL or Akzo Nobel Futura colours
Certification	CE certification in accordance with standard EN40



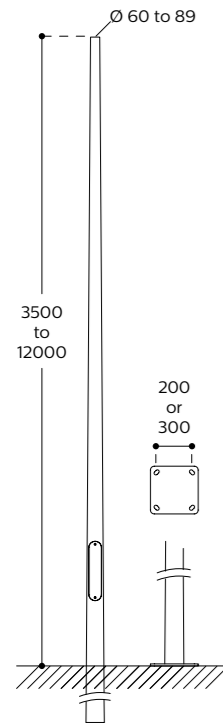
Standard poles

Accante	308	Curve with bracket	311
Acteo	308	Faro Applique	312
Actua	309	Faro Post-top	312
Aloa	309	UrbanBoca	313
Alteo	310	UrbanStar bi-colour	313
Altua	310	Vida pole	314
Boulevard with bracket	311	Woody Urban pole	314



Accante pole

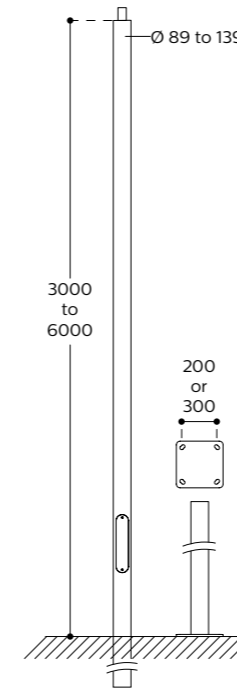
Technical specifications



Material	Steel
Mounting to luminaire	Direct post-top mounting. Option: 27 pdg (3/4"G) or 34 pdg (1"G) spigot, SØ60L70 spigot, SØ60L100 spigot, SØ76L70 or spigot SØ76L100 (spigot delivered separately mounting on pole with 2 x 4 screws)
Mounting to support	Side (inserts) Post-top tenon (2 x 4 threaded holes) Post-top cap
Pole height	3.5 to 12 m (depending on top diameter)
Installation type	Ground section and base plate
Finish	Invisible welding. Polyester coating in RAL or Akzo Nobel Futura colours
Certification	CE certification in accordance with standard EN40

Actua pole

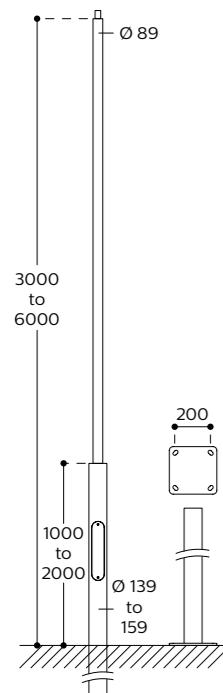
Technical specifications



Material	Steel
Mounting to luminaire	Post-top mounting. Specific top spigot SØ60L70 included as standard. Option: spigot SØ60L100, spigot SØ76L70, spigot SØ76L100 or spigot 27 pdg (3/4"G)
Mounting to support	Post-top tenon (2 x 4 inserts) Side (inserts)
Pole height	3, 3.5, 4, 4.5, 5, 5.5, 6, 7, 8, 9 and 10 m
Installation type	Ground section and base plate (depending on version)
Finish	Polyester coating in RAL or Akzo Nobel Futura colours
Certification	CE certification in accordance with standard EN40

Acteo pole

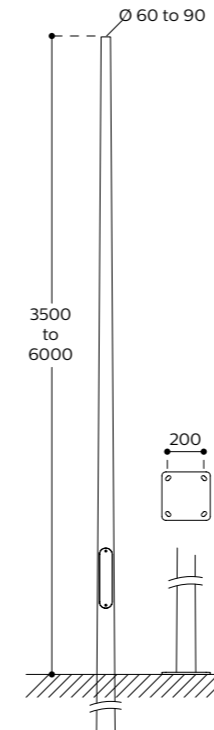
Technical specifications



Material	Steel
Mounting to luminaire	Post-top mounting. Specific top spigot SØ60L70 included as standard. Option: spigot SØ60L100, spigot SØ76L70 or spigot SØ76L100
Pole height	3, 3.5, 4, 4.5, 5, 5.5 and 6 m
Installation type	Ground section and base plate
Finish	Polyester coating in RAL or Akzo Nobel Futura colours
Certification	CE certification in accordance with standard EN40

Aloa pole

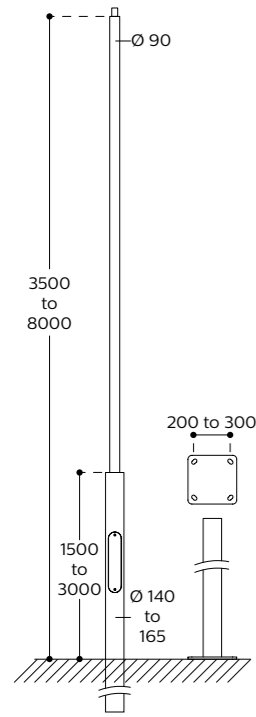
Technical specifications



Material	Aluminium
Mounting to luminaire	Post-top mounting
Mounting to support	Side (inserts) Post-top tenon (2 x 4 threaded holes) Post-top cap
Pole height	3.5, 4, 5 and 6 m
Installation type	Ground section and base plate
Finish	Polyester coating in RAL or Akzo Nobel Futura colours
Certification	CE certification in accordance with standard EN40

Alteo pole

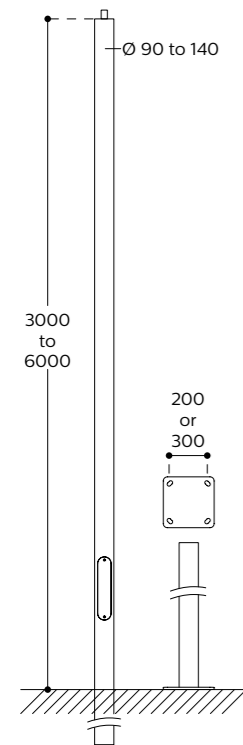
Technical specifications



Material	Aluminium
Mounting to luminaire	Post-top mounting. Specific top spigot SØ60L70 included as standard. Option: spigot SØ60L100, spigot SØ76L70, spigot SØ76L100 or spigot 27 pdg (3/4"G)
Pole height	3.5, 4, 4.5, 5, 6, 7 and 8 m
Installation type	Ground section and base plate
Finish	Polyester coating in RAL or Akzo Nobel Futura colours
Certification	CE certification in accordance with standard EN40

Altua pole

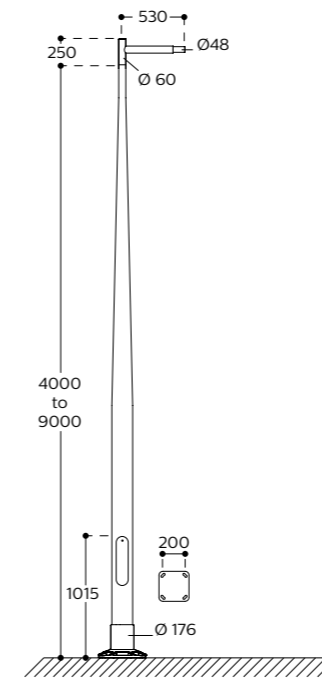
Technical specifications



Material	Aluminium
Mounting to luminaire	Post-top mounting. Specific top spigot SØ60L70 included as standard. Option: spigot SØ60L100, spigot SØ76L70, spigot SØ76L100 or spigot 27 pdg (3/4"G)
Mounting to support	Post-top tenon (2 x 4 inserts) Side (inserts)
Pole height	3, 3.5, 4, 4.5, 5, and 6 m
Installation type	Planted / flange plate
Finish	Polyester coating in RAL or Akzo Nobel Futura colours
Certification	CE certification in accordance with standard EN40

Boulevard pole with bracket

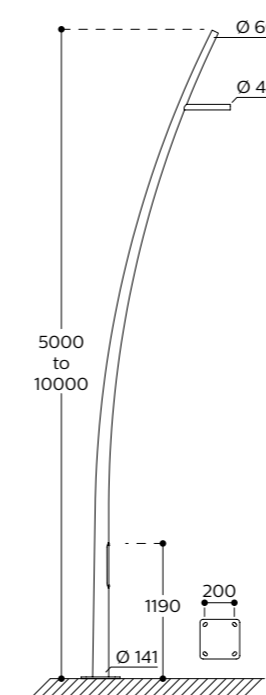
Technical specifications



Pole	
Material	Aluminium
Pole height	5, 6, 7, 9 and 10 m
Installation type	Base plate
Finish	Anodized. Standard finish: natural
Certification	CE certification in accordance with standard EN40
Bracket	
Material	Extruded aluminium
Mounting to luminaire	Side-entry Ø 48 mm
Mounting to support	Post-top: tenon mounting (2 x 4 M8 screws)
Tilt angle	0°
Finish	Polyester coating. Choice of colour: Swartsgrau, Alu grey, Graphite grey, Charcoal grey, Ocean blue, Moss green, Corten red or RAL colours
Certification	CE certification in accordance with standard EN40

Curve pole with bracket

Technical specifications

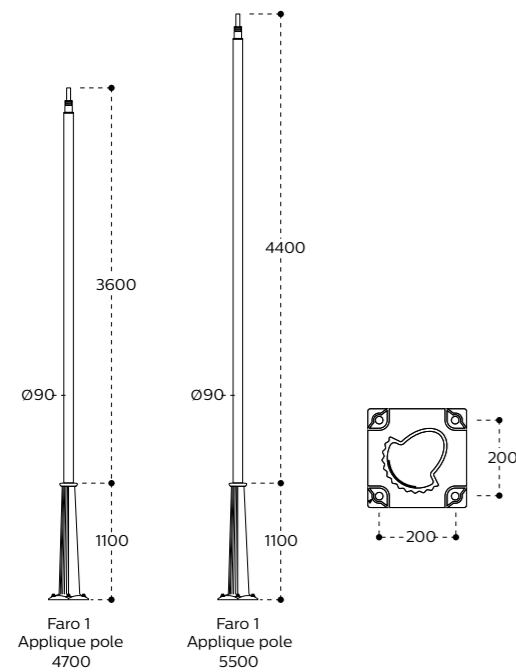


Pole	
Material	Steel
Pole height	5, 6, 7, 9 and 10 m
Installation type	Ground section
Finish	Galvanized. Polyester coating finish on option (Swartsgrau, Alu grey, Graphite grey, Charcoal grey, Ocean blue, Moss green and Corten red)
Certification	CE certification in accordance with standard EN40
Bracket	
Material	Steel
Mounting to luminaire	Side-entry Ø 48 mm
Tilt angle	0°
Finish	Galvanized. Polyester coating finish on option (Swartsgrau, Alu grey, Graphite grey, Charcoal grey, Ocean blue, Moss green and Corten red)
Certification	CE certification in accordance with standard EN40



Faro Applique pole

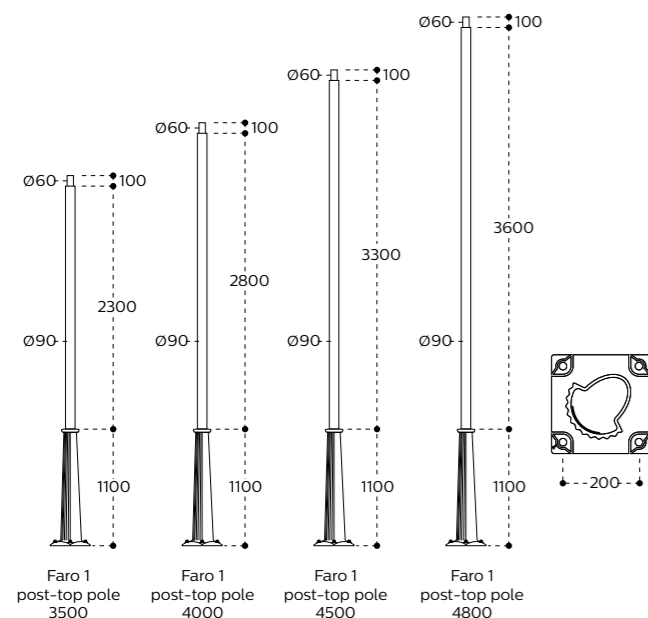
Technical specifications



Material	Aluminium
Pole height	4.7 and 5.5 m
Installation type	Base plate
Finish	Satin Silver Grey (close to RAL 9006) Philips Ultra Dark Grey (close to RAL 7022) Other RAL or Akzo Nobel Futura colours available on request
Certification	CE certification in accordance with standard EN40

Faro Post-top pole

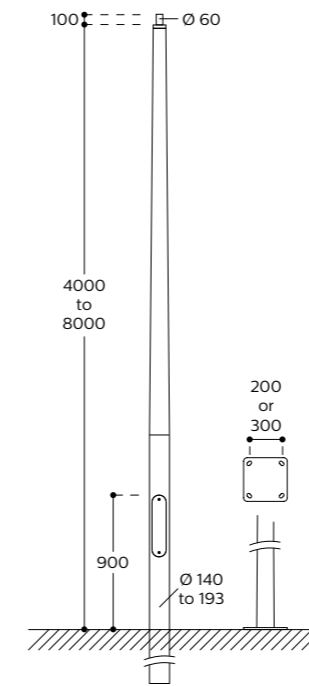
Technical specifications



Material	Aluminium
Pole height	3.5, 4, 4.5 and 4.8 m
Installation type	Base plate
Finish	Satin Silver Grey (close to RAL 9006) Philips Ultra Dark Grey (close to RAL 7022) Other RAL or Akzo Nobel Futura colours available on request
Certification	CE certification in accordance with standard EN40

UrbanBoca pole

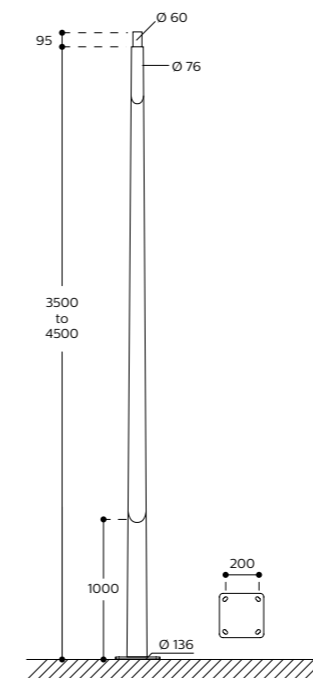
Technical specifications



Material	Laminated wood and steel (base)
Mounting to luminaire	Post-top. Specific top spigot SØ60L100 spigot included as standard
Mounting to support	4, 5 and 6 m
Tilt angle	Ground section
Finish	Steel: polyester coating finish. Colour choice: Silver grey, graphite grey, dark bronze or black Wood: translucent coloured protection. Colour choice: amber, brown, bark, mahogany, light grey, grey, pitch black, black
Certification	CE certification in accordance with standard EN40

UrbanStar bi-colour pole

Technical specifications

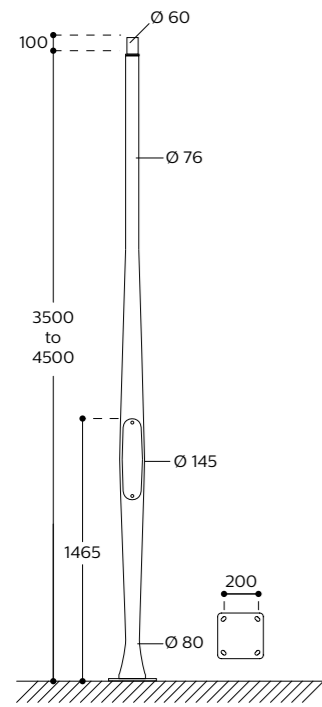


Material	Steel
Mounting to luminaire	Post-top mounting. Specific top spigot SØ60L95 included
Pole height	3.5, 4 and 4.5 m
Installation type	Ground section and base plate
Finish	Polyester coating in RAL colours
Certification	CE certification in accordance with standard EN40



Vida pole

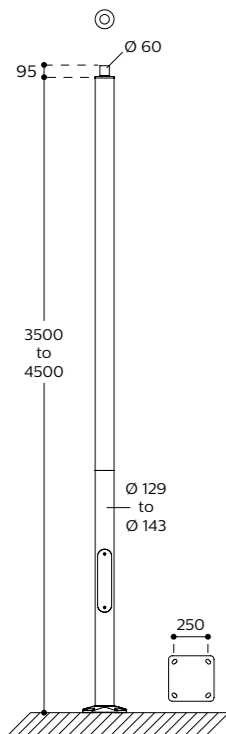
Technical specifications



Material	Aluminium
Mounting to luminaire	Post-top mounting. Specific top spigot SØ60L95 included
Pole height	3.5, 4 and 4.5 m
Tilt angle	0°
Installation type	Base plate
Finish	Polyester coating finish. Standard colour: Philips Ultra Dark Grey 10714. Other colours available on request
Certification	CE certification in accordance with standard EN40

Woody Urban pole

Technical specifications



Material	Laminated wood and steel (base)
Mounting to luminaire	Post-top mounting. Specific top spigot SØ60L95 included
Pole height	3.5, 4 and 4.5 m (length 95 mm), 4, 5 and 6 m (length 100 mm)
Tilt angle	0°
Installation type	Base plate
Finish	Steel: polyester coating finish. Colour choice: Silver grey, graphite grey, dark bronze or black Wood: translucent coloured protection. Colour choice: amber, brown, bark, mahogany, light grey, grey, pitch black, black
Certification	Laminated pine from PEFC certified forest (PEFC: Program for Endorsement of Forest Certification)

Pole installation

Base plates

Steel and aluminium poles

Any failure to follow the assembly instructions and recommendations could lead to a risk of injury or damage to property.

Pole strength calculation

The poles are designed to withstand a given and known load, in accordance with the stresses encountered in a geographical zone and location. Any addition of accessories (banner, garlands, planters, signboards etc.) must absolutely be first verified by our technical support department.

All the poles are supplied with anchor bolts that are sized for a given location and load. The project owners are responsible for the dimensions of the foundation block. The dimensions provided by our technical support department are stated for guidance only and must be validated by a specialized civil engineering company.

Pole mounting

With all types of assembly, it is imperative to provide a drain to carry condensation water from the pole out of the concrete. When aluminium poles are used with steel anchor bolts, anti-torque washers are provided and must necessarily be put in place. Cover the heads of bolts and nuts with a protective cap filled with grease in order to keep them safe from oxidation and allow the annual maintenance of poles (tightening). The base plate of the pole should not be covered. If the pole is installed in the ground (ground section), the foot of the pole and the base plate must be protected by means of chemically and electrically insulating coating, such as of the bituminous type.

Recommended assembly

Install poles with base plates directly on the foundation (concrete foundation block), which must be smooth, flat and horizontal (fig. 1 and 2).

Assembly with semi-rigid system

A semi-rigid device may be used between the base plate and the concrete foundation block in order to keep the support vertical and make sure that the base plate is placed correctly (fig. 3).

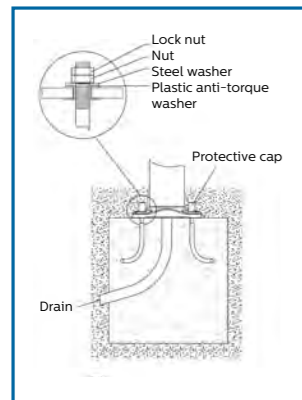


fig. 1 - Aluminium pole

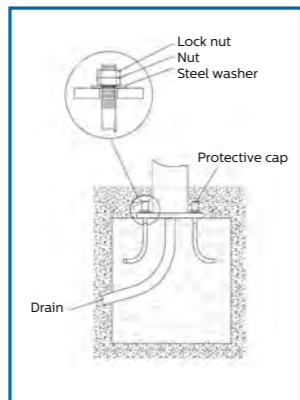


fig. 2 - Steel pole

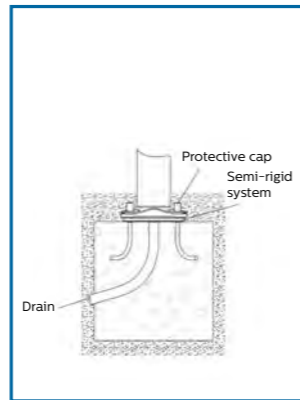


fig. 3 - Semi-rigid device

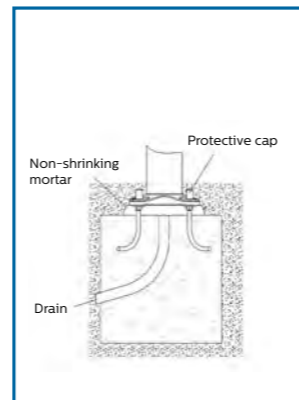


fig. 4 - Assembly on nuts

 Concrete foundation block  Ground

Assembly on nuts

Offset assembly on nuts is tolerated on the only condition that the free space under the base plate is filled with non-shrinking filling mortar (fig. 4).

Preparation of poles

For use in sea coast side locations, we recommend the use of paint that is suited to highly salty environments.

Bitumen protection

Anti-corrosion protection applied at the foot of the pole and on the base plate at a standard height of 300 mm, as an option.

Storage of poles

Poles may not be stored directly on the ground or near powdery material storage areas. Ventilation must be provided for long-term storage and the metal bands must be removed.

Maintenance of poles

For annual maintenance, the recommendations of the lighting syndicate will determine the application of the guarantee.

- Check the mounting of brackets, luminaires and accessories
- Check if all the fasteners are present and properly tightened
- Check if the bracket and luminaire are properly fitted
- Clean the surface of the pole with soapy solution if the poles are made of brushed aluminium or galvanized steel and use a polishing agent for coated poles
- Check starting corrosion or cracking in poles in order to take action as early as possible.
- Passive safety (impact resistance class)

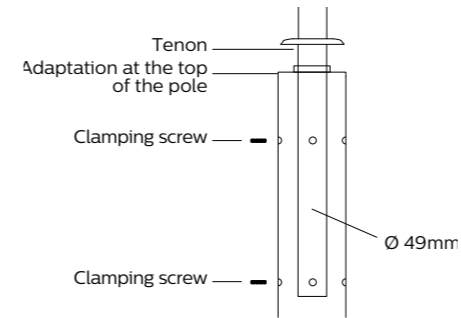
Philips poles belong to Class 0 (EN40). The mechanical strength of a pole is compromised when it is involved in an accident. The pole should then be removed and made safe.

Pole adaptors



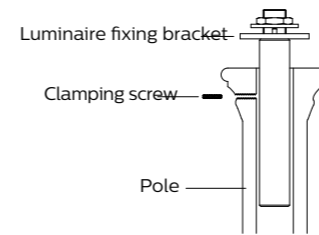
Adaptor for Saxo and Hautbois stepped poles Ø 168 / 114 mm

The brackets with tenon stop are compatible with the stepped poles Saxo and Hautbois Ø 168 / 114 mm, by using a special adaptor welded to the pole top Ø 49 mm.



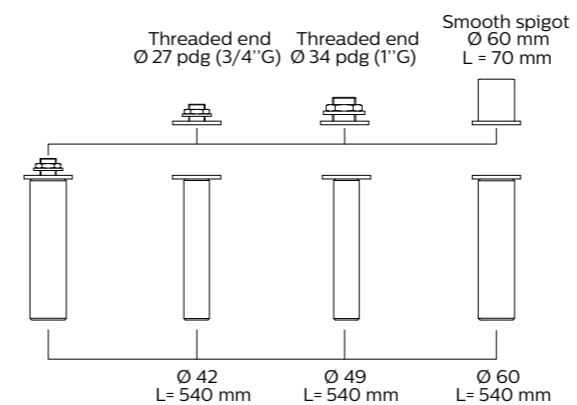
Adaptors for cast iron pole

All the cast iron poles are designed for tenon Ø 49 mm or a luminaire mounting bracket. The top of the pole is equipped with a row of clamping screws for fixing a luminaire mounting bracket.



Luminaire mounting adaptor




A luminaire mounting adaptor installs the luminaire to the cast iron pole. The lower section, with different diameters, is inserted into the pole and held by using clamping screws. The upper section contains a threaded end Ø 27 pdg (3/4" G), Ø 34 pdg (1" G) or a smooth spigot Ø 60 mm x 70 mm for fixing the luminaire.



Pole accessories

Pole caps

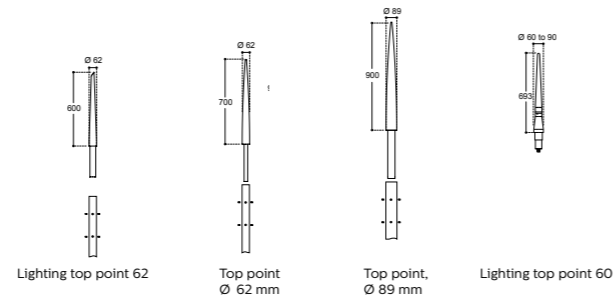
Caps are made of cast aluminium. They are blocked and positioned using three stainless steel screws. Polyester coating finish in RAL or Akzo Nobel Futura colours.

-  Standard cap for pole top or bracket, Ø 62, 76, 90, 100, 120, 140 mm, B60, B75, B90, B100, B120, B140
-  Flat cap for pole top or bracket, Ø 62, 76, 90, 120, 140 mm, BP62, BP75, BP90, BP120, BP140
-  Bevelled cap for top of pole or bracket, Ø 60 mm, B160
-  Lighting cap for top of pole or bracket Ø 60 mm, Colours available: clear, blue, red or green

Pole top point

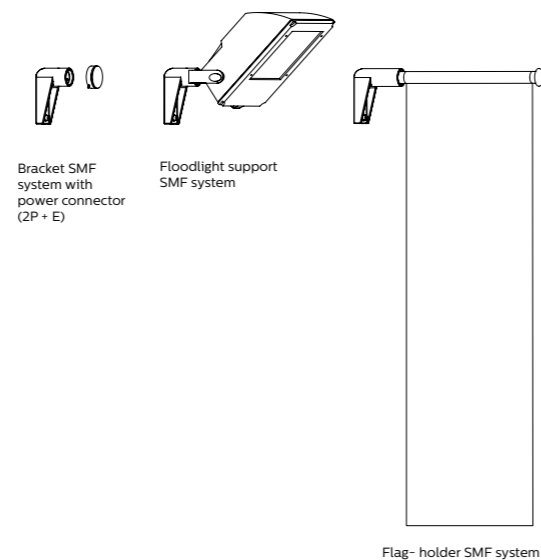
Pole top points are made of cast aluminium or methacrylate. Pole top assembly is carried out by means of a tenon; mounting and adjustment is with inserts or punctured on the pole.

- **Top point Ø 62 mm**
Material: cast aluminium and methacrylate
Mounting to pole: Post-top tenon. Mounting and adjustment with inserts or punctured on the pole.
Finish: Polyester coating in RAL or Akzo Nobel Futura colours.
Compatible with pole top Ø 60 / 62 mm punctured (steel) or with internal tapped (aluminium).
- **Top point Ø 89 mm**
Material: cast aluminium and methacrylate
Mounting to pole: Post-top tenon. Mounting and adjustment with inserts or punctured on the pole.
Finish: Polyester coating in RAL or Akzo Nobel Futura colours.
Compatible with pole tops Ø 89 / 90 mm punctured (steel) or with inserts (aluminium).
- **Lighting top point 62**
Material: cast aluminium and methacrylate
Mounting to pole: Post-top tenon. Mounting and adjustment with inserts or punctured on the pole.
Finish: Polyester coating in RAL or Akzo Nobel Futura colours.
Compatible with pole tops Ø 60 / 62 mm punctured (steel) or with internal tap (aluminium).
Integrate a lighting technical system with LEDs for illumination at night. Available colours: White, Blue, Red or Green.
- **Lighting top point 60**
Material: cast aluminium and methacrylate
Mounting to pole: Post-top tenon. Mounting and adjustment with inserts or punctured on the pole.
Finish: Polyester coating in RAL or Akzo Nobel Futura colours.
Compatible with pole tops Ø 60 / 62 mm, 80 or 90 mm punctured (steel) or with internal tap (aluminium).
Integrate a lighting technical system with LEDs for illumination at night. Available colours: White, Blue, Red, Green, Cyan, Royal Blue, Red Orange, Amber.



Multifunction bracket (MSF)

Cast aluminium mounting bracket designed for installing different accessories on a pole: flag holder, spotlight bracket, floral bracket, power connector and lighting decoration. Polyester coating finish in RAL or Akzo Nobel Futura colours.



Pole certification



Standard EN40 relating to poles

All the compositions have been made in strict compliance with standard EN40. For any requests for products that are not in the catalogue or for stronger wind zones, please contact our sales support department if we can design products to meet the resistance requirements of your project.

European standard EN 40 applies to all public lighting poles made of steel, aluminium, composite or concrete as well as straight poles that do not exceed 20 meters, poles with brackets that do not exceed 18 meters and straight poles fitted with spotlights that are less than 15 meters high.

Standard EN40 defines the methodology of verification of a pole by calculation or by mechanical testing. It also specifies the compliance tests that are to be carried out while manufacturing poles. It requires CE certification for poles.

All public lighting poles made of steel and aluminium are calculated by our R&D department according to:

- EN40-3-1 Specification for characteristic loads
- EN40-3-3 Verification by calculation

A verification by calculation takes into account all the fixing elements of a complete lighting point such as anchor bolts, base plates, poles, bracket mounting, brackets, luminaires and accessories.

CE certification of poles

CE certification is mandatory. It authorizes the release of products in the market. Certification is issued by organizations notified by the Member States of the European Union.

A label with the CE mark is put on all poles, on the service door. The label also bears the name of the company, the number of the certifying organizations, the approval number of the company and the product code. With every invoice, you will be given a document with general information about the product and its agreed value. That value is calculated on the basis of the elements defined by the standard for the 24m/s wind area, the terrain category 2 and the deformation class 3.

