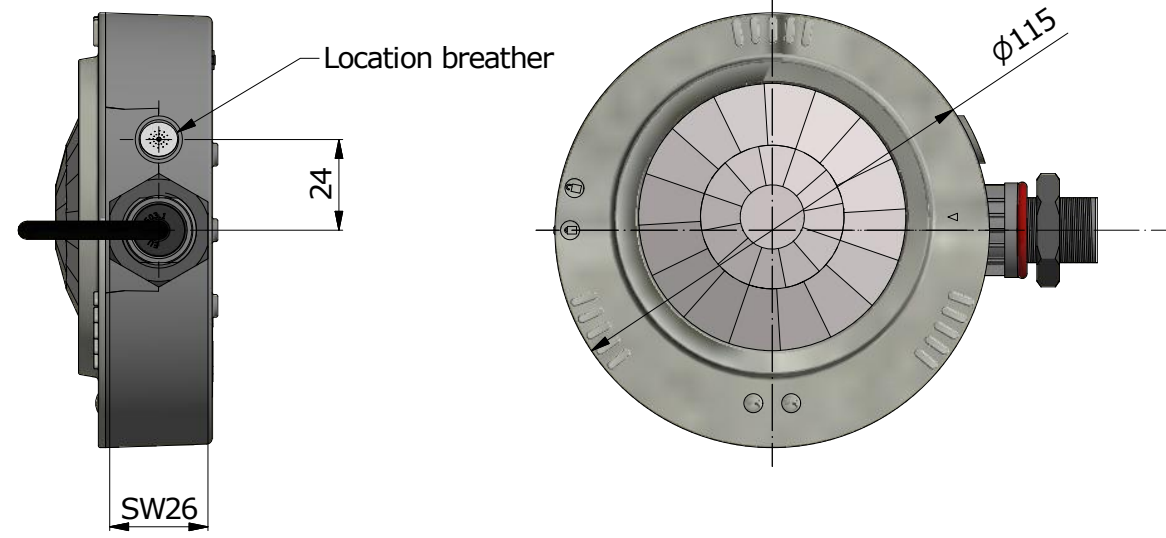


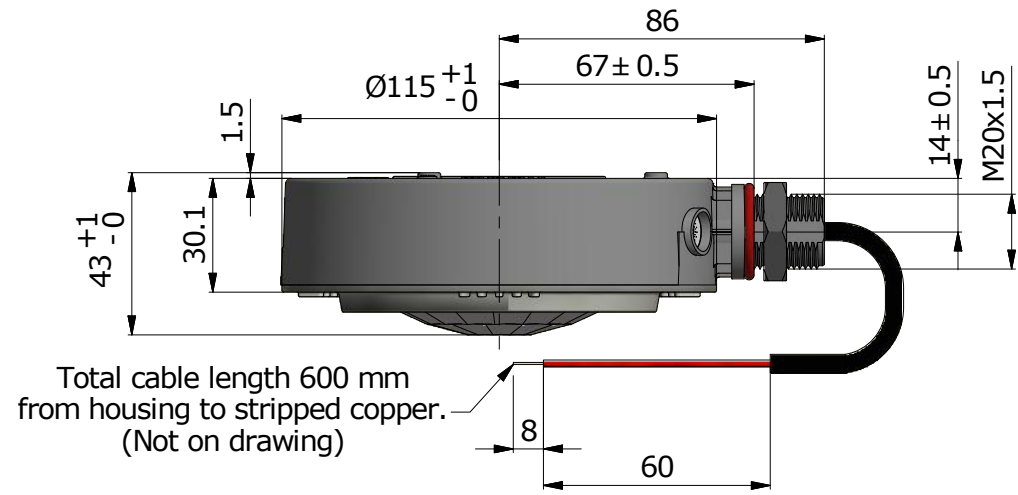
1 2 3 4 5 6 7 8

a



b

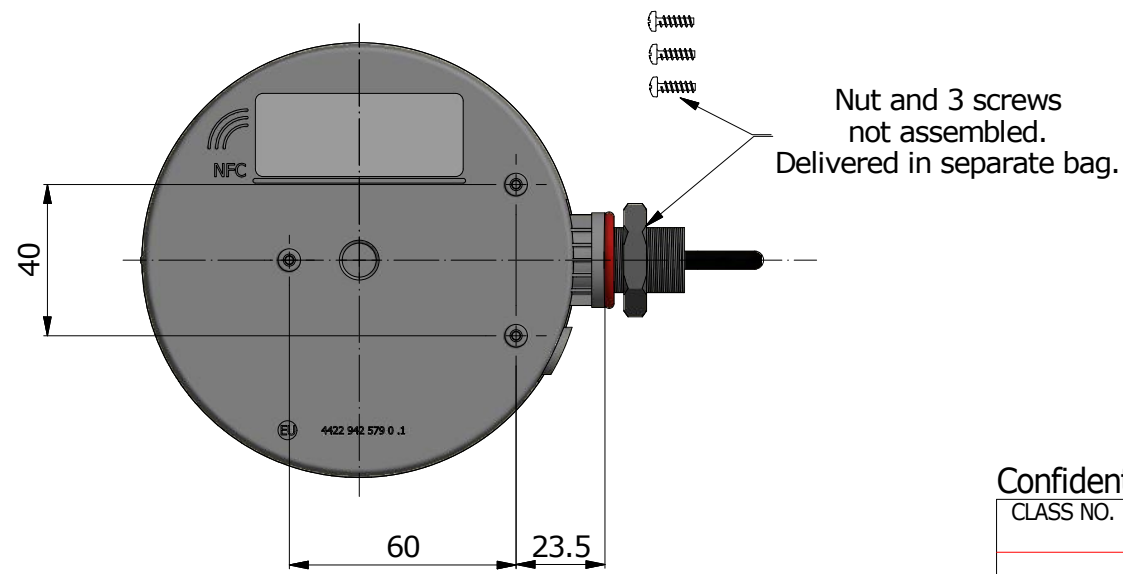
c



d



e



f

All rights are reserved. Reproduction in whole or in part is prohibited without the written consent of the copyright owner.

Confidential

CLASS NO.	EasyAir SNH200 EU	9290-016-25700	2018-02-26
			2018-04-19
NAME W. Görts	SUPERS.	2 SH.SH. 112 - 1	A3
DATA FMT.	PROGR.	PLATF.	
CAD	CHECK	DATE 2/19/2018	© Philips Electronics N.V. 2002