



PHILIPS



Fortimo

LED system

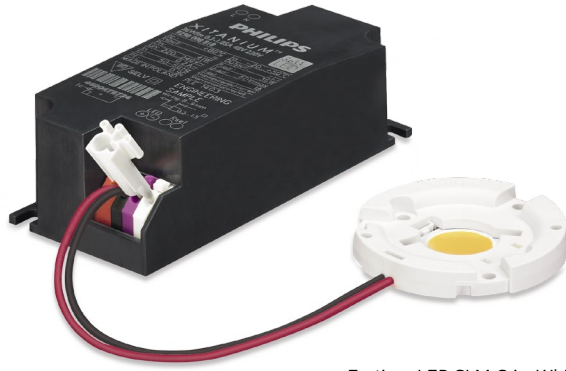
SLM CrispWhite

Intense
whites and
rich **colors**
in retail

Indoor lighting

Fortimo LED SLM CrispWhite

Quality of light



Fortimo LED SLM CrispWhite

Introducing Fortimo LED SLM CrispWhite

“

Take LED light
quality to new
exceptional levels”



Fortimo SLM CrispWhite at a glance:

- Unique combination of white rendering and rich colors from one LED source
- Chip-On-Board (COB) LED technology
- Powerful, compact and uniform light source
- Excellent beam control, small beam angle
- Long lifetime > 50,000 hours
- CRI 92 for deep, rich colors

Retailers want lighting that makes the colors of clothes and fabrics appear rich, intense and vivid. And LED spot light sources with a warm color temperature are perfect for the job. Unfortunately, until now they tended to make whites look off-white or yellowish. But that's all set to change – because with the new Fortimo LED SLM CrispWhite modules you can give your customers the best of both worlds: vivid colors and intense, pure whites.

A unique color experience

Fortimo LED SLM CrispWhite is a unique solution that offers unparalleled rendering of white and colors with one light source. It's the first retail LED lighting solution to make whites appear pure and bright while at the same time making other colors appear warm, saturated and intense. That's because it offers two color temperatures with a single lamp – 4000 K for whites and 3000 K for colors. The result is an extremely attractive display that presents a totally new color experience to shoppers. One that shows all the store's merchandise in the best possible light.

Fortimo LED SLM CrispWhite creates the most attractive retail experience with authentic rendering to bring out the true colors in merchandise.



CrispWhite light everywhere

Fortimo LED SLM CrispWhite is suitable for the two main applications in retail lighting. Designed to be used in accent spotlights and general downlighting, it creates color consistency across all light sources in the store. It means retailers can enjoy all the advantages of LED such as high energy efficiency, outstanding light quality and a long lifetime. But with the added benefit of enhanced rendering for both whites and colors – something that, until now, has only been possible with conventional light sources.

The smart system for spotlights

Fortimo LED SLM CrispWhite is designed to work with Xitanium LED drivers, a smart system approach that offers:

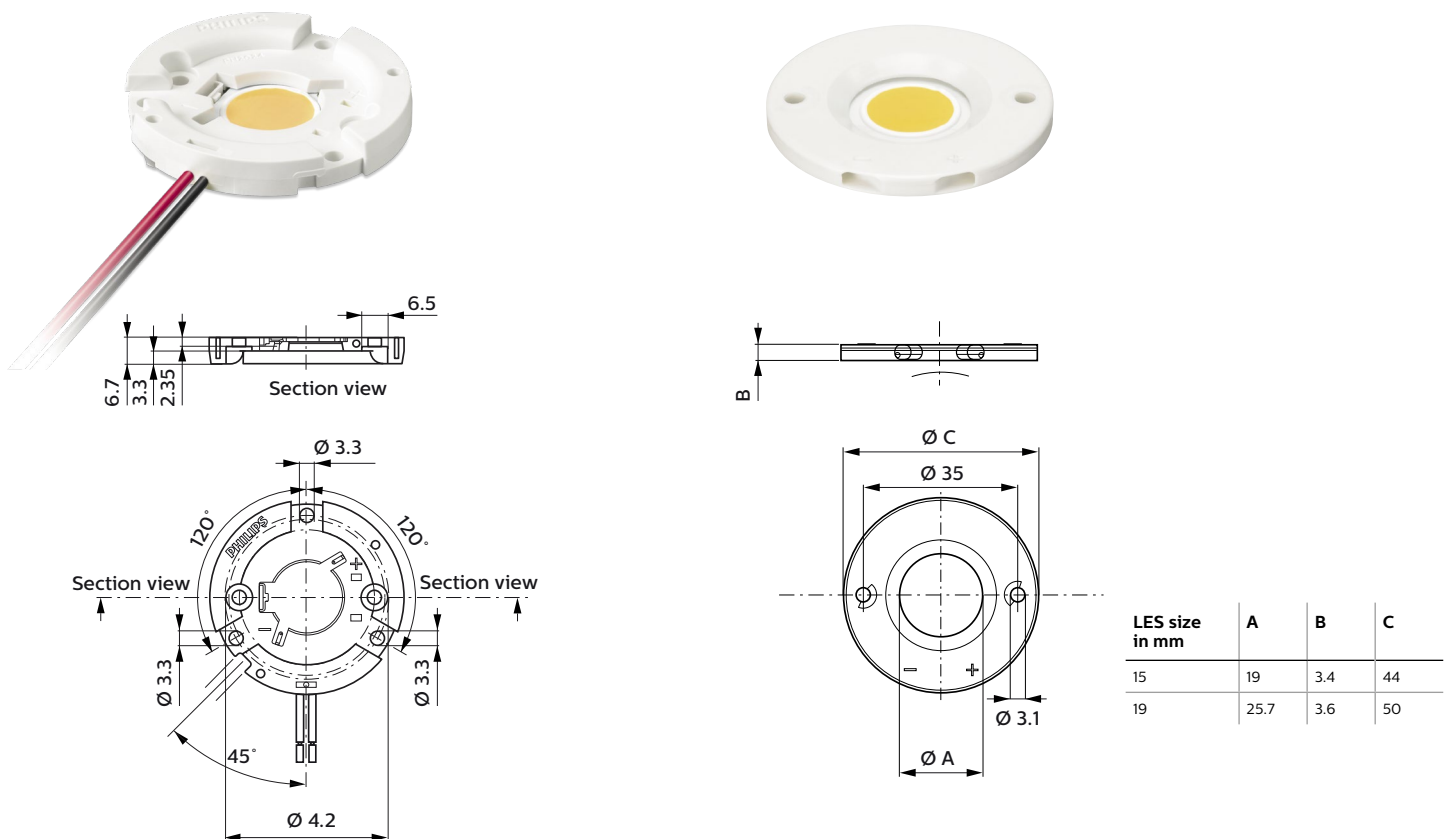
- optimized system performance, maximum flexibility
- dimming systems such as Touch & Dim and DALI for scene setting and additional energy savings
- easy design-in possibilities with extended Tc up to 95 °C for further miniaturization
- REACH and RoHS-certified for quick and easy luminaire approbation.

Maximized flexibility

The new modules come with a choice of three different holder options:

- Standard: holder with two fixed, pre-molded connection wires (60 cm, pre-tinned)
- Downlight: holder with two fixed, pre-molded connection wires (60 cm, tin-dipped) with an extra sleeve to accommodate strain relief
- Poke-in: holder without fixed wires, but with two connection points allowing users to mount their own wires.

Dimensions (mm)



Standard and downlight version

Poke-in version

Specifications and ordering details

Fortimo LED SLM CrispWhite

Product description	Light output	Module power	Module efficacy	System efficacy	Color rendering	Color consistency	TC life module	B50/L70 at max Tc life
	lm	W	lm/W	lm/W	index Ra	SDCM	°C	hrs
Fortimo LED SLM 3000lm 930 CW L15 G4	2770	34	82	71	92	3	85 °C	>50,000
Fortimo LED SLM 3800lm 930 CW L19 G4	3610	42	85	75	92	3	85 °C	>50,000
Fortimo LED SLM 3000lm 930 DL CW L15 G4	2770	34	82	71	92	3	85 °C	>50,000
Fortimo LED SLM 3800lm 930 DL CW L19 G4	3610	42	85	75	92	3	85 °C	>50,000
Fortimo LED SLM 3000lm 930 PI CW L15 G4	2770	34	82	71	92	3	85 °C	>50,000
Fortimo LED SLM 3800lm 930 PI CW L19 G4	3610	42	85	75	92	3	85 °C	>50,000

DL refers to double isolated connection cables to accommodate strain relief. PI refers to Poke-In holder (no fixed, pre-molded wires).

Ordering data

System consists of SLM CrispWhite module (CoB with holder), driver and Rset. Each item should be ordered separately.

Fortimo LED SLM CrispWhite module

Type	Units per pack	EOC code	12NC code
Fortimo LED SLM 3000lm 930 CW L15 G4	20	8718291 783558 00	9290 009 03306
Fortimo LED SLM 3800lm 930 CW L19 G4	20	8718291 783572 00	9290 009 03406
Fortimo LED SLM 3000lm 930 DL CW L15 G4	20	8718696 417584 00	9290 009 29906
Fortimo LED SLM 3800lm 930 DL CW L19 G4	20	8718696 417607 00	9290 009 30006
Fortimo LED SLM 3000lm 930 PI CW L15 G4	20	8718696 432341 00	9290 009 37506
Fortimo LED SLM 3800lm 930 PI CW L19 G4	20	8718696 432365 00	9290 009 37606

Fortimo LED SLM Gen4 Driver

Module type	LED driver	Required Rset	EOC code	12NC code
Fortimo LED SLM 3000lm 930 CW L15 G4	Xitanium 36W LH 0.3-1A 48V I 230V	3090 Ω	8718291 666448 00	9290 008 38903
	Xitanium 36W/s 0.3-1A 48V 230V	3090 Ω	8718291 697862 00	9290 008 39003
	Xitanium 36W/m 0.3-1.05A 48V 230 V *	3090 Ω	8718291 750277 00	9290 008 81806
	Xitanium 36W LH 0.3-1A 48V TD/I 230V	3090 Ω	8718291 729037 00	9290 008 70806
	Xitanium 36W/s 0.3-1A 48V TD 230V	3090 Ω	8718291 770947 00	9290 008 97606
	Xitanium 50W/s 0.9-1.4A 48V 230V	3090 Ω	8718291 777588 00	9290 008 99306
	Xitanium 50W LH 0.7-1.5A 48V TD/I 230V	3090 Ω	8718291 782360 00	9290 009 04106
	LED Driver 50W 0.7-1.5A 44V I 230V **	3090 Ω	6923410 748277 00	9290 008 92606
Fortimo LED SLM 3800 lm 930 CW L19 G4	Xitanium 50W/s 0.9-1.4A 48V 230V	4870 Ω	8718291 777588 00	9290 008 99306
	Xitanium 50W LH 0.7-1.5A 48V TD/I 230V	4870 Ω	8718291 782360 00	9290 009 04106
	LED Driver 50W 0.7-1.5A 44V I 230V **	4870 Ω	6923410 748277 00	9290 008 92606

* This driver with type poke-in resistor, others with JST.

** Availability to be checked with your local Philips representative.

Rset	Value	EOC code	12NC code
Fortimo LED Rset 950mA	3090 Ω	8718696 402078 00	9290 009 13106
Fortimo LED Rset 950mA connector	3090 Ω, type JST	8718696 402092 00	9290 009 13206
Fortimo LED Rset 1200mA	4870 Ω	8718696 402115 00	9290 009 13306
Fortimo LED Rset 1200mA connector	4870 Ω, type JST	8718696 402139 00	9290 009 13406

Other settings are possible using different resistor values. Please refer to the SLM Gen4 Design-In guide for further details.



