



Philips Club lighting range featuring the
ELC/10H LONG LIFE
Stable light, reliable and long lasting

The ELC/10H Long Life compact filament provides an average of 1000 hours of pure, evenly distributed light with 20% more brightness output.

Long life results in less lamp replacement hence less operating costs
Minimizes shadow forming and hotspots.

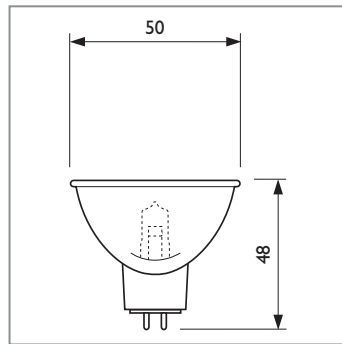
PHILIPS

APPLICATION: DJ AND CLUB LIGHTING

Features	Benefits
ELC/10H Long Life	
Average lifespan of 1000 hrs	Lower lamp replacement costs
Even light distribution	Allows creative use without hotspots or shadows
White light: 3400K	Pure colors on stage
Compact filament	More light in the beam



ELC/10H



ELC/10H

Dimensions in mm

The full Philips Club Lighting range

Type	ANSI code	LIF code	Lamp voltage V	Lamp wattage W	Reflector diameter in mm	Reflector surface	Reflector coating	Burning position	Cap/base	Lamp life h	EOC 87 11500..	Ordering number
6834 / 5H	EFP/5H	A1/231-5H	12	100	50	Smooth	Dichroic	Any	GZ 6.35	500	42999560	9240 565 17100
6834 / 8H	EFP/8H	A1/231-5H	12	100	50	Smooth	Dichroic	Any	GZ 6.35	800	43683260	9240 594 17100
6423 / 5H	EFR/5H	A1/233-5H	15	150	50	Smooth	Dichroic	Any	GZ 6.35	500	40953960	9240 592 18500
JCR 24V 250W 5H	ELC/5H	A1/259-5H	24	250	50	Smooth	Dichroic	Any	GX 5.3	500	41347530	9248 627 20500
JCR 24V 250W 10H	ELC/10H	A1/259-10H	24	250	50	Smooth	Dichroic	Any	GX 5.3	1000	43686330	9249 132 20540



PHILIPS PINCH PROTECTION TECHNOLOGY = P3

- **Reliability**, through longer lifetime and fewer early failures.
- **Quality**, through excellent storage characteristics and consistent performance over time.
- **Compactness**, allowing more compact design of fixtures and burning positions.

Philips P3 technology	max 500 °C pinch temperature
Competitive technology	max 450 °C pinch temperature
No pinch protection	max 350 °C pinch temperature

