

PHILIPS
Day-Brite
CFI



Industrial

FBX high bay



Enjoy **flexibility**
and **savings**
along with quality
illumination

An economical LED high bay

Enjoy **flexibility** and **savings** along with quality illumination

The Philips Day-Brite / Philips CFI LED high bay FBX is a compact and economical luminaire utilizing the latest in LED technology.

With several lumen packages and optical distribution patterns available, the FBX offers exceptional lighting in mid to high ceiling applications. Save energy without straining your project budget or sacrificing your light output.



2' FBX

The 2' FBX is available in both extruded and sheet metal construction (sheet metal shown in photos). It is also available in both narrow (14.75") and wide (24") housings to allow a variety of lumen packages.

FBX08L
FBX12L



FBX16L
FBX20L
FBX24L



FBX08L, FBX12L, FBX16L, FBX20L, FBX36L, and FBX45L via Grainger Sourcing

FBX16L – SKU 48LU82
FBX24L – SKU 48LU81



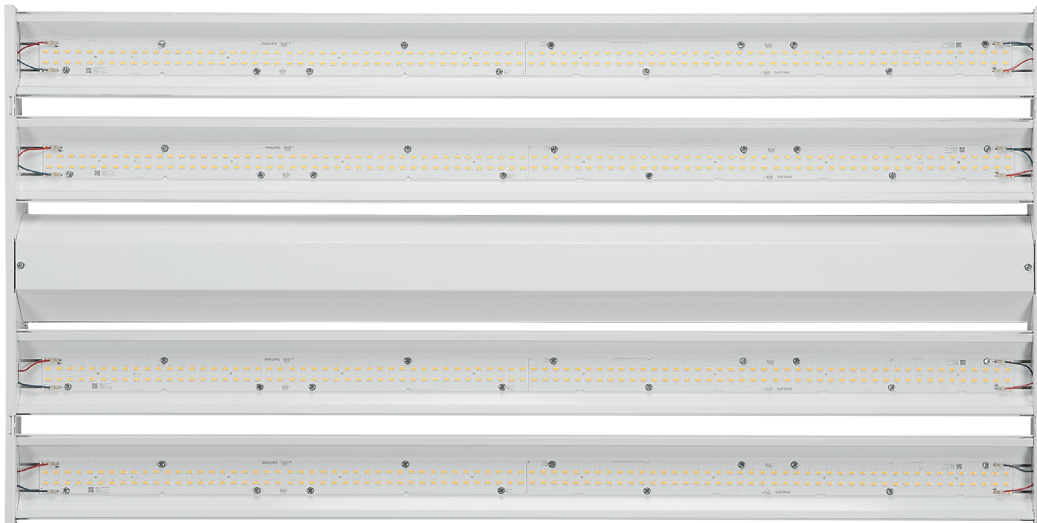
FBX high bay

At a glance

4' FBX

The extruded construction of the 4' FBX provides better heat dissipation for higher ambient applications. Available in wide housing only, this luminaire is suitable for high lumen applications.

FBX36L
FBX45L



Gain **versatility** without sacrificing **continuity**

For maximum versatility, the FBX features 7 lumen packages with efficacies up to 115 LPW, 5 optical configurations, and 3 lens options.

Its modular design provides the flexibility of different outputs and multiple distributions, all from the same basic luminaire construction, allowing you to choose just the right solution for each space within your application, while maintaining fixture continuity.



FBX with Clear Acrylic Lens (LCA) option



FBX general distribution (no optics)



FBX with Frosted Acrylic Lens (LFA) option



FBX with optics (Narrow, Medium, Wide, or Aisle)



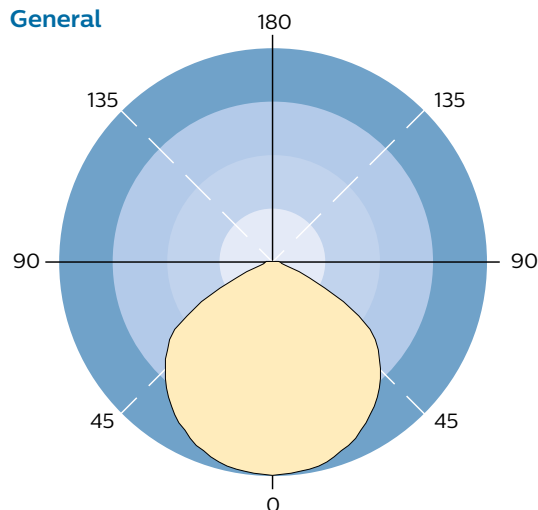
FBX with Prismatic Acrylic Lens (LPA) option

Choose your optical distribution

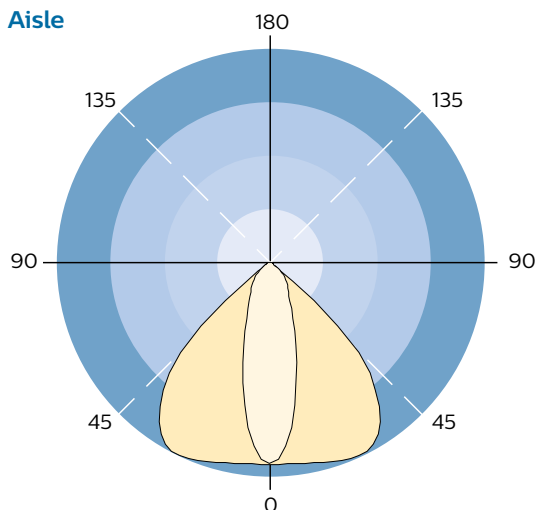
Each optic is designed for a specific purpose.

The general distribution allows a wash of light in any application. The aisle beam has an asymmetric distribution for aisle or rack areas. The narrow beam allows focused light in higher ceiling areas. The medium beam is tailored for mid mounting heights. The wide beam is perfect for low bay areas or locations with wider fixture spacing.

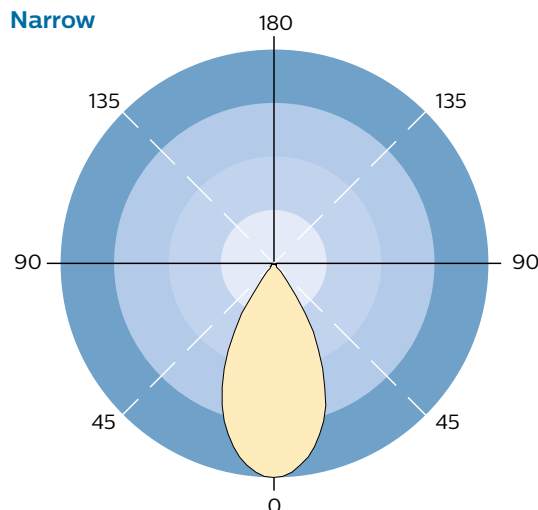
General



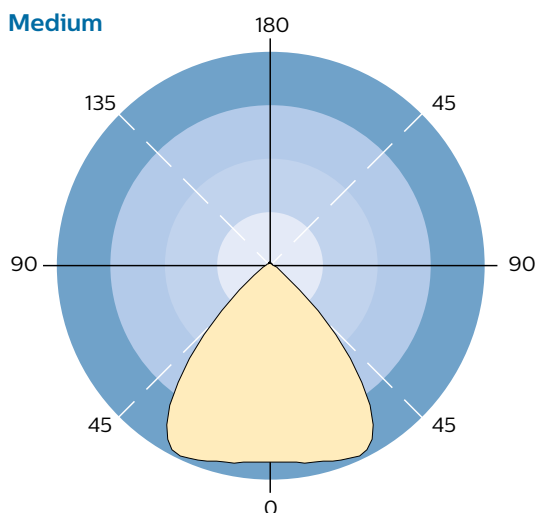
Aisle



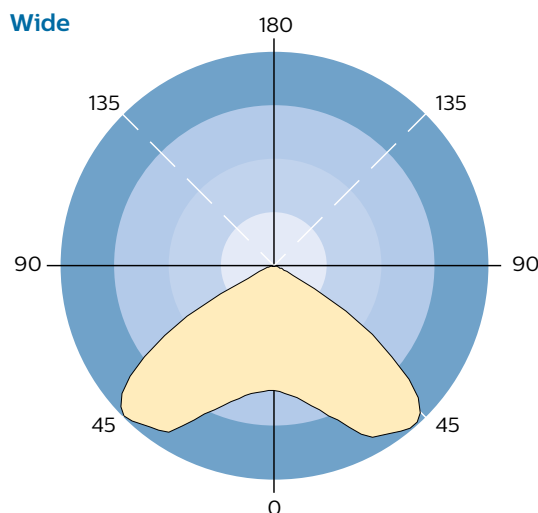
Narrow



Medium



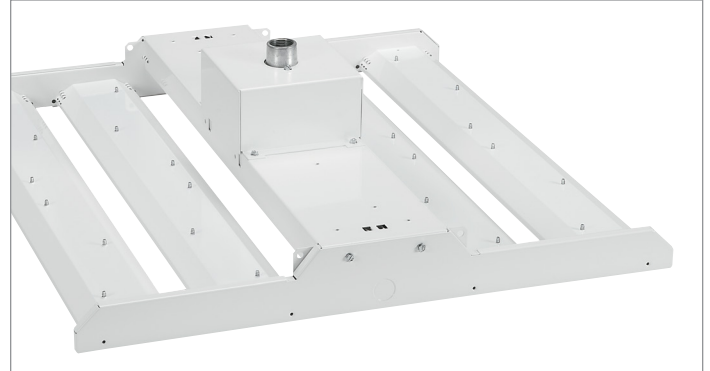
Wide



Explore your options

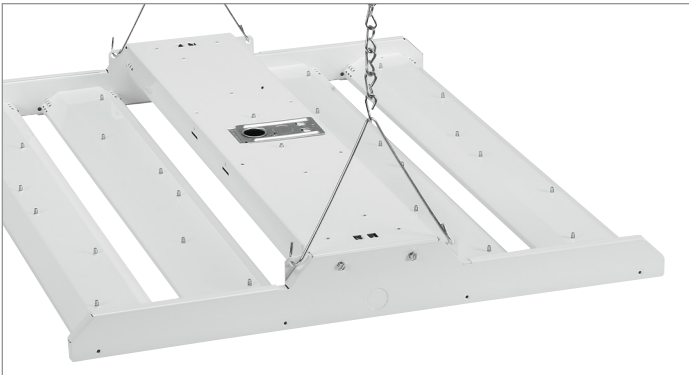
This comprehensive LED high bay family is ideal for illuminating warehouses, industrial areas, big box retail settings, along with many other applications.

A variety of mounting options are available, including chain, pendant, and cable. Dimming drivers are standard, and motion detectors are optional to give complete control over energy savings. Wire guards are also available.



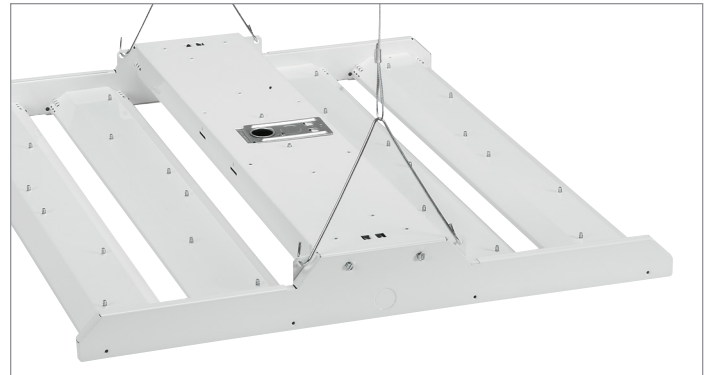
Pendant Hanger

FBX-PENHGR Pendant hanger
(not available for 36,000 or 45,000 lumen versions)



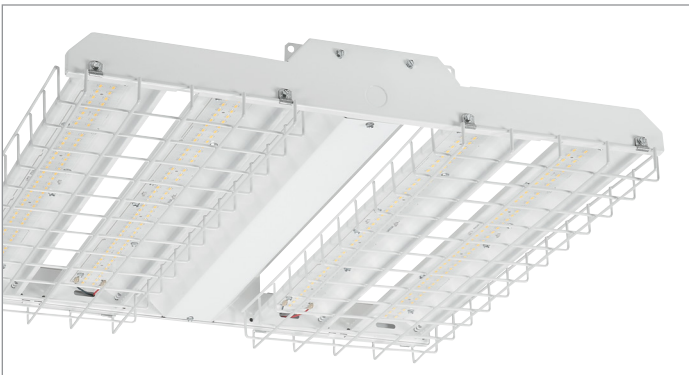
Chain Kit

FBX CHAIN KIT 54" Chains and V brackets



Cable Kit

FBX-GRIP5 5' Cables and V brackets
FBX-GRIP10 10' Cables and V brackets



Wire Guards

WG-FBX-2N Wire guard for 8,000 and 12,000 lumen versions
WG-FBX-2W Wire guard for 16,000, 20,000, and 24,000 lumen versions
WG-FBX-4 Wire guard for 36,000 and 45,000 lumen versions

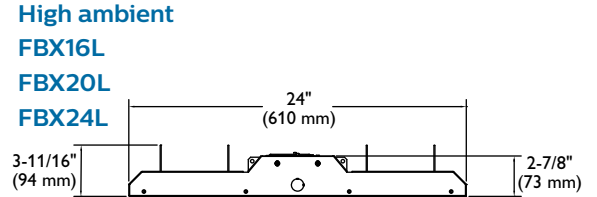
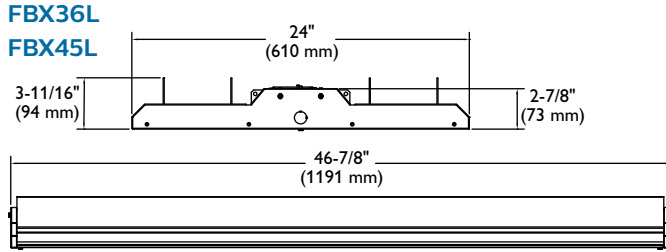
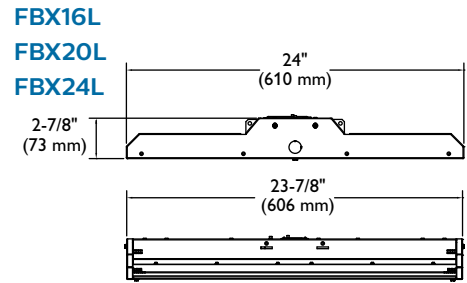
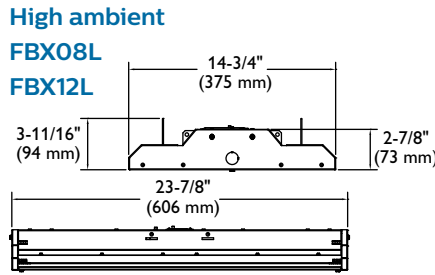
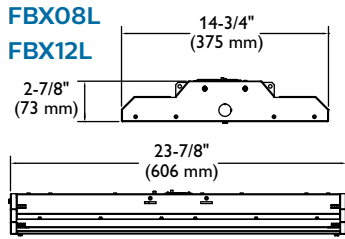


Emergency Option

EMLED Emergency battery (40°C max)
EMLEDC Emergency battery cold temp (40°C max)

Select your luminaire

FBX high bay
.....
Specifications
.....



Grainger SKU	Catalog Number	UPC	Description
48LU81	FBX24LL40-UNV	912400389502	FBX LED High Bay, 24000 lm, 4000K, 197W, UNV
48LU82	FBX16LL40-UNV	912400389505	FBX LED High Bay, 16000 lm, 4000K, 166W, UNV

Note: FBX08L, FBX12L, FBX20L, FBX36L, FBX45L via Grainger Sourcing, along with FBX08L, FBX12L, FBX16L, FBX20L and FBX24L high ambient models.

Ordering guide

example: FBX24LL40-UNV

Family	Lumens	Source	CCT	Voltage	Optics	Options
FBX		L				
FBX	08L 8,000 nominal delivered lumens 12L 12,000 nominal delivered lumens 16L 16,000 nominal delivered lumens 20L 20,000 nominal delivered lumens 24L 24,000 nominal delivered lumens 36L 36,000 nominal delivered lumens 45L 45,000 nominal delivered lumens	L LED	40 4000K (CRI 80) 50 5000K (CRI 80)	120 120V 208 208V 240 240V 277 277V 347 347V 480 480V UNV 120-277V	General Distribution (leave blank) N Narrow M Medium W Wide A Aisle	WP6 Wired 6' 16/3 Cord & NEMA Twist Lock Plug* WC6 Wired 6' 16/3 Cord WP6D Wired 6' 16/3 Cord & NEMA Twist Lock Plug for Line Voltage and Wired 6' 16/3 Cord & Plug for Dimming Control* WC6D Wired 6' 16/3 Cord for Line Voltage and Wired 6' 16/3 Cord for Dimming Control MD360 360° Motion Detector (ON/OFF) MD360D 360° Motion Detector (ON/DIM) EMLED Emergency Battery (40°C max) EMLEDC Emergency Battery Cold Temp (40°C max) 55 High Ambient (55°C – optional for 24,000 lumen or less, required for 36,000 and 45,000 lumens) LCA Clear Acrylic Lens LPA Prismatic Acrylic Lens LFA Frosted Acrylic Lens

* Must specify voltage.

Accessories (order separately)

- FBX-PENHGR** Pendant hanger (not available for 36,000 or 45,000 lm versions)
- FBX CHAIN KIT** 54" chains & V brackets
- FBX-GRIP5** 5' cables & V brackets
- FBX-GRIP10** 10' cables & V brackets
- WG-FBX-2N** Wire guard for 8,000 and 12,000 lumen versions
- WG-FBX-2W** Wire guard for 16,000, 20,000, and 24,000 lumen versions
- WG-FBX-4** Wire guard for 36,000 and 45,000 lumen versions

General Notes

All options factory installed. All accessories are field installed. DLC Listing for most variations. Please check the DLC Qualified Products List to confirm (www.designlights.org/QPL).

Many luminaire components, such as reflectors, refractors, lenses, sockets, lampholders, and LEDs are made from various types of plastics which can be adversely affected by airborne contaminants. If sulfur based chemicals, petroleum based products, cleaning solutions, or other contaminants are expected in the intended area of use, consult factory for compatibility.

Wiring Notes

Standard cords have 3 wires. Consult factory for other cord options.

Predicted L70 Lifetime

40°C Ambient > 100,000 hours
 40°C Ambient = 60,000 hours (for 8Klm & 16Klm)
 Based upon LED manufacturer's supplied LM-80 data and in-situ laboratory testing.





©2016 Koninklijke Philips N.V. All rights reserved. Philips reserves the right to make changes in specifications and/or to discontinue any product at any time without notice or obligation and will not be liable for any consequences resulting from the use of this publication.

GR-PDb-1402BR 01/16 philips.com/luminaires

AVAILABLE THROUGH
GRAINGER[®]
FOR THE ONES WHO GET IT DONE