

PHILIPS

Lamps

PL Series

Featuring ALTO technology



Low mercury, energy savings

Philips PL-T Amalgam Compact Fluorescent lamps offer designers, specifiers, and end-users new levels of efficiencies and versatility in sizes, configurations and application possibilities.

Temperature-independent lamp

- Amalgam technology provides high lumen output over a wide temperature range

Extended relamping cycles

- Reduced maintenance costs
- 16,000 hours rated average life¹ (3 hours per start)
- 20,000 hours rated average life² (12 hours per start)

Application flexibility and energy savings

- PL-T amalgam 4-pin lamps may be used with electronic ballasts.

More design flexibility

- 25% shorter than PL-C lamps

Better for the environment

- Only has 1.4mg of mercury with ALTO lamp technology



TCLP
Compliant*

† This lamp is better for the environment because of its reduced mercury content. All Philips ALTO lamps give you end-of-life options which can simplify and reduce your lamp disposal costs depending on your state and local regulations.

* The EPA's TCLP test is used to determine if an item can be managed as hazardous or non-hazardous waste. Philips ALTO and ALTO II lamps are TCLP Compliant and can be managed as non-hazardous waste.

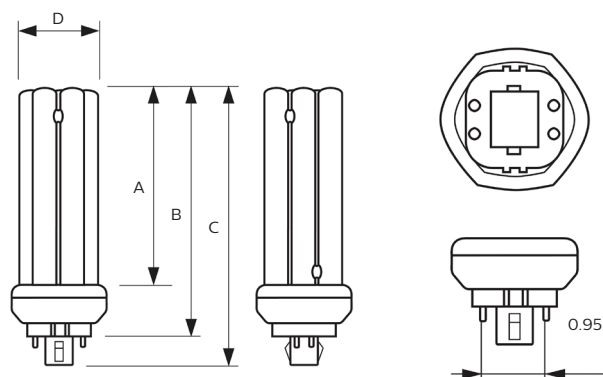
Philips PL-T Amalgam 4-Pin Compact Fluorescent Lamps featuring ALTO Lamp Technology

Product Number	Description ⁴	Generic Designation	Nom. Watts	Base	Pkg. Qty.	Lamp Current (mA)	Volts	Approx Initial Lumens ³	M.O.L. (in)	Rated Avg. Life		Color Temp. (Kelvin)	CRI
										3-hr start ¹	12-hr start ²		
45819-0	PL-T 18W/827/A/4P/ALTO	CFTR18W/GX24q/827	18	GX24q-2	10	210	80	1200	4 3/8	16,000	20,000	2700	82
45821-6	PL-T 18W/830/A/4P/ALTO	CFTR18W/GX24q/830	18	GX24q-2	10	210	80	1200	4 3/8	16,000	20,000	3000	82
45822-4	PL-T 18W/835/A/4P/ALTO	CFTR18W/GX24q/835	18	GX24q-2	10	210	80	1200	4 3/8	16,000	20,000	3500	82
45823-2	PL-T 18W/841/A/4P/ALTO	CFTR18W/GX24q/841	18	GX24q-2	10	210	80	1200	4 3/8	16,000	20,000	4100	82
45824-0	PL-T 26W/827/A/4P/ALTO	CFTR26W/GX24q/827	26	GX24q-3	10	300	80	1800	5	16,000	20,000	2700	82
45825-7	PL-T 26W/830/A/4P/ALTO	CFTR26W/GX24q/830	26	GX24q-3	10	300	80	1800	5	16,000	20,000	3000	82
45826-5	PL-T 26W/835/A/4P/ALTO	CFTR26W/GX24q/835	26	GX24q-3	10	300	80	1800	5	16,000	20,000	3500	82
45827-3	PL-T 26W/841/A/4P/ALTO	CFTR26W/GX24q/841	26	GX24q-3	10	300	80	1800	5	16,000	20,000	4100	82
45828-1	PL-T 32W/827/A/4P/ALTO	CFTR32W/GX24q/827	32	GX24q-3	10	320	101	2400	5 1/2	16,000	20,000	2700	82
45829-9	PL-T 32W/830/A/4P/ALTO	CFTR32W/GX24q/830	32	GX24q-3	10	320	101	2400	5 1/2	16,000	20,000	3000	82
45830-7	PL-T 32W/835/A/4P/ALTO	CFTR32W/GX24q/835	32	GX24q-3	10	320	101	2400	5 1/2	16,000	20,000	3500	82
45831-5	PL-T 32W/841/A/4P/ALTO	CFTR32W/GX24q/841	32	GX24q-3	10	320	101	2400	5 1/2	16,000	20,000	4100	82
14900-5	PL-T 42W/827/A/4P/ALTO	CFTR42W/GX24q/827	42	GX24q-4	10	320	135	3200	6 3/10	16,000	20,000	2700	82
14901-3	PL-T 42W/830/A/4P/ALTO	CFTR42W/GX24q/830	42	GX24q-4	10	320	135	3200	6 3/10	16,000	20,000	3000	82
14902-1	PL-T 42W/835/A/4P/ALTO	CFTR42W/GX24q/835	42	GX24q-4	10	320	135	3200	6 3/10	16,000	20,000	3500	82
14903-9	PL-T 42W/841/A/4P/ALTO	CFTR42W/GX24q/841	42	GX24q-4	10	320	135	3200	6 3/10	16,000	20,000	4100	82
14631-6	PL-T 57W/830/A/4P	CFTR57W/GX24q/830	57	GX24q-5	10	320	175	4300	7 4/5	16,000	20,000	3000	82
14632-4	PL-T 57W/835/A/4P	CFTR57W/GX24q/835	57	GX24q-5	10	320	175	4300	7 4/5	16,000	20,000	3500	82
14633-2	PL-T 57W/841/A/4P	CFTR57W/GX24q/841	57	GX24q-5	10	320	175	4300	7 4/5	16,000	20,000	4100	82

1. Average life under specified test conditions with lamps turned off and restarted no more frequently than once every 3 operating hours. Lamp life is appreciably longer if lamps are started less frequently.
 2. Average life under engineering data with lamps turned off and restarted once every 12 operating hours.
 3. Approximate initial lumens. The lamp lumen output is based upon lamp performance after 100 hours of operating life under standard laboratory conditions.
 4. For horizontal operation, install lamp with etch facing down.
- This lamp is better for the environment because of its reduced mercury content. All Philips ALTO lamps give you end-of-life options which can simplify and reduce your lamp disposal costs depending on your state and local regulations.

Lamp Dimensions

	A	B	C	D
PL-T 18W	2.8"	3.8"	4.4"	1.6"
PL-T 26W	3.4"	4.4"	5"	1.6"
PL-T 32W	3.9"	4.8"	5.5"	1.6"
PL-T 42W	4.8"	5.7"	6.3"	1.6"
PL-T 57W	6.2"	7.2"	7.8"	1.6"



© 2016 Koninklijke Philips N.V. All rights reserved.
Philips reserves the right to make changes in specifications and/or to discontinue any product at any time without notice or obligation and will not be liable for any consequences resulting from the use of this publication.



Philips Lighting North America Corporation
200 Franklin Square Drive, Somerset, NJ 08873
Tel. 855-486-2216

Philips Lighting Canada Ltd.
281 Hillmount Rd, Markham, ON, Canada L6C 2S3
Tel. 800-668-9008